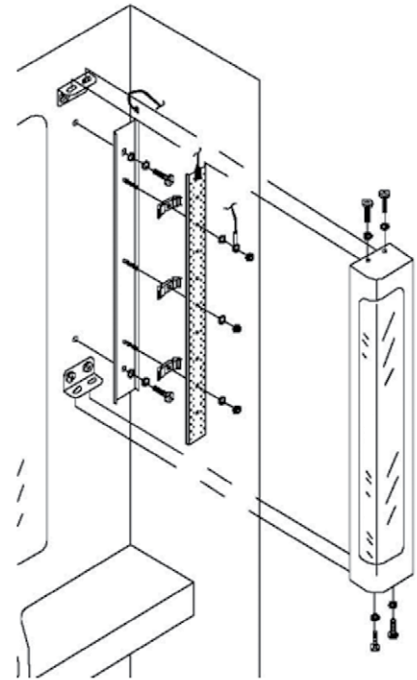


E99831-1 LED lavatory light

Reduce power draw with LED lavatory lighting – Rockwell Collins supplies an LED lavatory light assembly to replace the existing compact fluorescent tube light assembly and ballast. The LED lavatory light assembly consists of an adapter plate assembly (to be mounted using existing hardware), LED light assembly, three standoffs, and mounting hardware. In addition, the existing lens and its hardware are re-usable. The LED light assembly is easily mounted and wired into the existing location and is operated at 50% illumination until the lavatory is occupied – at which time, 100% illumination will be activated with the light switch.



SPECIFICATIONS

Applicability	Manpower	Kit contents	Weight	Certification	Delivery
DHC-8-400	8 man-hours, including access and close-out	<ul style="list-style-type: none"> > Adapter plate assembly > LED light assembly > Standoff (3) > Installation hardware > Parts list 	Approximately equivalent	<ul style="list-style-type: none"> > Transport Canada: SA10-25 > FAA: ST02949NY > EASA: 10032519 	F.O.B. Winnipeg, Canada

FEATURES & BENEFITS

- > Greatly extended service life (5,000 hours plus)
- > Connected to existing 28VDC aircraft power
- > Offers stepped dimming capability with two levels of intensity, 50% or 100%
- > Can be connected directly into 28VDC aircraft power
- > Reduced power consumption (13W fluorescent to 10.9W LED)

Building trust every day.

Rockwell Collins delivers innovative aviation and high-integrity solutions that transform commercial and government customers' futures worldwide. Backed by a global network of service and support, we are deeply committed to putting our solutions to work for you, whenever and wherever you need us. In this way, working together, we build trust. Every day.

For more information, contact:

Rockwell Collins
Lighting & Engineered Solutions
25 Dunlop Avenue,
Winnipeg, MB Canada R2X 2V2
ph: +1.204.783.5402
fax: +1.204.772.7568
rockwellcollins.com



Building trust every day