

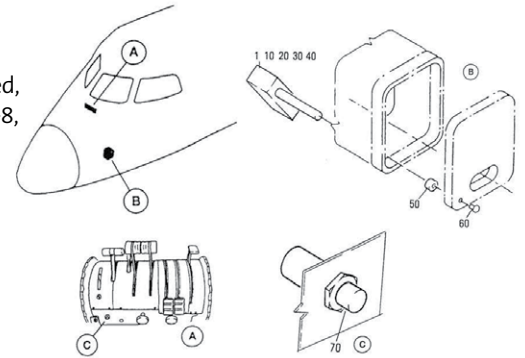
C46331-1/-3

Improved take-off configuration warning system

Increase dispatch reliability – Rockwell Collins’ improved take-off configuration warning system helps reduce attempts to take off with the nose landing gear down latch safety mechanism engaged.

DHC-8-100 – This modification provides a test switch to simulate engine take-off throttle position. If the aircraft is not correctly configured for take-off when the test switch is pressed, the warning horn will activate. As an additional parameter, not included on any series Dash-8, the nose landing gear down latch safety mechanism position is monitored by means of a micro-switch. If the mechanism is not stowed and locked to allow free movement of the nose landing gear, the warning horn will activate when the test switch is pressed.

DHC-8-200/-300 – Since the DHC-8-200 and -300 come equipped with a means to check take-off configuration at low engine power settings, a partial installation kit provides an upgrade to include the monitoring of down latch safety mechanism position.



SPECIFICATIONS

Applicability	Manpower	Kit contents	Weight	Certification	Delivery
All DHC-8-100/-200/-300 aircraft	Approximately 20 man-hours (excludes access and closure)	<p>DHC-8-100</p> <ul style="list-style-type: none"> > Throttle console mounted test switch > Safety latch housing mounted micro-switch > Installation fasteners > Wiring kit <p>DHC-8-200/-300</p> <ul style="list-style-type: none"> > Safety latch housing mounted micro-switch > Installation fasteners > Wiring kit 	Increase of 0.5 lb.	<ul style="list-style-type: none"> > Transport Canada: SA00-70 > FAA: SA01249NY > UK CAA: AAN No. 27606 	F.O.B. Winnipeg, Canada

FEATURES & BENEFITS

- > Increased dispatch reliability
- > Decreased canceled take-off clearance

KIT OPTIONS

- > C46331-1 Installation kit (-100)
- > C46331-3 Installation kit (-200/-300)

Building trust every day.

Rockwell Collins delivers innovative aviation and high-integrity solutions that transform commercial and government customers’ futures worldwide. Backed by a global network of service and support, we are deeply committed to putting our solutions to work for you, whenever and wherever you need us. In this way, working together, we build trust. Every day.

For more information, contact:

Rockwell Collins
 Lighting & Engineered Solutions
 25 Dunlop Avenue,
 Winnipeg, MB Canada R2X 2V2
 ph: +1.204.783.5402
 fax: +1.204.772.7568
 rockwellcollins.com



Building trust every day