



MINIM® MEMS INERTIAL MEASUREMENT UNIT (IMU)

COST-EFFECTIVE AND ULTRA-RELIABLE

A next-generation IMU that delivers high performance in a small size

The Collins MinIM® micro electro-mechanical system (MEMS) inertial measurement unit (IMU) is a small form factor, high-performance MEMS IMU that incorporates the latest capacitive technology and is less than one-quarter the size and weight of established production MEMS IMUs – at under 1 cubic inch in volume.

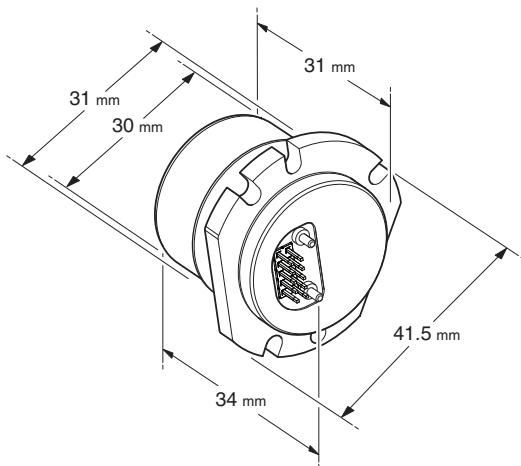
Its small form factor and low cost make MinIM® ideal for applications such as guided weapons, flight control systems, anti-tank weapons, small UAVs and troop navigation units.

Collins Aerospace has a long and respected heritage in the design and development of inertial sensors and today specializes in MEMS products.



COMPANY PEDIGREE

- First MEMS IMUs in military service
- Selected by over 60 customers worldwide – over 130,000 MEMS products delivered
- Used in missile and weapons navigation, platform stabilization and navigation
- Rigorous performance and simulated aging ensures conformance to specification throughout the life cycle



PERFORMANCE

Low-cost IMU

- Small form factor

PRODUCT BENEFITS

- Full 6 DoF inertial measurement unit
- Latest capacitive technology
- Excellent performance in cubic inch form
- Gun-hard option, survivable to 16,000 g
- Modular architecture
- Low noise
- ITAR free

KEY CHARACTERISTICS

Volume	≤16.5 cm ³ (without mount)
Mass	≤70 grams
Power consumption	1.5 W
Operating temperature	-40° C to 72° C (extended -55° C to 85° C)
Start-up time	500 ms
Built-in-test	Continuous
Gyro operating range	Axis 1 ±1000°/s, Axis 2 ±500°/s
Accelerometer operating range	±30 g
Supply voltage	4.85 to 5.25 V
Electrical interface	PC

TYPICAL PERFORMANCE

GYRO

ACCELEROMETERS (±30G)

Bias repeatability (1s Σ)*	240°/hr	14 mg
Bias instability (max)	15°/h	≤1.5 mg
Random walk (max)	<3°/√hr	<1m/s/√hr
Scale factor error (1s Σ)*	±1833ppm	±1 σ ppm or ±1000 ppm
Bandwidth (-90°)	Configurable	Configurable

Alternative Products

IMU15™



PERFORMANCE

Low cost IMU

- Small form factor
- Under 1 cubic inch volume
- Non-licensable

SiIMU02®



PERFORMANCE

Medium performance

- Gun-hard options available (20,000g)

Specifications subject to change without notice.

This document does not contain any export controlled data.



COLLINS AEROSPACE

+44(0)1752 69 56 95
 fax: +44(0)1752 69 55 00
 gnc.uk@collins.com
 collinsaerospace.com