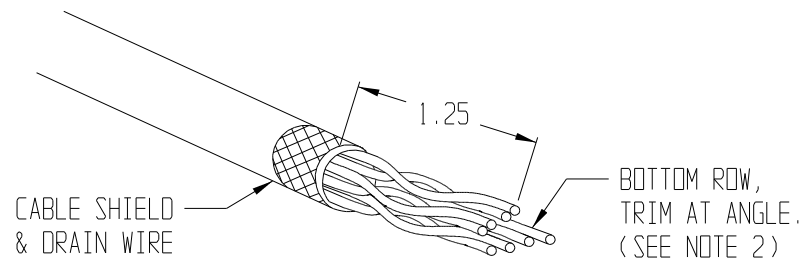


THIS DOCUMENT AND THE INFORMATION IT CONTAINS IS THE PROPERTY OF EMTEQ INC. AND MAY NOT BE USED IN ANY WAY WITHOUT THE EXPRESS WRITTEN CONSENT OF EMTEQ INC.

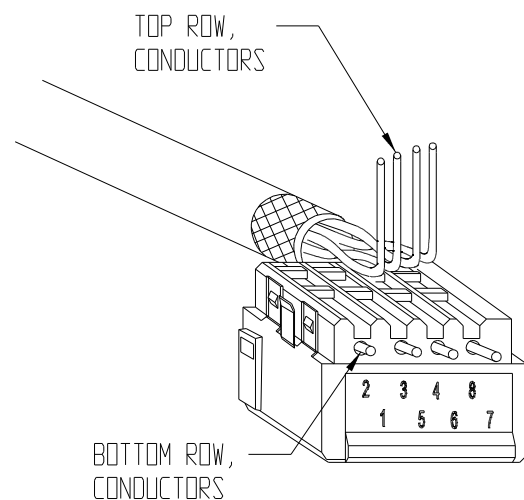
REV	REVISION	DATE	ER #	INTL
IR	INITIAL RELEASE	06/14/2006	5413	LRL

# ES-106-2 CABLE ASSEMBLY INSTRUCTION:

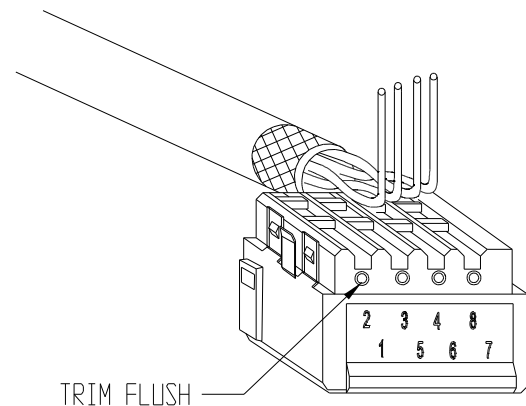


1.) REMOVE 1.25" (31.8mm) OF CABLE JACKET AND UNTWIST WIRE PAIRS. DRESS SHIELD AND DRAIN WIRE (IF PRESENT) BACK OVER CABLE JACKET.

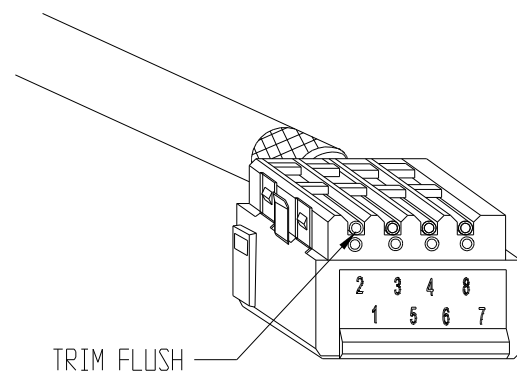
2.) STRAIGHTEN CONDUCTORS AND ARRANGE ACCORDING TO APPROPRIATE WIRING DIAGRAM. TRIM OFF BOTTOM ROW OF CONDUCTORS AT A SLIGHT ANGLE TO FACILITATE EASIER LOADING.



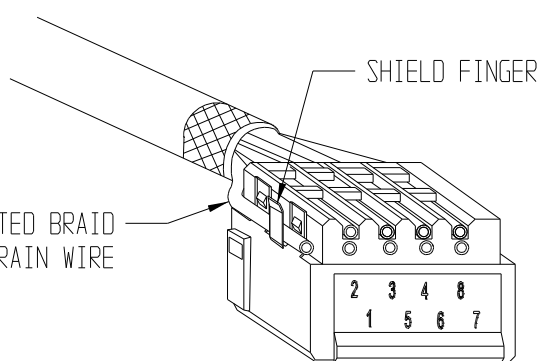
3.) BEND TOP ROW OF CONDUCTORS BACK 90 DEGREES. LOAD BOTTOM ROW OF CONDUCTORS INTO LOAD BAR.



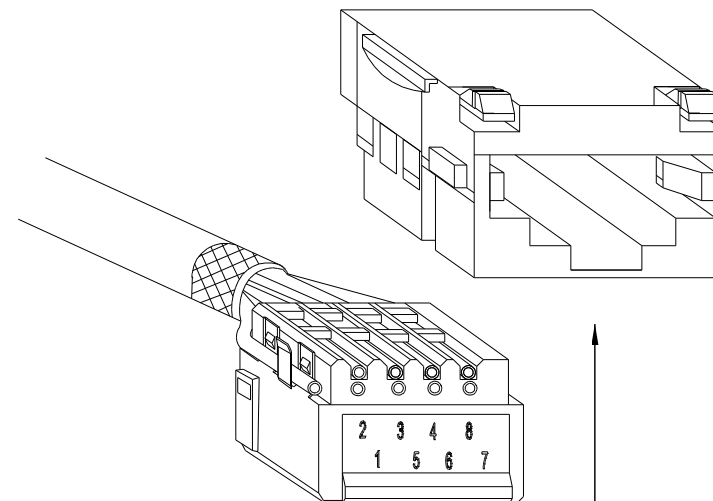
4.) TRIM BOTTOM ROW CONDUCTORS FLUSH WITH LOADBAR.



5.) LACE TOP ROW OF CONDUCTORS INTO LOADBAR. TRIM TOP ROW OF CONDUCTORS FLUSH.

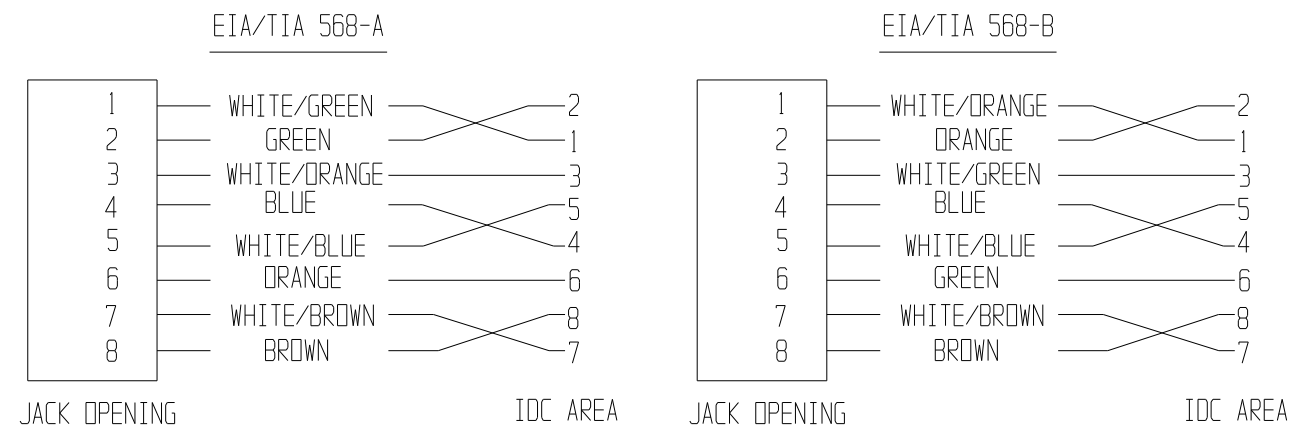


6.) LAY DRAIN WIRE OR TWISTED BRAID BETWEEN THE FINGERS OF THE LOADBAR SHIELD.



7.) INSERT LOADED LOADBAR INTO THE HOUSING.

## SHIELDED CABLEJACK WIRE DIAGRAM



MATERIAL	SCALE x/x	SIZE B	DATE 06/12/2006	<b>EMTEQ</b> 5349 S. EMMER DRIVE NEW BERLIN, WI 53151 (888) 679-6170
FINISH	TOLERANCES UNLESS NOTED .XX = ± .03 .XXX = ± .010 ANGLES ± 1°		DRAWN L. LUGO DESIGNED	
CAD GENERATED AND MAINTAINED DRAWING -- DO NOT SCALE			CHECKED 06/13/2006 T. FORST	CABLE STRIPPING INSTRUCTIONS
NOTICE -- ALL CHANGES TO THIS DOCUMENT ARE CONTROLLED BY EMTEQ INC. / UNLESS OTHERWISE STATED, ALL REPRODUCTIONS OF THIS DOCUMENT ARE NOT CONTROLLED BY EMTEQ INC.			APPROVED 06/13/2006	
CAGE CODE 06WH3    DWG # ES-106-2				SHT 1 OF 1

FILE: ES-106-2.dpt