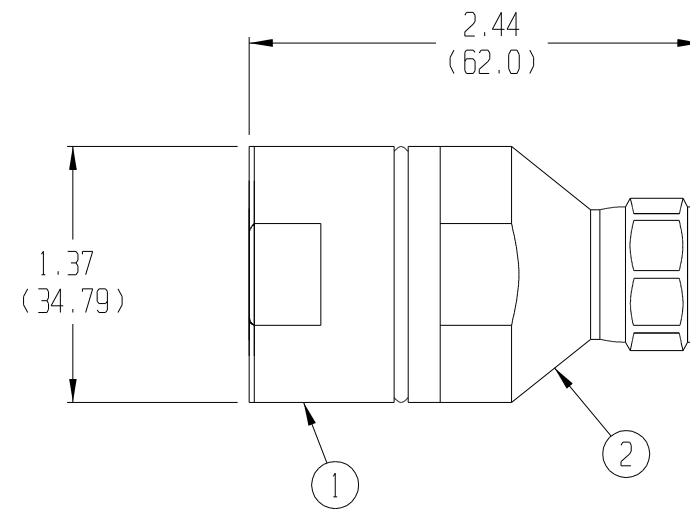


THIS DOCUMENT AND THE INFORMATION IT CONTAINS IS THE PROPERTY OF EMTEQ INC. AND MAY NOT BE USED IN ANY WAY WITHOUT THE EXPRESS WRITTEN CONSENT OF EMTEQ INC.

REV	REVISION	DATE	ER #	INTL
IR	INITIAL RELEASE	01/04/2010	10439	LLP
AO1	CHANGE BOM AND ADD ASSY INSTRUCTIONS	03/23/2010	10678	VML

NOTES:

1) REF ASSY INSTRUCTIONS ES-105-66




SPECIFICATIONS:

- 1) ELECTRICAL
 - FREQUENCY: 0 TO 6.9 GHz
 - IMPEDANCE: 50 OHM
 - VSWR: 1.15:1 UP TO 3 GHz
 - WORKING VOLTAGE: 1000 VOLTS (RMS MAX)

- 2) MECHANICAL
 - CABLE RETENTION: >450 LBS.
 - DIELECTRIC MATERIAL: TEFLON
 - COUPLING NUT FINISH: NICKEL PLATED BRASS
 - BODY FINISH: SILVER PLATED BRASS
 - GASKET MATERIAL: SILICONE RUBBER
 - CENTER CONTACT FINISH: SILVER PLATED BERYLLIUM COPPER
 - OTHER METAL PARTS: SILVER PLATED BRASS

- 3) DESIGNED IN ACCORDANCE WITH MIL-C-39012 STANDARDS.

QTY.	PART NO.	DESCRIPTION	ITEM
1	44-261-1BS	CONNECTOR BODY	2
1	17-188-2BS	SCREW LOCK	1
PARTS LIST			

MATERIAL	SCALE	SIZE B	DATE 01/04/2010	 5349 S. EMMER DRIVE NEW BERLIN, WI 53151 (888) 679-6170
	TOLERANCES UNLESS NOTED .XX = ± .03 .XXX = ± .010 ANGLES ± 1°		DRAWN L.PACIGA DESIGNED	
FINISH	CAD GENERATED AND MAINTAINED DRAWING -- DO NOT SCALE		CHECKED <i>[Signature]</i> 03/23/2010 APPROVED T.FORST 03/23/2010	PLUG, TNC MALE, STRAIGHT CONNECTOR
			CAGE CODE 06WH3 DWG # TMS900-1	SHT 1 OF 1 FILE: TMS900-1.ppt

NOTICE -- ALL CHANGES TO THIS DOCUMENT ARE CONTROLLED BY EMTEQ INC / UNLESS OTHERWISE STATED, ALL REPRODUCTIONS OF THIS DOCUMENT ARE NOT CONTROLLED BY EMTEQ INC