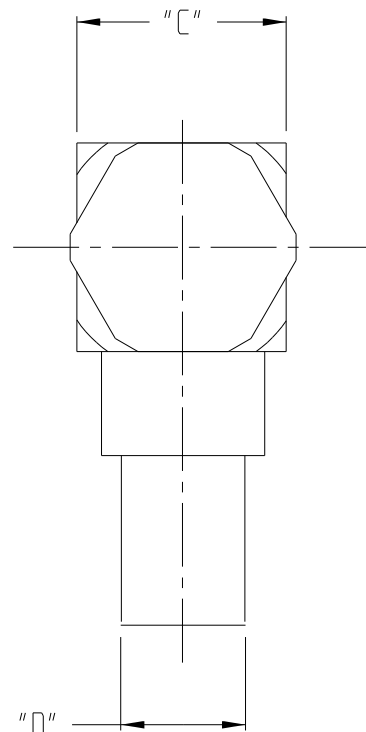
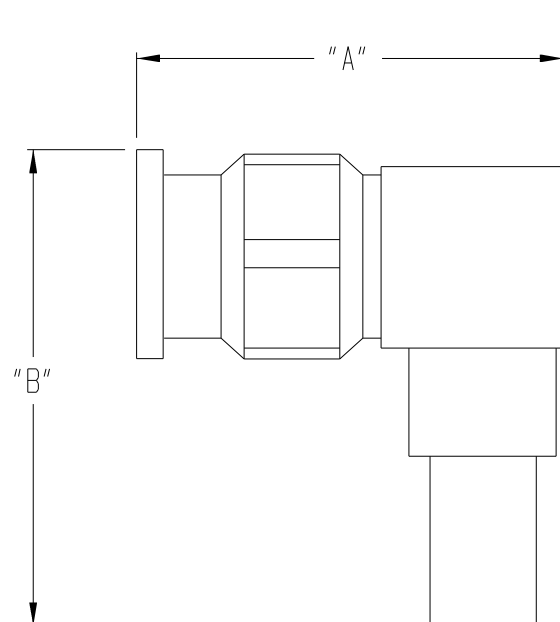


THIS DOCUMENT AND THE INFORMATION IT CONTAINS IS THE PROPERTY OF EMTEQ INC. AND MAY NOT BE USED IN ANY WAY WITHOUT THE EXPRESS WRITTEN CONSENT OF EMTEQ INC.

REV	REVISION	DATE	ER #	INTL
H	CHANGE ASSY INSTRUCTIONS 3 PLCS	12/07/2007	7840	VML
J	CLARIFY CALLOUT OF GOLD CRIMP TUBE	12/13/2007	7849	VML
K	ADD 225-1 TO ASSEMBLY PARTS LIST	04/28/2009	9659	VML
L	CHANGE P/N FOR ITEM 5, HEATSHRINK	10/27/2009	10252	VML
M	ADD SMR340-1 TO PARTS LIST	03/25/2010	10683	VML

DIMENSIONAL INFORMATION

PART NO.	"A"	"B"	"C"	"D"	CABLE ASS'Y.(REF)
SMR130-1	0.70 (17.8)	0.70 (17.8)	0.38 (9.7)	0.22 (5.6)	ES-105-27
SMR165-1	0.85 (21.6)	1.11 (28.2)	0.38 (9.7)	0.25 (6.4)	ES-105-27
SMR195-1	0.85 (21.6)	1.11 (28.2)	0.38 (9.7)	0.25 (6.4)	ES-105-2
SMR205-1	0.85 (21.6)	1.11 (28.2)	0.38 (9.7)	0.30 (7.6)	ES-105-27
SMR225-1	0.85 (21.6)	1.11 (28.2)	0.38 (9.7)	0.30 (7.6)	ES-105-2
SMR240-1	0.84 (21.3)	0.94 (23.9)	0.38 (9.7)	0.30 (7.6)	ES-105-2
SMR295-1	1.15 (29.2)	1.31 (33.3)	0.38 (9.7)	0.39 (9.9)	ES-105-5
SMR340-1	1.15 (29.2)	1.31 (33.3)	0.38 (9.7)	0.39 (9.9)	ES-105-5



SPECIFICATIONS:

1) ELECTRICAL

IMPEDANCE: 50 OHMS
 FREQUENCY RANGE: 0 TO 12.4 GHZ
 VOLTAGE RATING: 335 V RMS
 DIELECTRIC WITHSTANDING VOLTAGE: 1,000 V RMS
 INSULATION RESISTANCE: 5000 MEGOHMS MIN

2) MECHANICAL

TERMINATION STYLE: INNER CONTACT - SOLDER
 CRIMP TUBE - CRIMP
 TEMPERATURE RANGE: -65° C TO + 165° C
 FINISHES:
 BODY FINISH: PROPRIETARY NICKEL/STAINLESS STEEL
 CONTACT FINISH: GOLD PLATED PER MIL-G-45204

DESIGNED IN ACCORDANCE WITH MIL-C-39012 STANDARDS.

QTY	UNIT	PART NO.	DESCRIPTION	ITEM
1	1	10-100-121	O-RING	6
		10-100-120		
1	1	ATUM 1/2 BLK	DURABLE HEATSHRINK	5
		29-174-2		
1		29-100-68	CRIMP TUBE	4
		29-100-12		
		29-140-4		
	1	29-141-2		
		29-140-2		
		29-138-2		
		29-137-2		
		29-100-63		
		29-100-4/29-100-74		
1		09-225-11		
		02-1925-12		
	1	09-225-1		
		02-904-02-745		
		09-135-2		
		09-135-1		
1	1	07-164-2	CAP	2
		15-469-17	INSULATOR (REAR)	1
1	1	15-469-5		
		15-469-10		
		15-469-3		
		15-469-4		

SMR 340-1	295-1	240-1	225-1	205-1	195-1	165-1	130-1	PART NUMBER	DESCRIPTION	ITEM
-----------	-------	-------	-------	-------	-------	-------	-------	-------------	-------------	------

MATERIAL FINISH	SCALE	SIZE B	DATE 07/09/2001	<p>5349 SOUTH EMMER DRIVE NEW BERLIN, WI 53151 (888) 679-6170</p>
	TOLERANCES UNLESS NOTED .XX = ± .03 .XXX = ± .010 ANGLES ± 1° <small>CAD GENERATED AND MAINTAINED DRAWING -- DO NOT SCALE</small>			
PLUG, SMA, 90° CONNECTOR				CAGE CODE 06WH3
DWG # SMRXXX-1				SHT 1 OF 1

NOTICE -- ALL CHANGES TO THIS DOCUMENT ARE CONTROLLED BY EMTEQ INC. / UNLESS OTHERWISE STATED, ALL REPRODUCTIONS OF THIS DOCUMENT ARE NOT CONTROLLED BY EMTEQ INC.