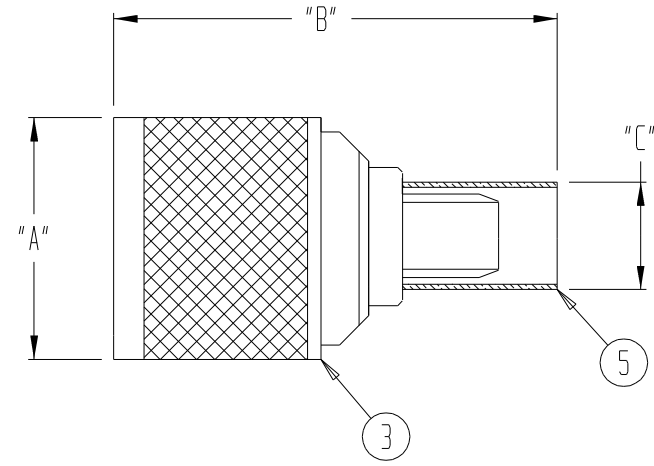


THIS DOCUMENT AND THE INFORMATION IT CONTAINS IS THE PROPERTY OF EMTEQ INC. AND MAY NOT BE USED IN ANY WAY WITHOUT THE EXPRESS WRITTEN CONSENT OF EMTEQ INC.

REV	REVISION	DATE	ER #	INTL
K02	"C" DIM FOR NMS400-1 WAS 0.39(9.9)	04/19/2010	10774	ASL

DIMENSIONAL INFORMATION

PART NO.	"A"	"B"	"C"	ASSEMBLY INSTRUCTIONS
NMS130-1	0.80 (20.3)	1.50 (38.1)	0.22 (5.6)	ES-105-24
NMS165-1	0.80 (20.3)	1.44 (36.6)	0.25 (6.4)	ES-105-4
NMS195-1	0.80 (20.3)	1.44 (36.6)	0.25 (6.4)	ES-105-4
NMS205-1	0.80 (20.3)	1.44 (36.6)	0.30 (7.6)	ES-105-4
NMS225-1	0.80 (20.3)	1.44 (36.6)	0.30 (7.6)	ES-105-4
NMS240-1	0.80 (20.3)	1.44 (36.6)	0.30 (7.6)	ES-105-4
NMS295-1	0.80 (20.3)	1.67 (42.4)	0.39 (9.9)	ES-105-50
NMS340-1	0.80 (20.3)	1.67 (42.4)	0.39 (9.9)	ES-105-50
NMS400-1	0.80 (20.3)	1.67 (42.4)	0.48 (12.2)	ES-105-49
NMS410-1	0.80 (20.3)	1.74 (44.2)	0.56 (14.2)	ES-105-6
NMS488-1	0.80 (20.3)	1.84 (46.7)	0.61 (15.5)	ES-105-29
NMS500-1	0.80 (20.3)	1.73 (43.9)	0.56 (14.2)	ES-105-6



SPECIFICATIONS:

- ELECTRICAL**
 IMPEDANCE: 50 OHMS
 FREQUENCY RANGE: 0 TO 11 GHZ
 VOLTAGE RATING: 1000 V RMS
 DIELECTRIC WITHSTANDING VOLTAGE: 2,500 V RMS
 INSULATION RESISTANCE: 5000 MEGOHMS MIN
- MECHANICAL**
 TERMINATION STYLE: INNER CONTACT - SOLDER
 OUTER CONTACT - CRIMP
 TEMPERATURE RANGE: -65° C TO + 165° C
 FINISHES:
 BODY FINISH: PROPRIETARY NICKEL
 CONTACT FINISH: GOLD PLATED PER MIL-G-45204
- CONNECTOR WEIGHT: 1.79 OZ**

DESIGNED IN ACCORDANCE WITH MIL-C-39012 STANDARDS.

NMS	500-1	488-1	410-1	400-1	340-1	295-1	240-1	225-1	205-1	195-1	165-1	130-1	PART NUMBER	DESCRIPTION	ITEM
													29-174-4	DURABLE HEATSHRINK	6
													29-174-2		
													ATUM 1/2 BLK	CRIMP TUBE	5
													29-142-4		
													29-142-2		
													29-100-12		
													29-100-74		
													29-100-4		
													29-141-2		
													29-140-2		
													29-140-4		
													29-138-2		
													29-137-2		
													29-100-92	CRIMP TUBE (INNER)	4
													29-100-68		
													29-100-63		
													29-100-56		
													29-109-13		
													46-238-2bs		
													09-156-1		
													09-152-5		
													09-152-4		
													09-153-2		
													09-152-3		
													09-152-2		
													09-155-1		
													09-152-2		
													09-152-1		
													06-683-6	BODY	3
													06-683-4		
													06-446-8		
													06-446-20		
													06-446-10		
													06-446-7		
													06-446-15		
													15-345-7		
													15-469-17		
													15-345-3		
													15-469-10	INSULATOR (REAR)	1
													15-469-8		
													15-469-5		
													15-469-4		
													15-469-3		

MATERIAL	SCALE	SIZE	DATE	 5349 S. EMMER DRIVE NEW BERLIN, WI 53151 (888) 679-6170
FINISH	TOLERANCES UNLESS NOTED	B	8/3/99	
	.XX = ± .03		DRAWN J. HERMAN	
	.XXX = ± .010		DESIGNED	
	ANGLES ± 1°		CHECKED <i>[Signature]</i> 04/23/2010	
	CAD GENERATED AND MAINTAINED DRAWING -- DO NOT SCALE		APPROVED B. KOJIS 04/23/2010	PLUG, TYPE 'N', STRAIGHT CONNECTOR NMSXXX-1
			CAGE CODE DWG # 06WH3	
NOTICE -- ALL CHANGES TO THIS DOCUMENT ARE CONTROLLED BY EMTEQ INC. / UNLESS OTHERWISE STATED, ALL REPRODUCTIONS OF THIS DOCUMENT ARE NOT CONTROLLED BY EMTEQ INC.				SHT 1 OF 1

FILE: NMSXXX.prt