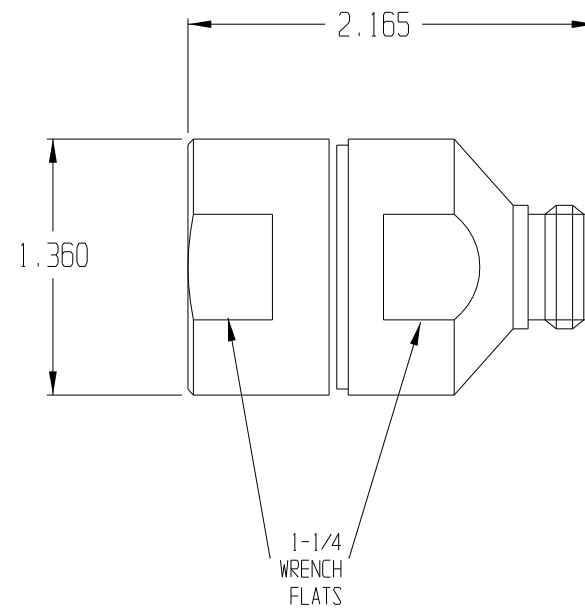


THIS DOCUMENT AND THE INFORMATION IT CONTAINS IS THE PROPERTY OF EMTEQ INC. AND MAY NOT BE USED IN ANY WAY WITHOUT THE EXPRESS WRITTEN CONSENT OF EMTEQ INC.

REV	REVISION	DATE	ER #	INTL
IR	INITIAL RELEASE	04/22/2004	3831	VML



SPECIFICATIONS:

- 1) ELECTRICAL
 - IMPEDANCE: 50 OHMS
 - VOLTAGE: 1000 V RMS (MAX)
 - VSWR: 1.15:1 (MAX) UP TO 3 GHz
 - INSERTION LOSS: 0.10 X Fghz
- 2) MECHANICAL
 - CENTER CONTACT: SILVER (50μ") PLATED BRASS
 - OUTER CONTACT: SILVER (50μ") PLATED BRASS
 - BODY: SILVER (50μ") PLATED BRASS
 - BACKNUT: NICKEL (50μ") PLATED COPPER
 - DIELECTRIC: TEFLON PTFE
 - GASKETS: NITRILE RUBBER
 - ATTACHMENT: BRAID CLAMP

MATERIAL	SCALE	SIZE B	DATE 04/22/2004	EMTEQ S84 W18693 ENTERPRISE DRIVE MUSKEGO, WI 53150 (888) 679-6170
	TOLERANCES UNLESS NOTED +3.0"/-0.0"		DRAWN V. LEX DESIGNED	
FINISH	CAD GENERATED AND MAINTAINED DRAWING -- DO NOT SCALE		CHECKED <i>[Signature]</i> 04/28/2004	N(F), CLAMP, RF CONNECTOR
	NOTICE -- ALL CHANGES TO THIS DOCUMENT ARE CONTROLLED BY EMTEQ INC / UNLESS OTHERWISE STATED, ALL REPRODUCTIONS OF THIS DOCUMENT ARE NOT CONTROLLED BY EMTEQ INC		APPROVED <i>[Signature]</i> 04/28/2004	
				SHT 1 OF 1

FILE: NFS900-1.prt