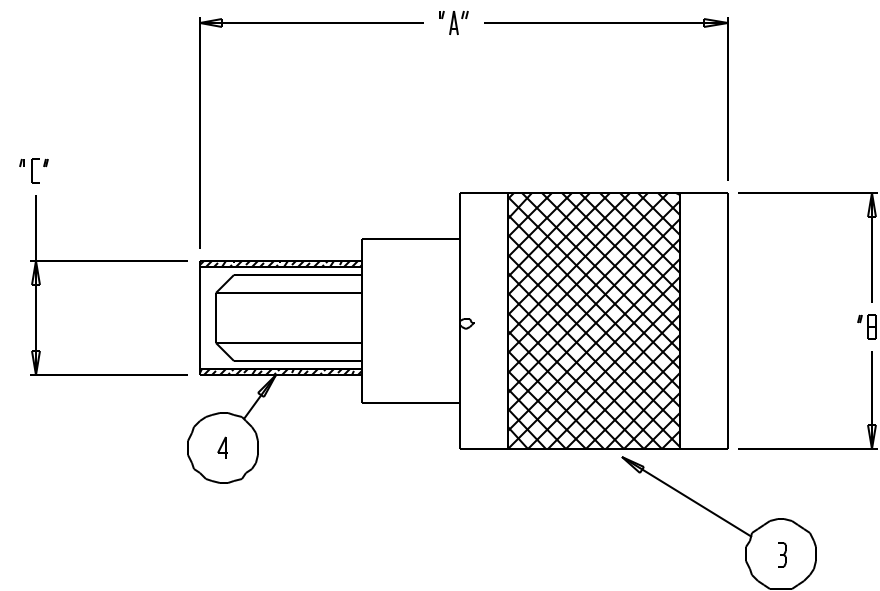


THIS DOCUMENT AND THE INFORMATION IT CONTAINS IS THE PROPERTY OF EMTEQ INC. AND MAY NOT BE USED IN ANY WAY WITHOUT THE EXPRESS WRITTEN CONSENT OF EMTEQ INC.

REV	REVISION	DATE	ER #	INTL
F	CHANGE DIM. "A" FOR CONNECTOR HMS295-1	9/25/2008	8916	LLP
G	ADD HMS195-1	3/19/2009	9506	LLP
H	CHANGE P/N'S FOR ITEM 5, HEATSHRINK	10/28/2009	10252	VML
J	CHANGE DIM "A" ON 240, 295, 340, 480, 500	12/11/2009	10393	LLP
K	ADD -165 TO BOM	06/23/2010	10970	VML

### DIMENSIONAL INFORMATION

PART NO.	"A"	"B"	"C"	ASS'Y INSTRUCTIONS
HMS165-1	1.62 (41.1)	0.88 (22.4)	0.25 (6.4)	ES-105-4
HMS195-1	1.62 (41.1)	0.88 (22.4)	0.25 (6.4)	ES-105-4
HMS205-1	1.70 (43.2)	0.88 (22.4)	0.30 (7.6)	ES-105-4
HMS240-1	1.62 (41.1)	0.88 (22.4)	0.30 (7.6)	ES-105-4
HMS295-1	1.67 (42.4)	0.88 (22.4)	0.39 (9.9)	ES-105-7
HMS340-1	1.67 (42.4)	0.88 (22.4)	0.39 (9.9)	ES-105-7
HMS410-1	1.80 (45.7)	0.88 (22.4)	0.54 (13.7)	ES-105-6
HMS480-1	1.80 (45.7)	0.88 (22.4)	0.54 (13.7)	ES-105-6
HMS500-1	1.80 (45.7)	0.88 (22.4)	0.56 (14.2)	ES-105-6



#### SPECIFICATIONS:

##### 1) ELECTRICAL

IMPEDANCE: 50 OHMS  
 FREQUENCY RANGE: 0 TO 4 GHZ  
 VOLTAGE RATING: 1,500 V RMS  
 DIELECTRIC WITHSTANDING VOLTAGE: 5,000 V RMS  
 INSULATION RESISTANCE: 5,000 MEGOHMS MIN

##### 2) MECHANICAL

TERMINATION STYLE: INNER CONTACT - SOLDER  
 OUTER CONTACT - CRIMP  
 TEMPERATURE RANGE: -65° C TO +165° C  
 FINISHES:  
 BODY FINISH: PROPRIETARY NICKEL  
 CONTACT FINISH: GOLD PLATED PER MIL-G-45204

DESIGNED IN ACCORDANCE WITH MIL-C-39012 STANDARDS.

									29-174-4	DURABLE HEATSHRINK	5
			1	1					ATUM 1/2 BLK		
						1	1		29-174-2	CRIMP TUBE	4
							1		29-138-2		
								1	29-100-4/29-100-74		
				1					29-141-2		
						1			29-137-2		
1	1								29-100-70		
				1					29-100-68		
						1			29-100-63		
1									29-100-92		
							1	1	02-749-2		
1									09-181-2		
	1	1							09-181-1		
				1	1				09-180-1		
							1	1	09-179-1	CONTACT	2
								1	06-446-10		
1									06-717-4		
	1	1							06-717-2		
				1	1				06-446-8		
							1	1	06-446-7		
								1	15-469-3	INSULATOR (REAR)	1
1									15-345-3		
	1	1							15-345-2		
				1	1				15-469-5		
							1	1	15-469-4		
500-1	480-1	410-1	340-1	295-1	240-1	205-1	195-1	165-1	PART NUMBER	DESCRIPTION	ITEM

#### ASSEMBLY PARTS LIST

MATERIAL	SCALE	SIZE	DATE	 5349 S. EMMER DRIVE NEW BERLIN, WI 53151 (888) 679-6170
FINISH	TOLERANCES UNLESS NOTED .XX = ± .03 .XXX = ± .010 ANGLES ± 1°	B	8/20/99	
	DESIGNED		J. HERMAN	PLUG, HN, STRAIGHT CONNECTOR
	CHECKED		06/23/2010	
	APPROVED		06/23/2010	CAGE CODE
	T. FORST			06WH3
				DWG #
				HMSXXX-1
				SHT
				1 OF 1

NOTICE -- ALL CHANGES TO THIS DOCUMENT ARE CONTROLLED BY EMTEQ INC. / UNLESS OTHERWISE STATED, ALL REPRODUCTIONS OF THIS DOCUMENT ARE NOT CONTROLLED BY EMTEQ INC.