

THIS DOCUMENT AND THE INFORMATION IT CONTAINS IS THE PROPERTY OF EMTEQ INC. AND MAY NOT BE USED IN ANY WAY WITHOUT THE EXPRESS WRITTEN CONSENT OF EMTEQ INC.

REV	REVISION	DATE	ER #	INTL
K	CHANGE P/N'S FOR ITEM 5 HEATSHRINK	10/27/2009	10252	VML
-	UPDATE DIMS IN DIMENSIONAL INFORMATION CHART	11/05/2010	11361	VML
-	UPDATE DIMENSIONAL INFO CHART, ADD NOTE 3, MOD NOTE 2	12/06/2010	11395	VML

## DIMENSIONAL INFORMATION

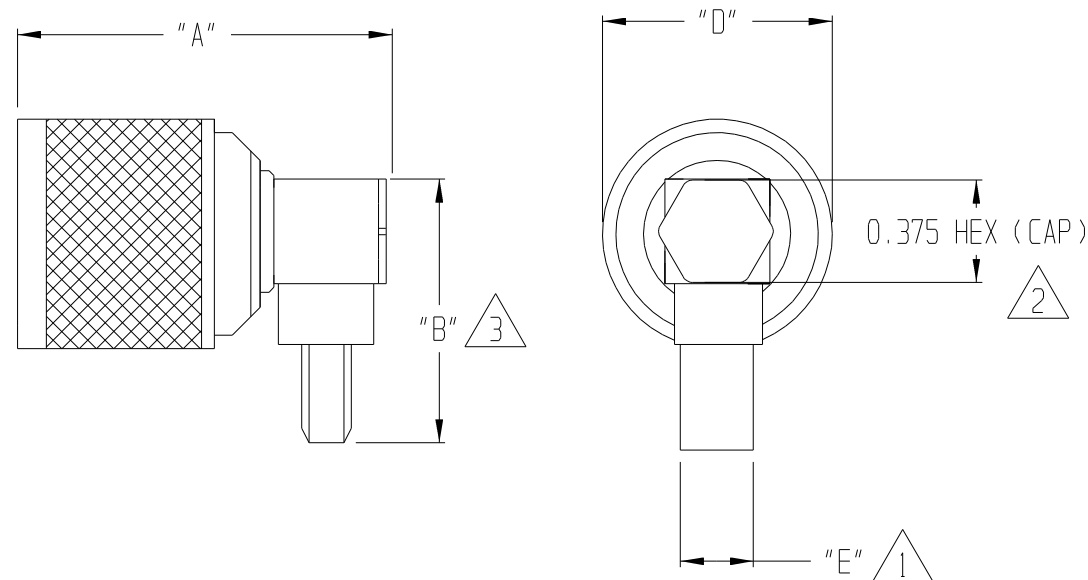
PART NO.	"A"	"B"	"C"	"D"	"E"	ASS'Y INSTRUCTIONS
HMR195-1	1.34 (34.0)	0.90 (22.9)	0.38 (9.7)	0.87 (22.1)	0.13 (3.3)	ES-105-2
HMR205-1	1.34 (34.0)	0.90 (22.9)	0.38 (9.7)	0.87 (22.1)	0.16 (4.1)	ES-105-27
HMR240-1	1.34 (34.0)	0.90 (22.9)	0.38 (9.7)	0.87 (22.1)	0.16 (4.1)	ES-105-2
HMR295-1	1.54 (39.1)	1.08 (27.4)	0.56 (14.2)	0.87 (22.1)	0.25 (6.4)	ES-105-5
HMR340-1	1.54 (39.1)	1.08 (27.4)	0.56 (14.2)	0.87 (22.1)	0.25 (6.4)	ES-105-5
HMR410-1	1.75 (44.5)	1.30 (33.0)	0.69 (17.5)	0.88 (22.4)	0.36 (9.1)	ES-105-10
HMR480-1	1.75 (44.5)	1.30 (33.0)	0.69 (17.5)	0.88 (22.4)	0.43 (10.9)	ES-105-10
HMR488-1	1.75 (44.5)	1.41 (35.8)	0.69 (17.5)	0.88 (22.4)	0.43 (10.9)	ES-105-30
HMR500-1	1.75 (44.5)	1.30 (33.0)	0.69 (17.5)	0.88 (22.4)	0.38 (9.7)	ES-105-10

**NOTES:**

1 DIMENSION "E" IS AN INSIDE DIAMETER OF THE CONNECTOR BODY

2 HEX CAP IS 0.69 ON THE CONNECTOR FOR THE TFLX410, TFLX480, PFLX480 AND PFLX500 AND 0.56 ON PFLX340 AND TFLX295

3 THIS DIMENSION IS MEASURED FROM THE RIGHT ANGLE END OF THE CONNECTOR AND WITHOUT THE CRIMP TUBE



**SPECIFICATIONS:**

1) ELECTRICAL  
 IMPEDANCE: 50 OHMS  
 FREQUENCY RANGE: 0 TO 4 GHZ  
 VOLTAGE RATING: 1,500 V RMS  
 DIELECTRIC WITHSTANDING VOLTAGE: 1,5000 V RMS  
 INSULATION RESISTANCE: 5,000 MEGOHMS MIN

2) MECHANICAL  
 TERMINATION STYLE: INNER CONTACT - SOLDER  
 OUTER CONTACT - CRIMP  
 TEMPERATURE RANGE: -65° C TO + 165° C  
 FINISHES:  
 BODY FINISH: PROPRIETARY NICKEL  
 CONTACT FINISH: GOLD PLATED PER MIL-G-45204

DESIGNED IN ACCORDANCE WITH MIL-C-39012 STANDARDS

3) CONNECTOR WEIGHT: 2.49 OZ.

1	1	1	1	1	1				10-100-121	O-RING	6
						1	1	1	10-100-120		
						1	1		SCE-1/2-2.0-9	DURABLE HEATSHRINK	5
1	1	1	1						29-174-4		
							1	1	29-174-2	CRIMP TUBE	4
								1	29-141-2		
								1	29-137-2		
	1		1						29-142-2		
		1							29-100-70		
					1				29-100-68		
1									29-100-92		
							1		29-100-63		
								1	29-100-74/29-100-4		
	1		1						56-307-1BS		
					1	1			02-992-2/02-831-4		
1									02-983-2/02-941-4		
		1							02-983-2/02-941-2		
							1		02-1019-2/02-745-2		
								1	02-1019-2/02-745-4		
1	1	1	1	1	1	1	1	1	07-164-2	CAP	2
1	1		1						15-345-3	INSULATOR( REAR )	1
		1							15-345-2		
					1	1			15-469-5		
								1	15-469-3		
							1	1	15-469-4		
500-1	488-1	480-1	410-1	340-1	295-1	240-1	205-1	195-1	PART NUMBER	DESCRIPTION	ITEM

HMR#

LIST OF MATERIAL

MATERIAL	SCALE	SIZE B	DATE 8/3/99	5349 SOUTH EMMER DRIVE NEW BERLIN, WI 53151 (888) 679-6170
	FINISH	TOLERANCES UNLESS NOTED .XX = ± .03 .XXX = ± .010 ANGLES ± 1°		
		DRAWN J. HERMAN DESIGNED		PLUG, HN, 90° CONNECTOR
		CHECKED <i>[Signature]</i> 12/06/2010		
		APPROVED T. FORST 12/07/2010		CAGE CODE DWG # HMRxxx-1 SHT 1 OF 1