

THIS DOCUMENT AND THE INFORMATION IT CONTAINS IS THE PROPERTY OF EMTEQ INC. AND MAY NOT BE USED IN ANY WAY WITHOUT THE EXPRESS WRITTEN CONSENT OF EMTEQ INC.

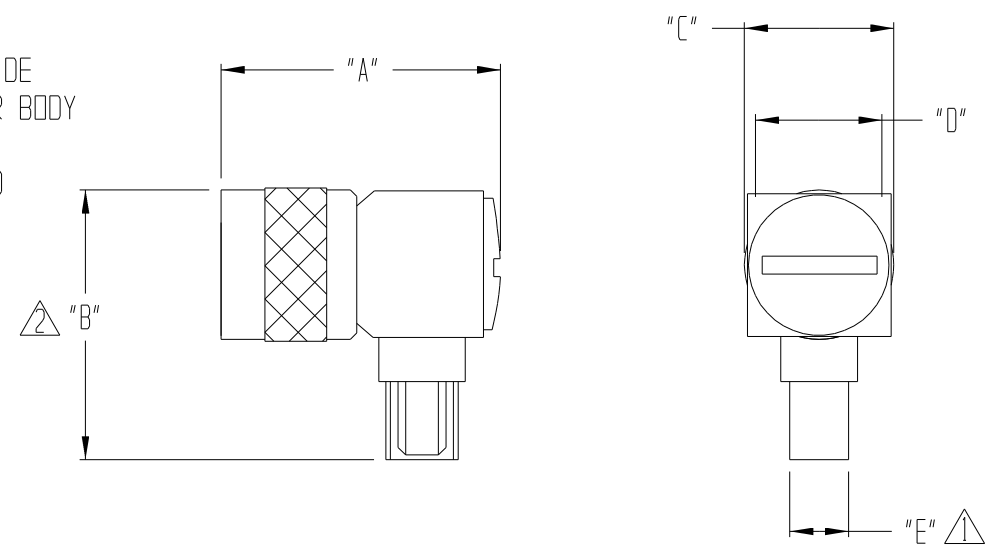
REV	REVISION	DATE	ER #	INTL
J	CHANGE P/N'S FOR ITEM 5, HEATSHRINK	10/27/2009	10252	VML
	UPDATE VIEW AND DIMENSIONAL INFO	11/05/2010	11361	VML

DIMENSIONAL INFORMATION

PART NO.	"A"	"B"	"C"	"D"	"E"	ASS'Y INSTRUCTIONS
CMR130-1	1.18 (30.0)	1.36 (34.5)	0.75 (19.0)	0.38 (9.7)	0.22 (5.6)	ES-105-27
CMR165-1	1.18 (30.0)	1.36 (34.5)	0.75 (19.0)	0.38 (9.7)	0.25 (6.4)	ES-105-27
CMR195-1	1.18 (30.0)	1.28 (32.5)	0.75 (19.0)	0.38 (9.7)	0.25 (6.4)	ES-105-2
CMR205-1	1.18 (30.0)	1.36 (34.5)	0.75 (19.0)	0.38 (9.7)	0.30 (7.6)	ES-105-27
CMR225-1	1.18 (30.0)	1.28 (32.5)	0.75 (19.0)	0.38 (9.7)	0.30 (7.6)	ES-105-2
CMR240-1	1.18 (30.0)	1.28 (32.5)	0.75 (19.0)	0.38 (9.7)	0.30 (7.6)	ES-105-2
CMR295-1	1.38 (35.1)	1.40 (35.6)	0.75 (19.0)	0.56 (14.2)	0.39 (9.9)	ES-105-5
CMR340-1	1.38 (35.1)	1.40 (35.6)	0.75 (19.0)	0.56 (14.2)	0.39 (9.9)	ES-105-5
CMR400-1	1.38 (35.1)	1.46 (37.1)	0.75 (19.0)	0.56 (14.2)	0.39 (9.9)	ES-105-5
CMR410-1	1.63 (41.4)	1.53 (38.9)	0.75 (19.0)	0.69 (17.5)	0.36 (9.1)	ES-105-10
CMR488-1	1.63 (41.4)	1.66 (42.2)	0.75 (19.0)	0.69 (17.5)	0.43 (10.9)	ES-105-30
CMR500-1	1.63 (41.4)	1.56 (39.6)	0.75 (19.0)	0.69 (17.5)	0.38 (9.7)	ES-105-10

NOTES:
 △ DIMENSION "E" IS THE INSIDE DIAMETER OF THE CONNECTOR BODY

△ DIMENSION "B" IS MEASURED WITH CRIMP TUBE



- SPECIFICATIONS:
- ELECTRICAL
 - IMPEDANCE: 50 OHMS
 - FREQUENCY RANGE: 0 TO 4 GHZ
 - VOLTAGE RATING: 1,000 V RMS
 - DIELECTRIC WITHSTANDING VOLTAGE: 1,500 V RMS
 - INSULATION RESISTANCE: 5,000 MEGOHMS MIN

- MECHANICAL
 - TERMINATION STYLE: INNER CONTACT - SOLDER
OUTER CONTACT - CRIMP
 - TEMPERATURE RANGE: -65° C TO + 165° C
 - FINISHES:
BODY FINISH: PROPRIETARY NICKEL
CONTACT FINISH: GOLD PLATED PER MIL-G-45204
- DESIGNED IN ACCORDANCE WITH MIL-C-39012 STANDARDS.

CMR	500-1	488-1	410-1	400-1	340-1	295-1	240-1	225-1	205-1	195-1	165-1	130-1	PART NUMBER	DESCRIPTION	ITEM
													10-102-72	O-RING	6
													10-100-120		
													10-100-121		
													ATUM 1/2 BLK	DURABLE HEATSHRINK	5
													29-174-4		
													29-174-2	CRIMP TUBE	4
													29-142-2		
													29-100-12		
													29-100-4/29-100-74		
													29-141-2		
													29-140-2		
													29-140-4		
													29-138-2		
													29-137-2		
													29-100-92		
													29-100-68		
													29-100-63		
													29-100-56		
													09-171-4	BODY	3
													09-176-1		
													09-173-2		
													09-172-2		
													09-172-1		
													09-171-2		
													09-171-3		
													09-171-1		
													07-127-2		
													07-165-2		
													07-164-2	CAP	2
													15-345-3		
													15-469-8	INSULATOR(REAR)	1
													15-469-5		
													15-469-3		
													15-469-4		
													15-469-17		
													15-469-10		

MATERIAL	SCALE	SIZE B	DATE 8/24/99	 5349 S. EMMER DRIVE NEW BERLIN, WI 53151 (888) 679-6170
FINISH	TOLERANCES UNLESS NOTED .XX = ± .03 .XXX = ± .010 ANGLES ± 1°		DRAWN J. HERMAN DESIGNED	
CAD GENERATED AND MAINTAINED DRAWING -- DO NOT SCALE			CHECKED <i>[Signature]</i> 11/22/2010	PLUG, TYPE C, RIGHT ANGLE CONNECTOR CAGE CODE DWG # CMRXXX-1 SHT 1 OF 1
			APPROVED T. FORST 11/22/2010	

NOTICE -- ALL CHANGES TO THIS DOCUMENT ARE CONTROLLED BY EMTEQ INC / UNLESS OTHERWISE STATED, ALL REPRODUCTIONS OF THIS DOCUMENT ARE NOT CONTROLLED BY EMTEQ INC