

THIS DOCUMENT AND THE INFORMATION IT CONTAINS IS THE PROPERTY OF EMTEQ INC. AND MAY NOT BE USED IN ANY WAY WITHOUT THE EXPRESS WRITTEN CONSENT OF EMTEQ INC.

REV	REVISION	DATE	ER #	INTL
AA	DEL. 29-174-4 CRIMP TUBE FROM 175-1, EXTRA CRIMP TUBE	06/16/2010	-----	ASL
	UPDATE NOTE 1 AND DIMENSIONAL INFORMATION CHART	11/08/2010	11361	VML
	CHANGE CBL ASSY INSTRUCTIONS FOR BMR225-1	12/07/2010	11456	VML

NOTES:

- 1 DIMENSION "E" IS MEASURED ON THE INNER DIAMETER OF THE CONNECTOR BODY
- 2 DIMENSION "B" IS MEASURED WITHOUT CRIMP TUBE

SPECIFICATIONS:

- 1) ELECTRICAL
 - IMPEDANCE: 50 OHMS
 - 75 OHMS *
 - FREQUENCY RANGE: 0 TO 4 GHZ
 - VOLTAGE RATING: 1,000 V RMS
 - DIELECTRIC WITHSTANDING VOLTAGE: 1,500 V RMS
 - INSULATION RESISTANCE: 5,000 MEGOHMS MIN

- 2) MECHANICAL
 - TERMINATION STYLE: INNER CONTACT - SOLDER
 - OUTER CONTACT - CRIMP
 - TEMPERATURE RANGE: -65° C TO + 165° C
 - FINISHES:
 - BODY FINISH: PROPRIETARY NICKEL
 - CONTACT FINISH: GOLD PLATED PER MIL-G-45204


DESIGNED IN ACCORDANCE WITH MIL-C-39012 STANDARDS.

BMR	500-1	488-1	410-1	400-1	340-1	295-1	*275-1	240-1	225-1	205-1	195-1	*190-1	*175-1	165-1	130-1	*125-1	PART NUMBER	DESCRIPTION	ITEM
																	29-142-2	CRIMP TUBE	4
																	29-100-162		
																	29-100-155		
																	29-100-56		
																	29-140-4		
																	29-100-12		
																	29-100-74/29-100-4		
																	29-141-2		
																	29-140-2		
																	29-138-2		
																	29-137-2		
																	29-100-92		
																	29-100-68		
																	29-100-63		
																	29-100-49		
																	09-127-10		
																	41-316-3BS		
																	41-315-01		
																	41-315-04		
																	60-314-2BS		
																	41-325-1BS		
																	09-127-2		
																	09-127-4		
																	09-127-3		
																	09-180-1		
																	02-905-4/02-745-2		
																	07-165-2		
																	07-127-2		
																	07-164-2		
																	15-469-11		
																	15-469-26		
																	15-469-8		
																	15-345-3		
																	15-469-4		
																	15-469-3		
																	15-469-10		
																	15-469-17		
																	15-469-19		
																	15-469-5		
																	15-469-6		

BMR	500-1	488-1	410-1	400-1	340-1	295-1	*275-1	240-1	225-1	205-1	195-1	*190-1	*175-1	165-1	130-1	*125-1	PART NUMBER	DESCRIPTION	ITEM
																	10-102-73	O-RING	6
																	10-100-21		
																	10-102-72		
																	10-100-120		
																	10-100-121	DURABLE HEATSHRINK	5
																	29-174-2		
																	29-174-1		
																	29-174-4		

LIST OF MATERIAL (CONT'D)

LIST OF MATERIAL

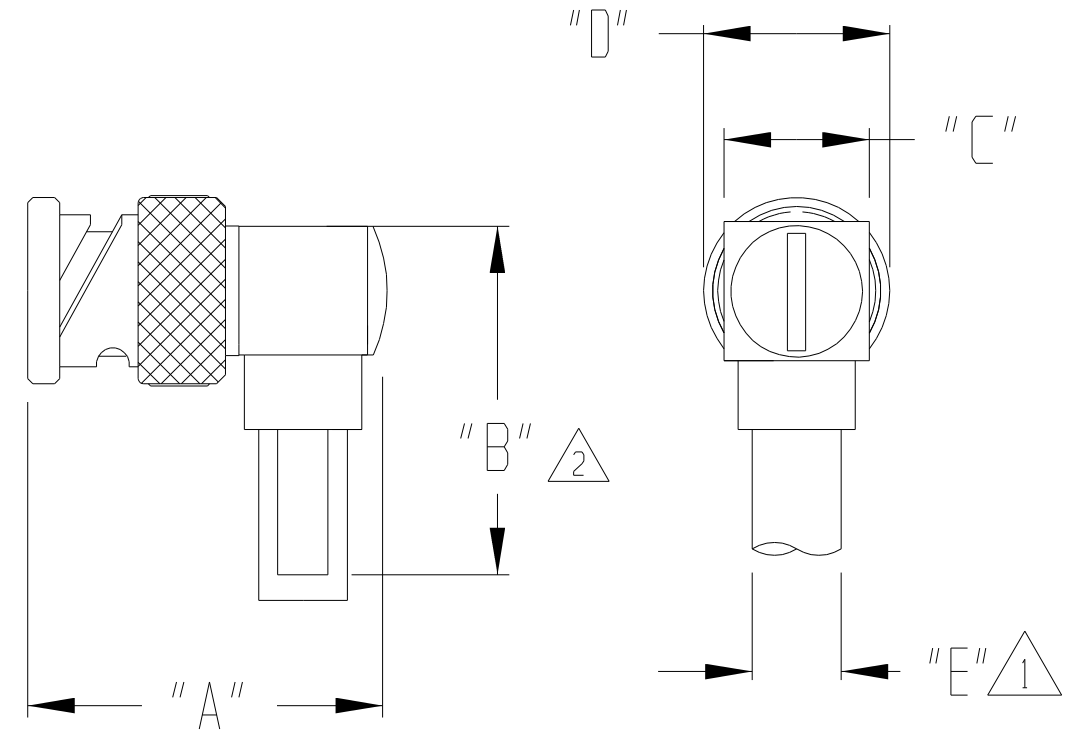
MATERIAL	SCALE	SIZE B	DATE 08/24/1999	 5349 SOUTH EMMER DRIVE NEW BERLIN, WI 53151 (888) 679-6170
	FINISH	TOLERANCES UNLESS NOTED .XX = ± .03 .XXX = ± .010 ANGLES ± 1°		
DRAWN J. HERMAN DESIGNED			CHECKED <i>[Signature]</i> 12/08/2010	PLUG, BNC RIGHT ANGLE CONNECTOR
CAD GENERATED AND MAINTAINED DRAWING -- DO NOT SCALE			APPROVED T. FORST 12/08/2010	
			CAGE CODE 06WH3	DWG # BMRxxx-1
			SHT 1 OF 2	

NOTICE -- ALL CHANGES TO THIS DOCUMENT ARE CONTROLLED BY EMTEQ INC / UNLESS OTHERWISE STATED, ALL REPRODUCTIONS OF THIS DOCUMENT ARE NOT CONTROLLED BY EMTEQ INC

FILE: BMRxxx-1.dwt

THIS DOCUMENT AND THE INFORMATION IT CONTAINS IS THE PROPERTY OF EMTEQ INC. AND MAY NOT BE USED IN ANY WAY WITHOUT THE EXPRESS WRITTEN CONSENT OF EMTEQ INC.

REV	REVISION	DATE	ER #	INTL
AA	SEE SHEET 1	12/07/2010	11456	VML



DIMENSIONAL INFORMATION

PART NO.	"A"	"B"	"C"	"D"	"E"	CABLE ASS'Y. (REF.)
* BMR125-075-1	1.06 (26.9)	0.901 (22.9)	0.38 (9.7)	0.56 (14.2)	0.093 (2.36)	ES-105-2
BMR130-1	1.06 (26.9)	0.901 (22.9)	0.38 (9.7)	0.56 (14.2)	0.093 (2.36)	ES-105-27
BMR165-1	1.06 (26.9)	0.901 (22.9)	0.38 (9.7)	0.56 (14.2)	0.126 (3.2)	ES-105-27
* BMR175-075-1	1.06 (26.9)	0.901 (22.9)	0.38 (9.7)	0.56 (14.2)	0.118 (3.0)	ES-105-2
* BMR190-075-1	1.06 (26.9)	0.901 (22.9)	0.38 (9.7)	0.56 (14.2)	0.159 (4.0)	ES-105-2
BMR195-1	1.06 (26.9)	0.901 (22.9)	0.38 (9.7)	0.56 (14.2)	0.126 (3.2)	ES-105-2
BMR205-1	1.06 (26.9)	0.901 (22.9)	0.38 (9.7)	0.56 (14.2)	0.162 (4.1)	ES-105-27
BMR225-1	1.06 (26.9)	0.901 (22.9)	0.38 (9.7)	0.56 (14.2)	0.171 (4.3)	ES-105-2
BMR240-1	1.06 (26.9)	0.901 (22.9)	0.38 (9.7)	0.56 (14.2)	0.162 (4.1)	ES-105-2
* BMR275-075-1	1.06 (26.9)	0.901 (22.9)	0.38 (9.7)	0.56 (14.2)	0.193 (4.9)	ES-105-2
BMR295-1	1.35 (34.3)	1.077 (27.4)	0.56 (14.2)	0.56 (14.2)	0.253 (6.4)	ES-105-5
BMR340-1	1.35 (34.3)	1.077 (27.4)	0.56 (14.2)	0.56 (14.2)	0.253 (6.4)	ES-105-5
BMR400-1	1.35 (34.3)	1.077 (27.4)	0.56 (14.2)	0.56 (14.2)	0.297 (7.5)	ES-105-5
BMR410-1	1.56 (39.6)	1.297 (33.0)	0.69 (17.5)	0.56 (14.2)	0.356 (9.0)	ES-105-10
BMR488-1	1.56 (39.6)	1.407 (35.8)	0.69 (17.5)	0.56 (14.2)	0.381 (9.7)	ES-105-30
BMR500-1	1.56 (39.6)	1.297 (33.0)	0.69 (17.5)	0.56 (14.2)	0.428 (10.9)	ES-105-10