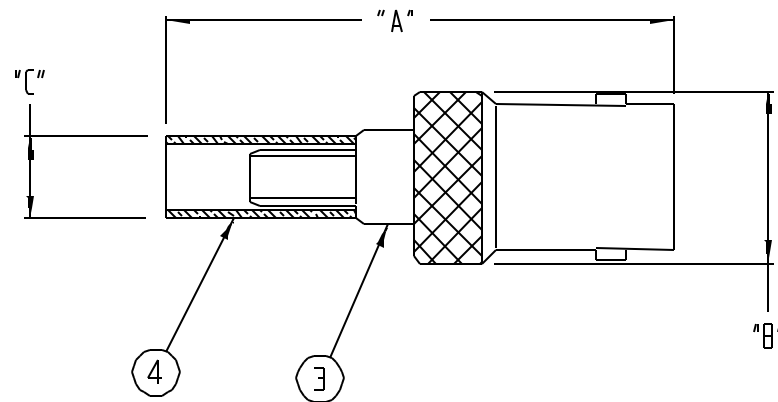


THIS DOCUMENT AND THE INFORMATION IT CONTAINS IS THE PROPERTY OF EMTEQ INC. AND MAY NOT BE USED IN ANY WAY WITHOUT THE EXPRESS WRITTEN CONSENT OF EMTEQ INC.

REV	REVISION	DATE	ER #	INTL
LO1	REMOVE 29-174-2 FROM CRIMP TUBE AREA	08/18/2010	11150	VML

DIMENSIONAL INFORMATION

PART NO.	"A"	"B"	"C"	ASS'Y INSTRUCTIONS
*BFS125-075-1	1.41 (35.8)	0.46 (11.7)	0.22 (5.6)	ES-105-3
BFS130-1	1.41 (35.8)	0.46 (11.7)	0.22 (5.6)	ES-105-3
BFS165-1	1.41 (35.8)	0.46 (11.7)	0.25 (6.4)	ES-105-3
*BFS175-075-1	1.33 (33.8)	0.46 (11.7)	0.22 (5.6)	ES-105-3
*BFS190-075-1	1.33 (33.8)	0.46 (11.7)	0.24 (6.1)	ES-105-3
BFS195-1	1.33 (33.8)	0.46 (11.7)	0.25 (6.4)	ES-105-3
BFS205-1	1.41 (35.8)	0.46 (11.7)	0.30 (7.6)	ES-105-3
BFS225-1	1.41 (35.8)	0.46 (11.7)	0.30 (7.6)	ES-105-3
BFS240-1	1.33 (33.8)	0.46 (11.7)	0.30 (7.6)	ES-105-3
*BFS275-075-1	1.33 (33.8)	0.46 (11.7)	0.33 (8.4)	ES-105-57
BFS295-1	1.56 (39.6)	0.46 (11.7)	0.39 (9.9)	ES-105-7
BFS340-1	1.56 (39.6)	0.46 (11.7)	0.39 (9.9)	ES-105-7
BFS410-1	1.56 (39.6)	0.46 (11.7)	0.39 (9.9)	ES-105-7



SPECIFICATIONS:

- ELECTRICAL**
 IMPEDANCE: 50 OHMS
 * 75 OHMS
 FREQUENCY RANGE: 0 TO 4 GHz
 VOLTAGE RATING: 500 V RMS
 DIELECTRIC WITHSTANDING VOLTAGE: 1,500 V RMS
 INSULATION RESISTANCE: 5,000 MEGOHMS MIN

- MECHANICAL**
 TERMINATION STYLE: INNER CONTACT - SOLDER
 OUTER CONTACT - CRIMP
 TEMPERATURE RANGE: -65° C TO + 165° C
 FINISHES:
 BODY FINISH: PROPRIETARY NICKEL
 CONTACT FINISH: GOLD PLATED PER MIL-G-45204
 DESIGNED IN ACCORDANCE WITH MIL-C-39012 STANDARDS.

REV	REVISION	DATE	ER #	INTL
LO1	REMOVE 29-174-2 FROM CRIMP TUBE AREA	08/18/2010	11150	VML

REV	REVISION	DATE	ER #	INTL
LO1	REMOVE 29-174-2 FROM CRIMP TUBE AREA	08/18/2010	11150	VML

PART NO.	DESCRIPTION	ITEM
ATUM 1/2 BLK	DURABLE HEATSHRINK	5
29-174-2		
ATUM 1/4 BLK		
29-141-2	CRIMP TUBE	4
29-100-162		
29-100-155		
29-100-12		
29-140-4		
29-100-74/29-100-4		
29-138-2		
29-137-2		
29-100-68		
29-100-63		
29-140-2		
29-100-49		
02-987-14	BODY	3
02-987-12		
02-987-10		
02-987-6		
02-987-8		
09-133-1		
09-131-2		
09-131-1		
09-190-2		
09-190-1		
60-533-2P	CONTACT	2
06-368-19		
06-679-2		
06-368-4		
06-368-2		
06-368-17		
06-368-11		
15-469-11	INSULATOR (REAR)	1
15-469-26		
15-469-17		
15-469-10		
15-469-19		
15-469-4		
15-469-5		
15-469-3		
15-469-6		

MATERIAL	SCALE	SIZE B	DATE 08/18/1999	 5349 S. EMMER DRIVE NEW BERLIN, WI 53151 (888) 679-6170
FINISH	TOLERANCES UNLESS NOTED .XX = ± .03 .XXX = ± .010 ANGLES ± 1°		DRAWN J. HERMAN DESIGNED CHECKED [Signature] 08/18/2010 APPROVED T. FORST 08/18/2010	
CAD GENERATED AND MAINTAINED DRAWING -- DO NOT SCALE			CAGE CODE 06WH3	DWG # BFSxxx-1 JACK, BNC CONNECTOR
NOTICE -- ALL CHANGES TO THIS DOCUMENT ARE CONTROLLED BY EMTEQ INC. / UNLESS OTHERWISE STATED, ALL REPRODUCTIONS OF THIS DOCUMENT ARE NOT CONTROLLED BY EMTEQ INC.				SHIT 1 OF 1 FILE: BFSxxx-1.prt