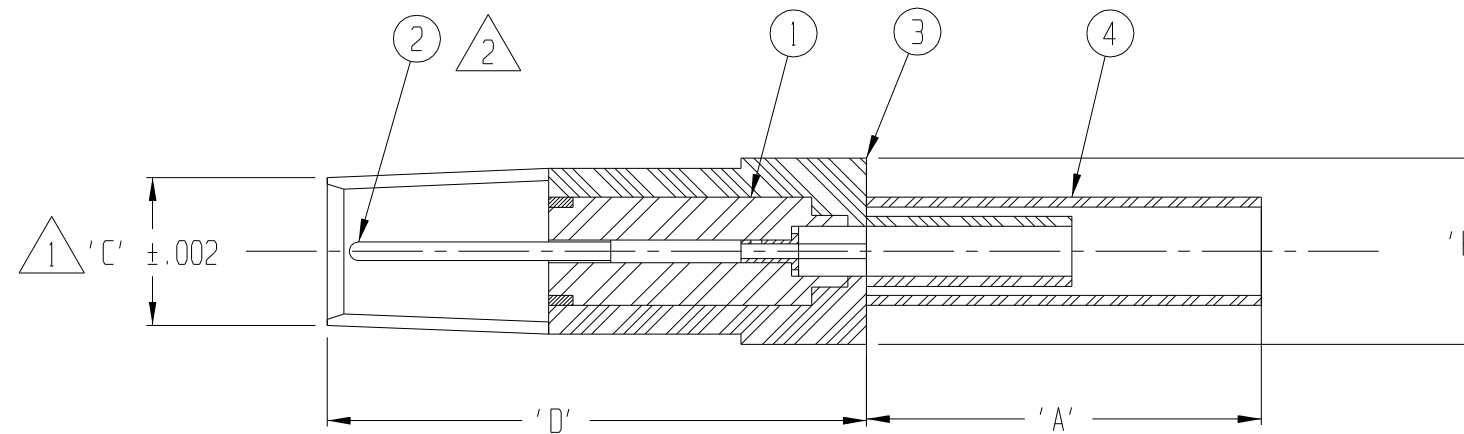


THIS DOCUMENT AND THE INFORMATION IT CONTAINS IS THE PROPERTY OF EMTEQ INC. AND MAY NOT BE USED IN ANY WAY WITHOUT THE EXPRESS WRITTEN CONSENT OF EMTEQ INC.

REV	REVISION	DATE	ER #	INTL
A	DELETED ITEM 5	05/05/2006	5272	LRL

### DIMENSIONAL INFORMATION

PART NO.	"A"	"B"	"C"	"D"	CABLE INSTRUCTIONS
A69125-075-1	.583 (14.81)	.275 (6.99)	.195 (4.95)	.796 (20.22)	ES-105-37



**SPECIFICATIONS:**

- 1) ELECTRICAL
  - IMPEDANCE: 75 OHMS
  - FREQUENCY RANGE: 0 TO 2 GHZ
  - VOLTAGE RATING: 1,500 V RMS
  - DIELECTRIC WITHSTANDING VOLTAGE: 1,500 V RMS
  - INSULATION RESISTANCE: 5,000 MEGOHMS MIN

- 2) MECHANICAL
  - TERMINATION STYLE: INNER CONTACT - SOLDER  
OUTER CONTACT - CRIMP
  - TEMPERATURE RANGE: -55° C TO +125° C
  - FINISHES:  
BODY FINISH: GOLD PLATED PER MIL-G-45204  
CONTACT FINISH: GOLD PLATED PER MIL-G-45204

DESIGNED IN ACCORDANCE WITH ARINC 600 STANDARDS.

**ASSEMBLY NOTES:**


- 1 CLOSE INSIDE DIAMETER OF TINES TO DIMENSION SHOWN AFTER ASSMENBLY.
- 2 CONTACT SHOWN INSTALLED FOR REFERENCE ONLY. CONTACT TO BE SHIPPED LOOSE ALONG WITH CONNECTOR.

	--DELETED--		5
1	29-140-2	CRIMP TUBE	4
1	09-208-2	BODY	3
1	06-955-2	CONTACT	2
1	15-469-10	INSULATOR (PRE-ASSEMBLED WITH ITEM 2)	1
A69125-075-1	PART NUMBER	DESCRIPTION	ITEM



A69125-075-1

**PARTS LIST**

MATERIAL	SCALE	SIZE B	DATE 02/03/2004	 5349 S. EMMER DRIVE NEW BERLIN, WI 53151 (888) 679-6170
	FINISH	TOLERANCES UNLESS NOTED .XX = ± .03 .XXX = ± .010 ANGLES ± 1°		
CAD GENERATED AND MAINTAINED DRAWING -- DO NOT SCALE			DRAWN V. LEX DESIGNED CHECKED L. LUGO 05/05/2006 APPROVED <i>[Signature]</i> 05/05/2006	75 OHM COAXIAL CONTACT CRIMP SOCKET, SIZE 9
			CAGE CODE 06WH3	DWG # A69125-075-1 SHT 1 OF 1

NOTICE -- ALL CHANGES TO THIS DOCUMENT ARE CONTROLLED BY EMTEQ INC / UNLESS OTHERWISE STATED, ALL REPRODUCTIONS OF THIS DOCUMENT ARE NOT CONTROLLED BY EMTEQ INC

FILE: A69125-075-1.prt