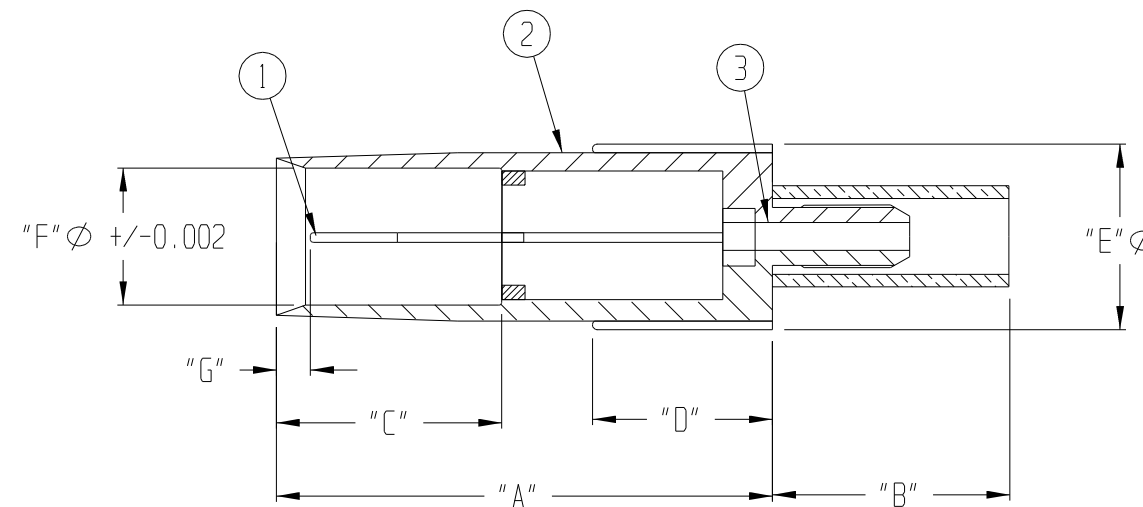


THIS DOCUMENT AND THE INFORMATION IT CONTAINS IS THE PROPERTY OF EMTEQ INC. AND MAY NOT BE USED IN ANY WAY WITHOUT THE EXPRESS WRITTEN CONSENT OF EMTEQ INC.

REV	REVISION	DATE	ER #	INTL
C	DELETED ITEM 4	05/05/2006	5272	LRL

### DIMENSIONAL INFORMATION

PART NO.	"A"	"B"	"C"	"D"	"E"	"F"	"G"	ASS'Y INSTRUCTION
A69100-075-1	0.80 (20.3)	0.40 (10.2)	0.34 (8.6)	0.19 (4.8)	0.28 (7.1)	0.20 (5.1)	0.053 (1.35)	ES-105-34



#### SPECIFICATIONS:

- ELECTRICAL
  - IMPEDANCE: 75 OHMS
  - FREQUENCY RANGE: 0 TO 5 GHZ
  - VOLTAGE RATING: 1,000 V RMS
  - DIELECTRIC WITHSTANDIN VOLTAGE: 1,500 RMS
  - INSULATION RESISTANCE: 5,000 MEGOHMS MIN.

- MECHANICAL
  - TERMINATION STYLE: INNER CONTACT - SOLDER  
OUTER CONTACT - CRIMP
  - TEMPERATURE RANGE: -55° C TO +125° C
  - FINISHES:  
BODY FINISH: GOLD PLATED PER MIL-C-45204  
CONTACT FINISH: GOLD PLATED PER MIL-C-45204

DESIGNED IN ACCORDANCE WITH ARINC 404B STANDARDS.

PART NUMBER	DESCRIPTION	ITEM
--DELETED--		4
1 29-100-26	CRIMP TUBE	3
1 09-208-1	BODY	2
1 06-955-2	CONTACT	1
A69100-075-1	PART NUMBER	DESCRIPTION

PARTS LIST

MATERIAL	SCALE	SIZE B	DATE 03/23/2001	5349 S. EMMER DRIVE NEW BERLIN, WI 53151 (888) 679-6170
	FINISH		TOLERANCES UNLESS NOTED .XX = ± .03 .XXX = ± .010 ANGLES ± 1° CAD GENERATED AND MAINTAINED DRAWING -- DO NOT SCALE	
CONTACT, SIZE 9 FOR RG-179 75 OHM CABLE				CAGE CODE DWG # 06WH3 A69100-075-1
NOTICE -- ALL CHANGES TO THIS DOCUMENT ARE CONTROLLED BY EMTEQ INC / UNLESS OTHERWISE STATED, ALL REPRODUCTIONS OF THIS DOCUMENT ARE NOT CONTROLLED BY EMTEQ INC				SHT 1 OF 1 FILE: A69100-075-1.prt