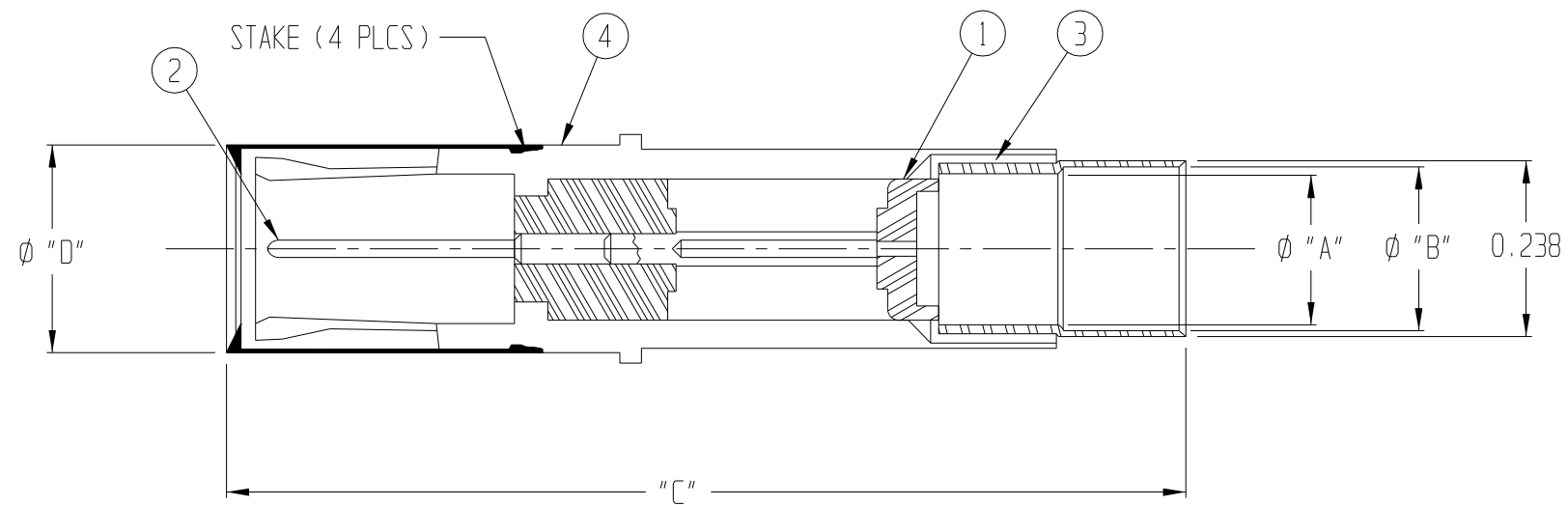


THIS DOCUMENT AND THE INFORMATION IT CONTAINS IS THE PROPERTY OF EMTEQ INC. AND MAY NOT BE USED IN ANY WAY WITHOUT THE EXPRESS WRITTEN CONSENT OF EMTEQ INC.

REV	REVISION	DATE	ER #	INTL
A00	RELEASED TO PRODUCTION	05/06/2010	10833	VML
B00	UPDATE BOM AND DIMENSIONAL INFORMATION	08/23/2010	11176	VML
	CHANGE DESCRIPTION OF ITEM 2	11/04/2010	11367	VML

### DIMENSIONAL INFORMATION

PART NO.	"A"	"B"	"C"	"D"	CABLE INSTRUCTIONS
A68190-075-1	0.183 (4.65)	0.214 (5.43)	1.283 (32.6)	.286 (7.26)	ES-105-54



#### SPECIFICATIONS:

##### 1) ELECTRICAL

IMPEDANCE: 75 OHMS  
 FREQUENCY RANGE: 0 TO 2 GHZ  
 VOLTAGE RATING: 1,500 V RMS  
 DIELECTRIC WITHSTANDING VOLTAGE: 1,500 V RMS  
 INSULATION RESISTANCE: 5,000 MEGOHMS MIN

##### 2) MECHANICAL

TERMINATION STYLE: INNER CONTACT - SOLDER  
 OUTER CONTACT - CRIMP  
 TEMPERATURE RANGE: -55° C TO +125° C  
 FINISHES:  
 BODY FINISH: GOLD PLATED PER MIL-G-45204  
 CONTACT FINISH: GOLD PLATED PER MIL-G-45204

DESIGNED IN ACCORDANCE WITH ARINC 600 STANDARDS.

1	75-969-1	BODY	4
1	05-183-2	BUSHING	3
1	06-1361-6	PIN CONTACT	2
1	15-840-7	INSULATOR (PRE-ASSEMBLED WITH ITEM 2)	1
A68190-075-1	PART NUMBER	DESCRIPTION	ITEM

#### PARTS LIST

MATERIAL	SCALE	SIZE B	DATE 08/09/2004	<b>EMTEQ</b> 5349 S. EMMER DRIVE NEW BERLIN, WI 53151 (888) 679-6170
FINISH	TOLERANCES UNLESS NOTED .XX = ± .03 .XXX = ± .010 ANGLES ± 1°	DESIGNED V. LEX	CHECKED 11/04/2010	
CAD GENERATED AND MAINTAINED DRAWING -- DO NOT SCALE			APPROVED T. FORST 11/04/2010	CAGE CODE 06WH3
NOTICE -- ALL CHANGES TO THIS DOCUMENT ARE CONTROLLED BY EMTEQ INC / UNLESS OTHERWISE STATED, ALL REPRODUCTIONS OF THIS DOCUMENT ARE NOT CONTROLLED BY EMTEQ INC			COAXIAL CONTACT, SIZE 8, SOCKET, REAR RELEASE	
			CAGE CODE 06WH3	DWG # A68190-075-1
			SHT 1 of 1	FILE: A68190-075-1.prt