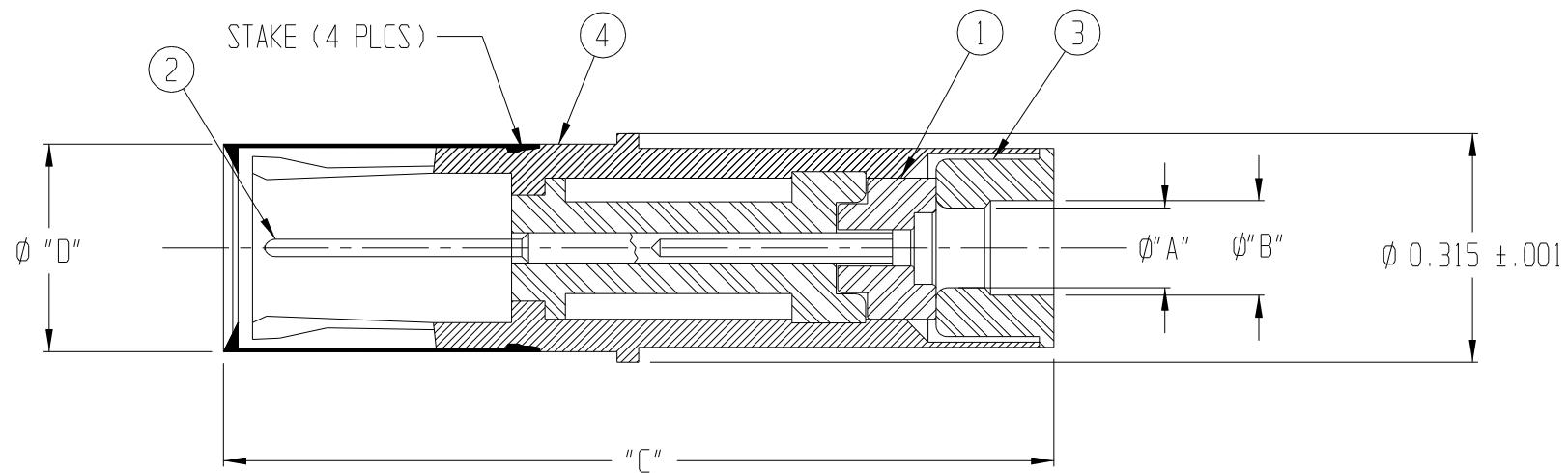


THIS DOCUMENT AND THE INFORMATION IT CONTAINS IS THE PROPERTY OF EMTEQ INC. AND MAY NOT BE USED IN ANY WAY WITHOUT THE EXPRESS WRITTEN CONSENT OF EMTEQ INC.

REV	REVISION	DATE	ER #	INTL
A	DELETE ITEM 5	05/05/2006	5272	LRL

## DIMENSIONAL INFORMATION

PART NO.	"A"	"B"	"C"	"D"	CABLE INSTRUCTIONS
A68125-075-1	.110 (14.2)	.130 (3.30)	1.142 (29)	.286 (7.26)	ES-105-36



### SPECIFICATIONS:

#### 1) ELECTRICAL

IMPEDANCE: 75 OHMS  
 FREQUENCY RANGE: 0 TO 2 GHZ  
 VOLTAGE RATING: 1,500 V RMS  
 DIELECTRIC WITHSTANDING VOLTAGE: 1,500 V RMS  
 INSULATION RESISTANCE: 5,000 MEGOHMS MIN



#### 2) MECHANICAL

TERMINATION STYLE: INNER CONTACT - SOLDER  
 OUTER CONTACT - CRIMP  
 TEMPERATURE RANGE: -55° C TO +125° C  
 FINISHES:  
 BODY FINISH: GOLD PLATED PER MIL-G-45204  
 CONTACT FINISH: GOLD PLATED PER MIL-G-45204

DESIGNED IN ACCORDANCE WITH ARINC 600 STANDARDS.

	--DELETED--		5
1	75-953-1	BODY	4
1	05-154-2	BUSHING	3
1	06-1163-2	CONTACT	2
1	15-840-1	INSULATOR (PRE-ASSEMBLED WITH ITEM 2)	1
A68125-075-1	PART NUMBER	DESCRIPTION	ITEM

### PARTS LIST

MATERIAL	SCALE	SIZE B	DATE 01/19/2004	 5349 S. EMMER DRIVE NEW BERLIN, WI 53151 (888) 679-6170
FINISH	TOLERANCES UNLESS NOTED .XX = ± .03 .XXX = ± .010 ANGLES ± 1°	DRAWN V. LEX DESIGNED	CHECKED T. FORST 05/05/2006	
CAD GENERATED AND MAINTAINED DRAWING -- DO NOT SCALE		APPROVED  05/05/2006	CAGE CODE 06WH3	DWG # A68125-075-1
NOTICE -- ALL CHANGES TO THIS DOCUMENT ARE CONTROLLED BY EMTEQ INC / UNLESS OTHERWISE STATED, ALL REPRODUCTIONS OF THIS DOCUMENT ARE NOT CONTROLLED BY EMTEQ INC				COAXIAL CONTACT, SIZE 8, SOCKET, REAR RELEASE SHT 1 OF 1 FILE: A68125-075-1.prt