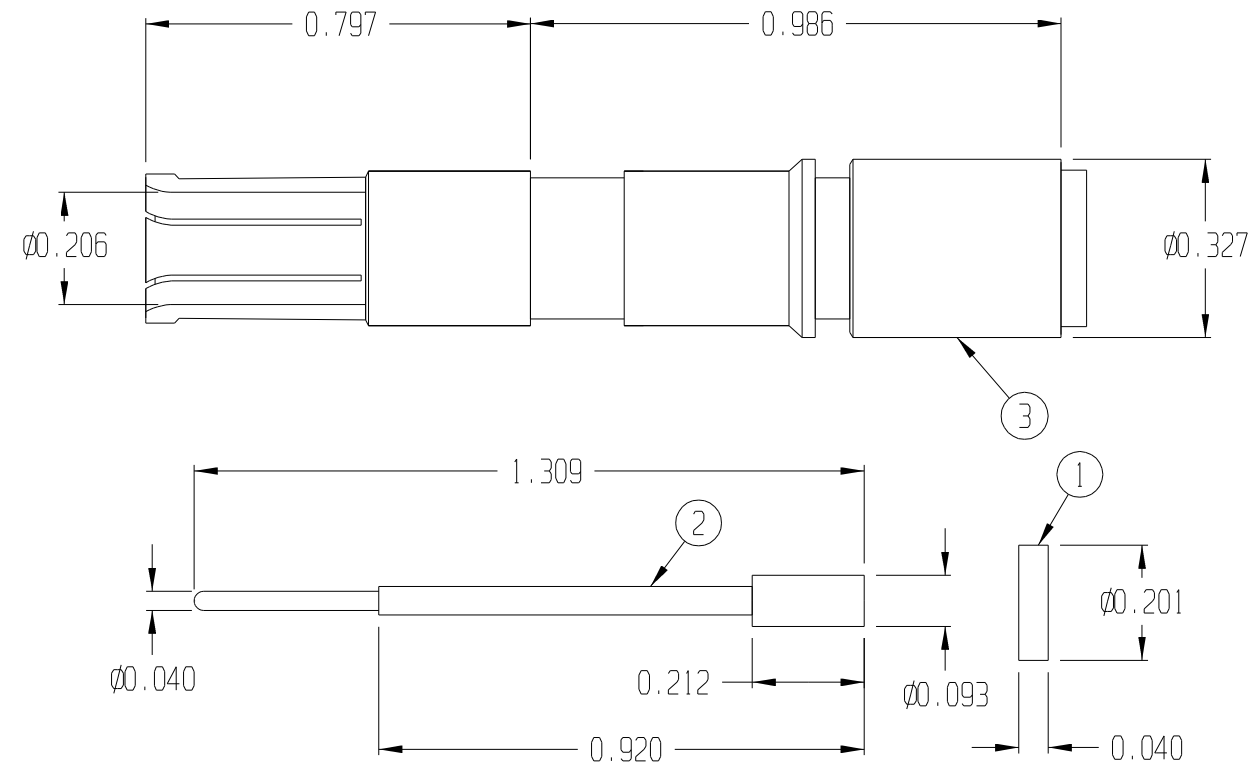


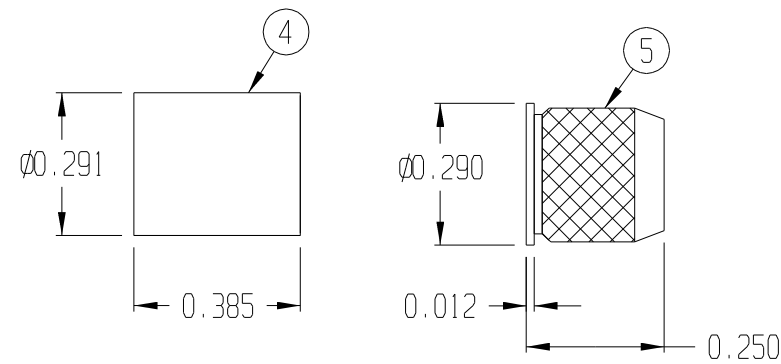
THIS DOCUMENT AND THE INFORMATION IT CONTAINS IS THE PROPERTY OF EMTEQ INC. AND MAY NOT BE USED IN ANY WAY WITHOUT THE EXPRESS WRITTEN CONSENT OF EMTEQ INC.

REV	REVISION	DATE	ER #	INTL
A	DELETED ITEM 6	05/05/2006	5272	LRL



SPECIFICATIONS:

- 1) ELECTRICAL
 - IMPEDANCE: 50 OHMS
 - FREQUENCY RANGE: 0 TO 2 GHZ
 - VOLTAGE RATING: 325 V RMS
 - DIELECTRIC WITHSTANDING VOLTAGE: 750 V RMS
 - INSULATION RESISTANCE: 5,000 MEGOHMS MIN
- 2) MECHANICAL
 - TERMINATION STYLE: INNER CONTACT - SOLDER
OUTER CONTACT - CRIMP
 - TEMPERATURE RANGE: -65° C TO +165° C
 - FINISHES:
 - BODY FINISH: GOLD PLATED PER MIL-G-45204
 - CONTACT FINISH: GOLD PLATED PER MIL-G-45204



QTY	PART NUMBER	DESCRIPTION	ITEM
	--DELETED--		6
1	29-175-4	CRIMP BUSHING	5
1	29-135-6	CRIMP TUBE	4
1	09-226-1	BODY	3
1	06-1247-2	CONTACT	2
1	15-469-24	INSULATOR	1
3	240-1	PART NUMBER	

PARTS LIST

DESIGNED IN ACCORDANCE WITH ARINC 600 STANDARDS.

3 ALTERNATE P/N: 620-033 (RADIAL)

4) USE ASSEMBLY INSTRUCTION: ES-105-39.

MATERIAL	SCALE	SIZE B	DATE 5/24/2005	EMTEQ 5349 S. EMMER DRIVE NEW BERLIN, WI 53151 (888) 679-6170
	FINISH		DRAWN L. LUGO	
TOLERANCES UNLESS NOTED .XX = ± .02 .XXX = ± .005 ANGLES ± 1°		CHECKED T. FORST 05/05/06	DESIGNED	CONTACT, SIZE 5, COAXICON
CAD GENERATED AND MAINTAINED DRAWING -- DO NOT SCALE		APPROVED [Signature] 05/05/06	CAGE CODE DWG #	
NOTICE -- ALL CHANGES TO THIS DOCUMENT ARE CONTROLLED BY EMTEQ INC / UNLESS OTHERWISE STATED, ALL REPRODUCTIONS OF THIS DOCUMENT ARE NOT CONTROLLED BY EMTEQ INC			06WH3	A65240-1
				SHT 1 OF 1 FILE: A65XXX-1.prt