

LED exit signs

# DEDICATED TO SAVING LIVES

A wide range of exit sign options for  
different aircraft and installation types



# SUPPORTING SAFE, FAST EXITS

Contributing to passenger safety, aircraft exit signs meet a number of strict requirements.

The Federal Aviation Regulation (FAR) defines clear specifications concerning size and position, colors, brightness and visibility of exit indicators.

In case of emergency, exit signs can help save lives. Their reliability is a crucial component for the safe and quick evacuation of the aircraft.

Collins Aerospace offers a wide range of LED exit signs for any type of aircraft and with various installation options.

## INSTALLATION OPTIONS

Whether they are wall or ceiling-mounted at high or low levels, rectangular or oval, horizontal or vertical – Collins' LED exit signs are available in multiple languages for domestic or international use. Pictograms instead of lettering are often used to increase readability among passengers and give operators more flight path options.

From page 18 we introduce a choice of LED exit sign housings that can be combined with a wide range of matching lenses.

This brochure outlines a small selection of lens printing examples. Please contact us for an individual proposal matching your specific needs.

## FEATURES AND BENEFITS

LED exit signs feature a lifetime of up to 30,000 operating hours, cool to the touch features, low power consumption and maintenance effort as well as high resistance to shock and vibration.

## OPERATING THE EXIT SIGNS

Many of the exit signs we offer feature dual feed options. Connecting them to two different power sources ensures that the signs keep working even if one of the power sources fails.

## EXPERIENCE

Collins Aerospace has more than 30 years of experience in the use of LED technology and is the first to develop an LED reading light for series production in an aircraft.

We make significant investment into research and development to provide lighting systems that promote high levels of passenger comfort and safety.





## Wall-mounted LED Exit Signs | 2LA007344-XX

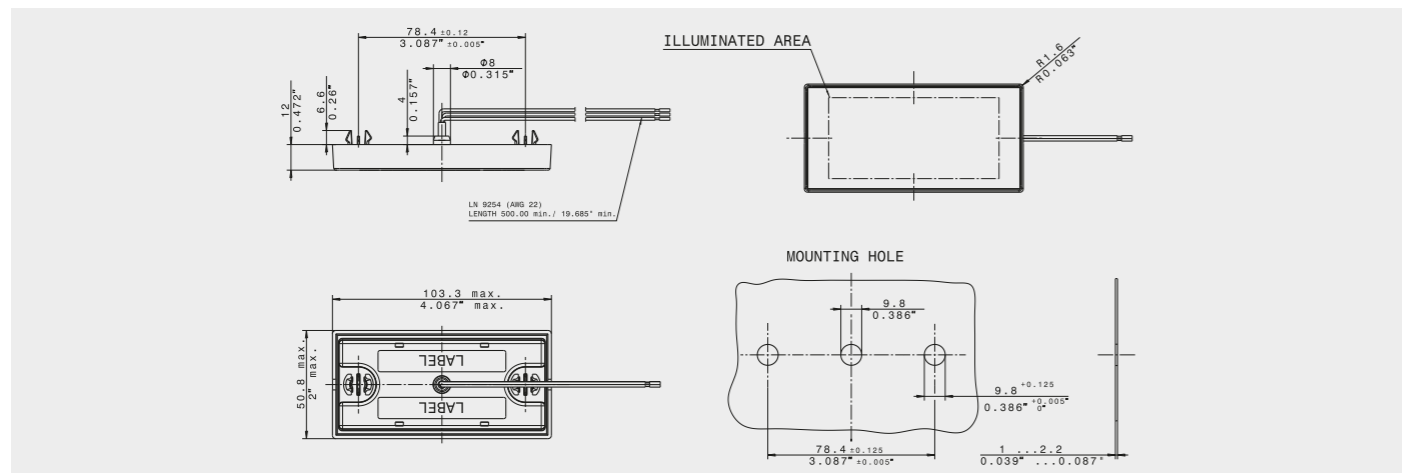


### TECHNICAL DATA

<b>Operating Voltage</b>	see variant table
<b>Operating Current</b>	see variant table
<b>Luminance</b>	see variant table
<b>Color of Housing</b>	Cloud Grey
<b>Connection</b>	Flying Leads (500 mm/19.685"); Dual Feed
<b>Dimensions</b>	103.3 x 50.8 mm max./ 4.067" x 2" max.
<b>Weight</b>	0.050 kg/0.110 lbs max.

Part-Number	Print	Language/ Pictogram	Operating Voltage	Operating Current	Luminance
2LA007344-28		English/ Russian	28 V DC	2 x 26 mA ± 15 %	80 cd/m <sup>2</sup> min.
2LA007344-30		English/ Ukrainian	28 V DC	2 x 26 mA ± 15 %	80 cd/m <sup>2</sup> min.
2LA007344-50		English	28 V DC	2 x 26 mA ± 15 %	80 cd/m <sup>2</sup> min.
2LA007344-51		Chinese	28 V DC	2 x 26 mA ± 15 %	80 cd/m <sup>2</sup> min.
2LA007344-52		Spanish	28 V DC	2 x 26 mA ± 15 %	80 cd/m <sup>2</sup> min.
2LA007344-53		Running Man	28 V DC	2 x 26 mA ± 15 %	80 cd/m <sup>2</sup> min.
2LA007344-60		Chinese/ English	6 V DC	390 mA ± 15 %	60 cd/m <sup>2</sup> min.
2LA007344-68		English/ Russian	6 V DC	390 mA ± 15 %	60 cd/m <sup>2</sup> min.
2LA007344-80		English	6 V DC	390 mA ± 15 %	60 cd/m <sup>2</sup> min.
2LA007344-81		English/ Japanese	6 V DC	390 mA ± 15 %	60 cd/m <sup>2</sup> min.
2LA007344-82		Japanese/ English	6 V DC	390 mA ± 15 %	60 cd/m <sup>2</sup> min.
2LA007344-83		Japanese/ English	6 V DC	390 mA ± 15 %	60 cd/m <sup>2</sup> min.
2LA007344-84		Japanese	28 V DC	2 x 26 mA ± 15 %	80 cd/m <sup>2</sup> min.
2LA007344-85		English	6 V DC	390 mA ± 15 %	60 cd/m <sup>2</sup> min.
2LA007344-86		English/ Japanese	6 V DC	390 mA ± 15 %	60 cd/m <sup>2</sup> min.
2LA007344-87		Russian	6 V DC	390 mA ± 15 %	60 cd/m <sup>2</sup> min.
2LA007344-88		Russian/ English	6 V DC	390 mA ± 15 %	60 cd/m <sup>2</sup> min.

Optional layout examples. Further information on request.



## Wall-mounted LED Exit Signs | 2LA455619-XX and 2LA455833-XX



### TECHNICAL DATA

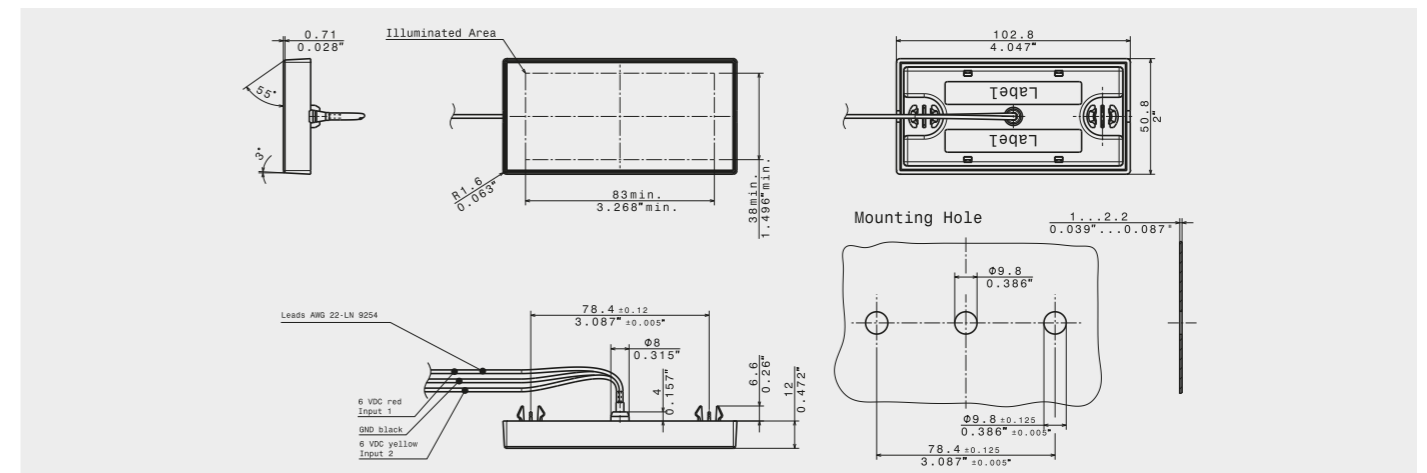
<b>Operating Voltage</b>	6 V DC max.
<b>Operating Current</b>	48 mA ± 25 % at 6 V DC
<b>Luminance</b>	see variant table
<b>Color of Housing</b>	Cloud Grey
<b>Connection</b>	see variant table; Dual Feed
<b>Dimensions</b>	102.8 x 50.8 mm/ 4.05" x 2"
<b>Weight</b>	0.052 kg/0.115 lbs max.

Part-Number	Print	Language	Luminance	Connection
2LA455619-00		English	85.7 cd/m <sup>2</sup> min.	Leads (127 mm/5"); Contact Pins
2LA455619-10		English	85.7 cd/m <sup>2</sup> min.	Leads (127 mm/5"); Contact Pins
2LA455619-12		English/ Japanese	85.7 cd/m <sup>2</sup> min.	Leads (127 mm/5"); Contact Pins
2LA455619-28		English/ Russian	85.7 cd/m <sup>2</sup> min.	Leads (127 mm/5"); Contact Pins
2LA455619-51		Chinese/ English	85.7 cd/m <sup>2</sup> min.	Leads (127 mm/5"); Contact Pins

Optional layout examples. Further information on request.

Part-Number	Print	Language	Luminance	Connection
2LA455833-00		English	60 cd/m <sup>2</sup> min.	Flying Leads (305 mm/12")
2LA455833-01		English/ Chinese	60 cd/m <sup>2</sup> min.	Flying Leads (305 mm/12")
2LA455833-03		English/ Portuguese	60 cd/m <sup>2</sup> min.	Flying Leads (305 mm/12")
2LA455833-05		Chinese/ English	60 cd/m <sup>2</sup> min.	Flying Leads (305 mm/12")
2LA455833-06		English/ Spanish	60 cd/m <sup>2</sup> min.	Flying Leads (305 mm/12")
2LA455833-08		Japanese	60 cd/m <sup>2</sup> min.	Flying Leads (305 mm/12")
2LA455833-10		English	60 cd/m <sup>2</sup> min.	Flying Leads (305 mm/12")
2LA455833-11		English/ Chinese	60 cd/m <sup>2</sup> min.	Flying Leads (305 mm/12")
2LA455833-13		English/ Portuguese	60 cd/m <sup>2</sup> min.	Flying Leads (305 mm/12")
2LA455833-15		Chinese/ English	60 cd/m <sup>2</sup> min.	Flying Leads (305 mm/12")
2LA455833-16		English/ Spanish	60 cd/m <sup>2</sup> min.	Flying Leads (305 mm/12")
2LA455833-18		Japanese	60 cd/m <sup>2</sup> min.	Flying Leads (305 mm/12")

Optional layout examples. Further information on request.



## Wall-mounted LED Exit Signs | 2LA455621-XX

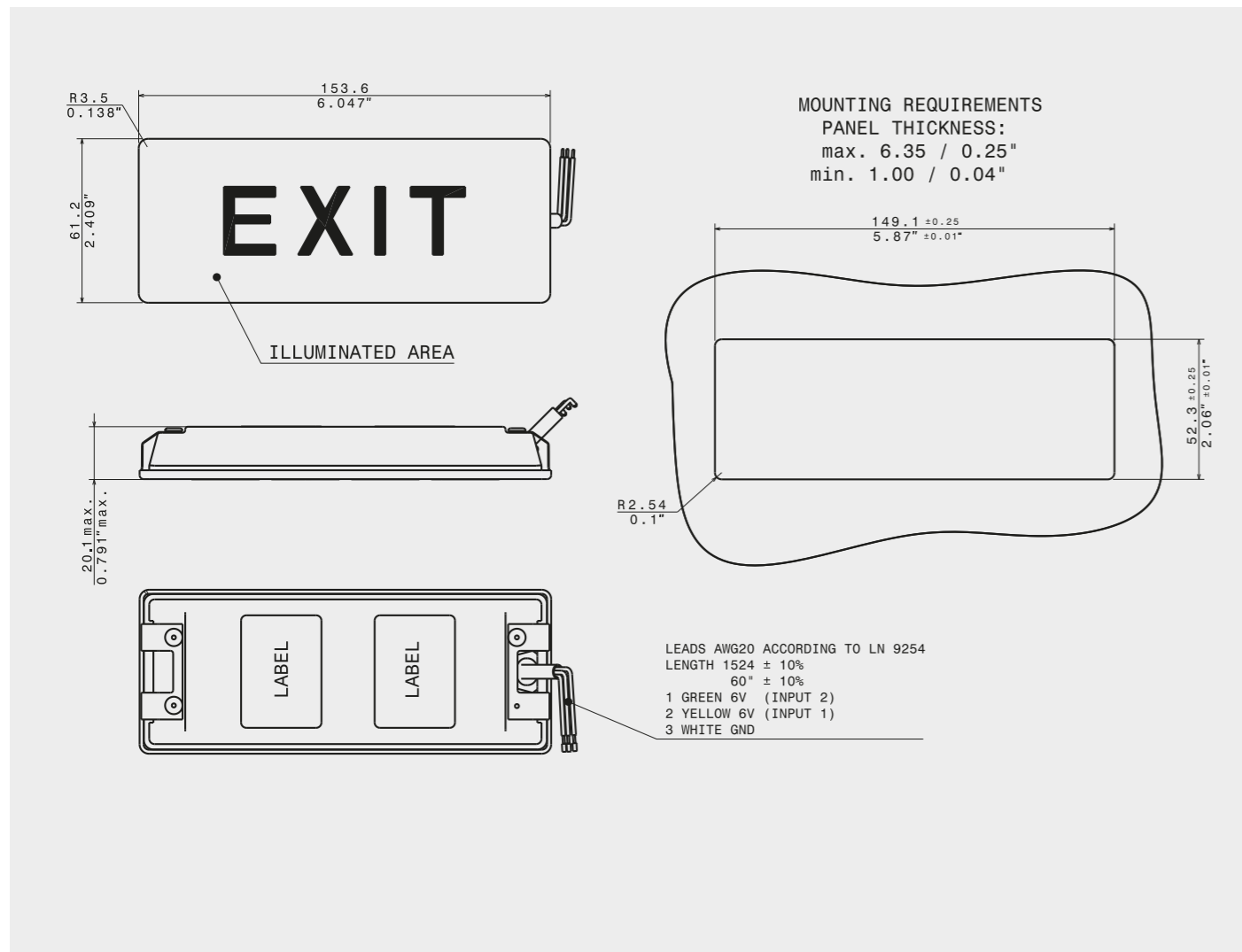


Part-Number	Print	Language
2LA455621-00	EXIT	English
2LA455621-08	非常口	Japanese
2LA455621-09	خروج	Arabic (Libya)
2LA455621-10	EXIT	English
2LA455621-11	EXIT 出口	English/Chinese
2LA455621-15	مخرج	Arabic
2LA455621-18	非常口	Japanese

Optional layout examples. Further information on request.

### TECHNICAL DATA

Operating Voltage	6 V DC
Operating Current	67 mA ± 30 %
Luminance	85.7 cd/m <sup>2</sup> min.
Connection	Flying Leads (1,524 mm/60"); Dual Feed
Dimensions	153.6 x 61.2 mm/ 6.047" x 2.409"
Weight	0.120 kg/0.265 lbs max.



## Wall-mounted LED Exit Signs | 2LA006952-XX



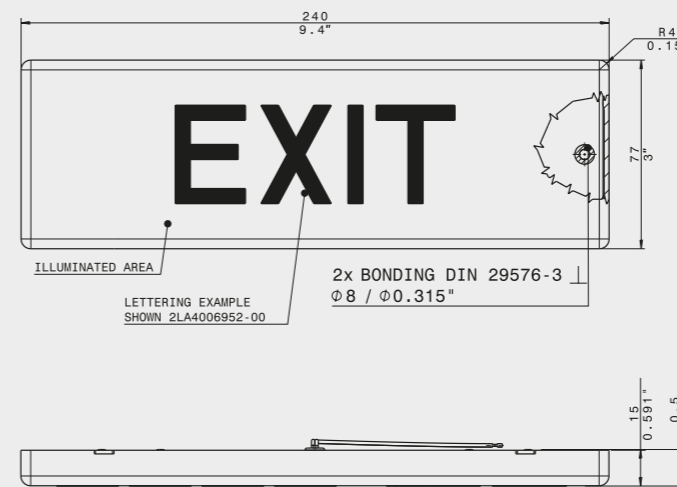
Part-Number	Print	Language	Connection
2LA006952-00	EXIT	English	Flying Leads (570 mm/22.44")
2LA006952-15	ВЫХОД EXIT	Russian/English with arrow left	Flying Leads (570 mm/22.44")
2LA006952-50	EXIT	English with arrow right	Flying Leads (241 mm/9.49"); Dual Feed
2LA006952-51	EXIT	English with arrow left	Flying Leads (241 mm/9.49"); Dual Feed
2LA006952-56	EXIT	English	Flying Leads (241 mm/9.49"); Dual Feed

Optional layout examples. Further information on request.

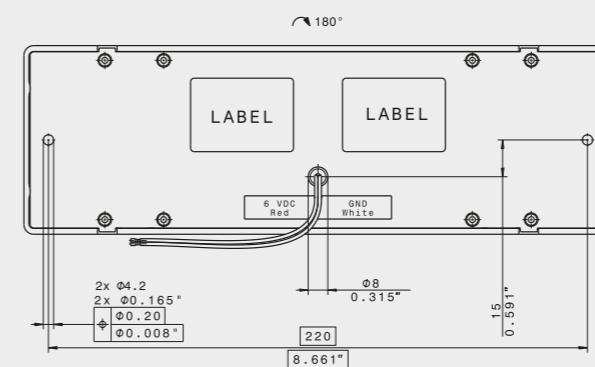
### TECHNICAL DATA

Operating Voltage	6 V DC
Operating Current	150 mA ± 20 %
Luminance	85.7 cd/m <sup>2</sup> min.
Connection	see variant table
Dimensions	240 x 77 mm/9.4" x 3"
Weight	0.180 kg/0.396 lbs max.

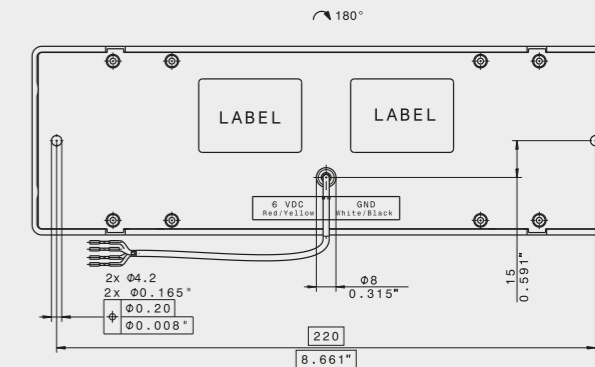
### 2LA006952-XX



### 2LA006952-00/-15



### 2LA006952-50/-51/-56

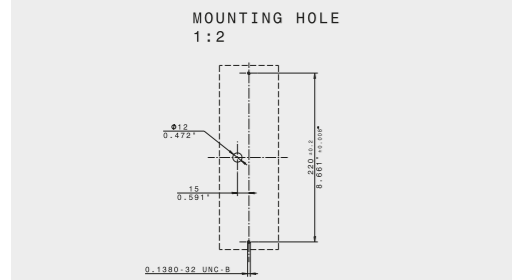
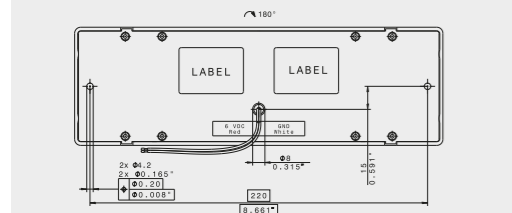
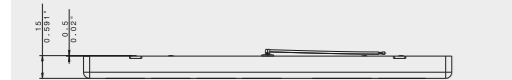
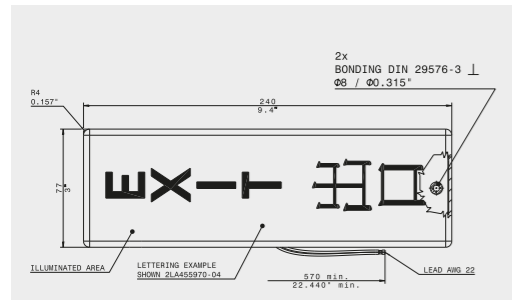


## Wall-mounted LED Exit Signs | 2LA455970-XX



### TECHNICAL DATA

Operating Voltage	6 V DC
Operating Current	150 mA ± 20 %
Luminance	85.7 cd/m <sup>2</sup> min.
Connection	Flying Leads (570 mm/22.44")
Dimensions	240 x 77 mm/9.4" x 3"
Weight	0.180 kg/0.396 lbs max.



Part-Number	Print	Language
2LA455970-01	EXIT	English
2LA455970-03	SAÍDA EXIT	English/ Portuguese
2LA455970-04	EXIT 出口	English/ Chinese
2LA455970-06	SAÍDA EXIT	English/ Spanish
2LA455970-10	EXIT יציאה	English/ Hebrew

Part-Number	Print	Language
2LA455970-11	KELUAR EXIT	English/ Malaysian
2LA455970-14	EXIT ΕΞΟΔΟΣ	English/ Greek
2LA455970-15	出口 EXIT	Chinese/ English
2LA455970-17	EXIT निर्गत	English/ Hindi

Part-Number	Print	Language
2LA455970-05	EXIT مخرج	English/Arabic
2LA455970-07	ÇIKIŞ EXIT →	Turkish/English with arrow right
2LA455970-08	←EXIT ÇIKIŞ	English/Turkish with arrow left
2LA455970-27	EXIT →	English with arrow right
2LA455970-28	←EXIT	English with arrow left

Optional layout examples. Further information on request.

## Wall-mounted LED Exit Signs | 2LA455612-XX

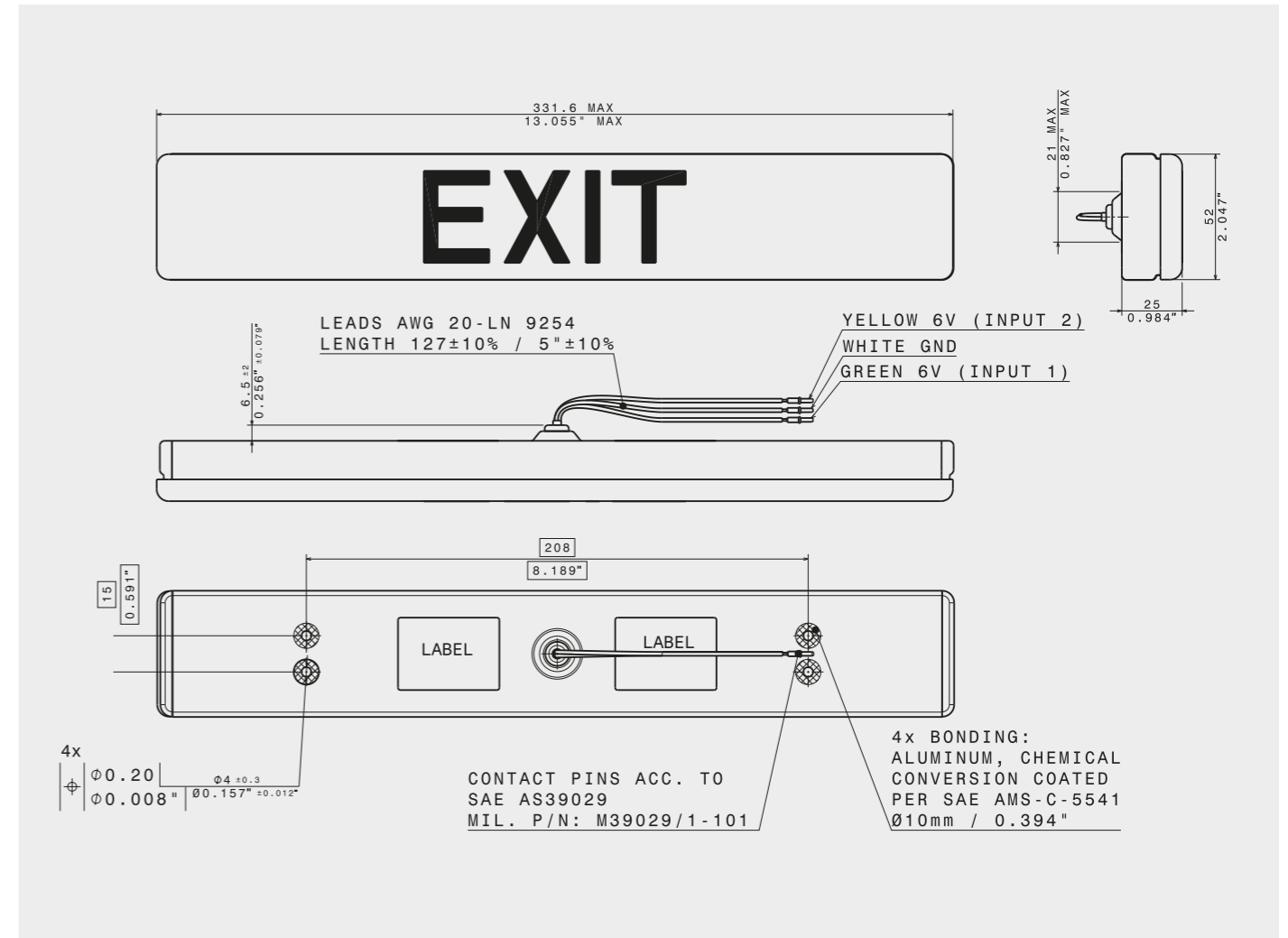


### TECHNICAL DATA

Operating Voltage	6 V
Operating Current	55 mA ± 25 %
Luminance	85.7 cd/m <sup>2</sup> min.
Connection	Leads (127 mm/5") with Contact Pins; Dual Feed
Dimensions	331.6 x 52 mm/ 13.055" x 2.047"
Weight	0.250 kg/0.551 lbs max.

Part-Number	Print	Language
2LA455612-00	EXIT	English
2LA455612-01	EXIT יציאה	English/Hebrew
2LA455612-02	EXIT SORTIE	English/French
2LA455612-03	EXIT SAÍDA	English/Portuguese
2LA455612-07	EXIT ВЫХОД	English/Russian

Optional layout examples. Further information on request.



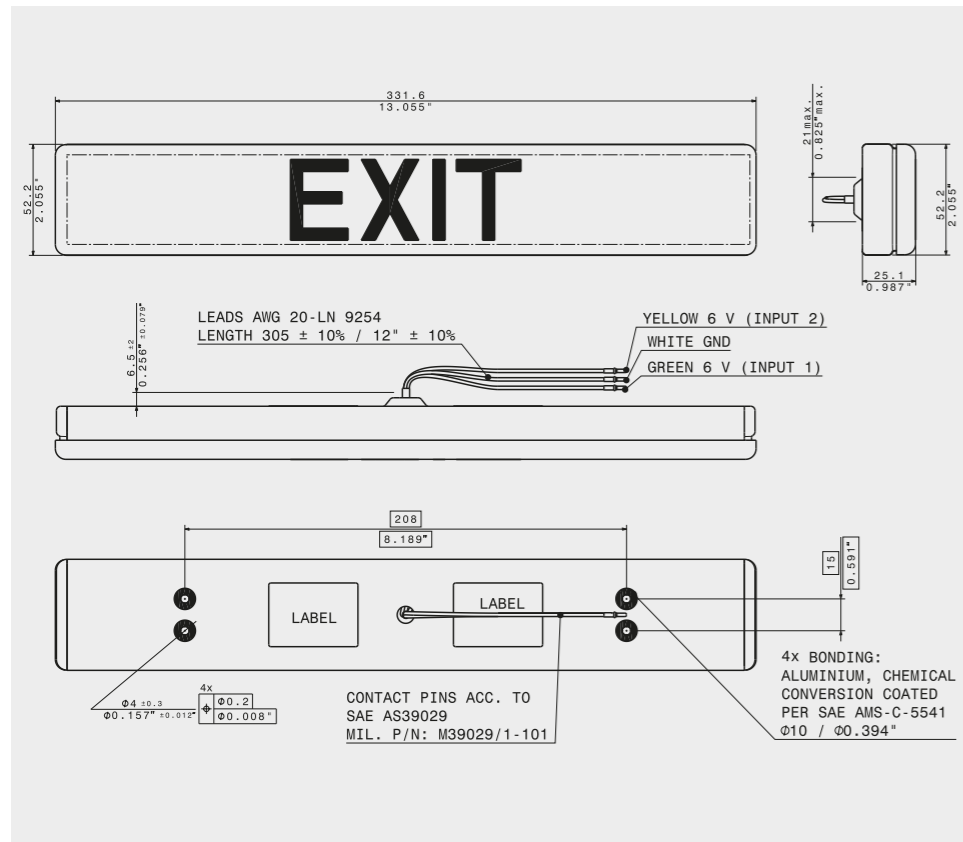
## Wall-mounted LED Exit Signs | 2LA455831-XX



Part-Number	Print	Language
2LA455831-00	EXIT	English
2LA455831-03	EXIT SAÍDA	English/Portuguese
2LA455831-04	EXIT 出口	English/Chinese
2LA455831-05	EXIT مخرج	English/Arabic
2LA455831-06	EXIT SALIDA	English/Spanish
2LA455831-08	EXIT ÇIKIŞ	English/Turkish
2LA455831-09	EXIT خروج	English/Arabic (Libya)
2LA455831-11	EXIT KELUAR	English/Malaysian
2LA455831-12	EXIT 出口	English/Chinese (Mandarin)
2LA455831-13	EXIT 出口	English/Chinese (Traditional)
2LA455831-14	EXIT ΕΞΟΔΟΣ	English/Greek
2LA455831-15	出口 EXIT	Chinese/English
2LA455831-17	EXIT बाहर	English/Hindi
2LA455831-19	EXIT خروج	English/Arabic (Libya) with arrow top
2LA455831-20	EXIT خروج	English/Arabic (Libya) with arrow top left
2LA455831-23	EXIT AUSGANG	English/German

### TECHNICAL DATA

Operating Voltage	6 V
Operating Current	55 mA ± 25 %
Luminance	85.7 cd/m <sup>2</sup> min.
Connection	Leads (305 mm/12") with Contact Pins; Dual Feed
Dimensions	331.6 x 52.2 mm/ 13.055" x 2.055"
Weight	0.250 kg/0.551 lbs max.



Part-Number	Print	Language
2LA455831-21	EXIT	English/Arabic (Libya) with arrow top
2LA455831-22	EXIT	English/Arabic (Libya)

Optional layout examples.  
Further information on request.

## Wall-mounted LED Exit Sign | 2LA456218-XX

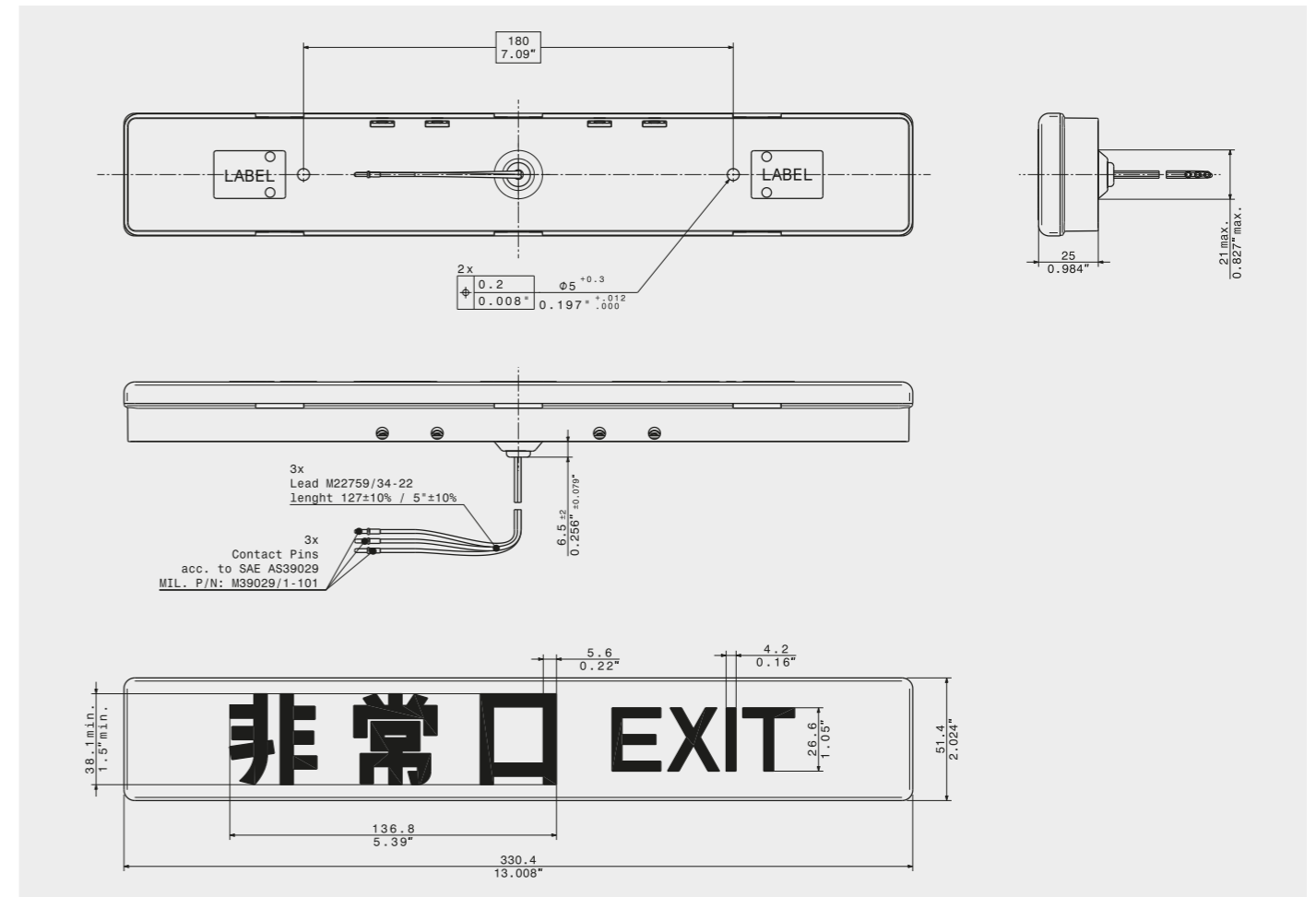


Part-Number	Print	Language
2LA456218-12	非常口 EXIT	Japanese/English

Optional layout examples. Further information on request.

### TECHNICAL DATA

Operating Voltage	5.6 V DC
Operating Current	76 mA ± 25 %
Luminance	85.7 cd/m <sup>2</sup> min.
Connection	Leads (127 mm/5") with Contact Pins; Dual Feed
Dimensions	330.4 x 51.4 mm/ 13.008" x 2.024"
Weight	0.260 kg/0.573 lbs max.



## Wall-mounted LED Exit Sign | 2LA456323-XX

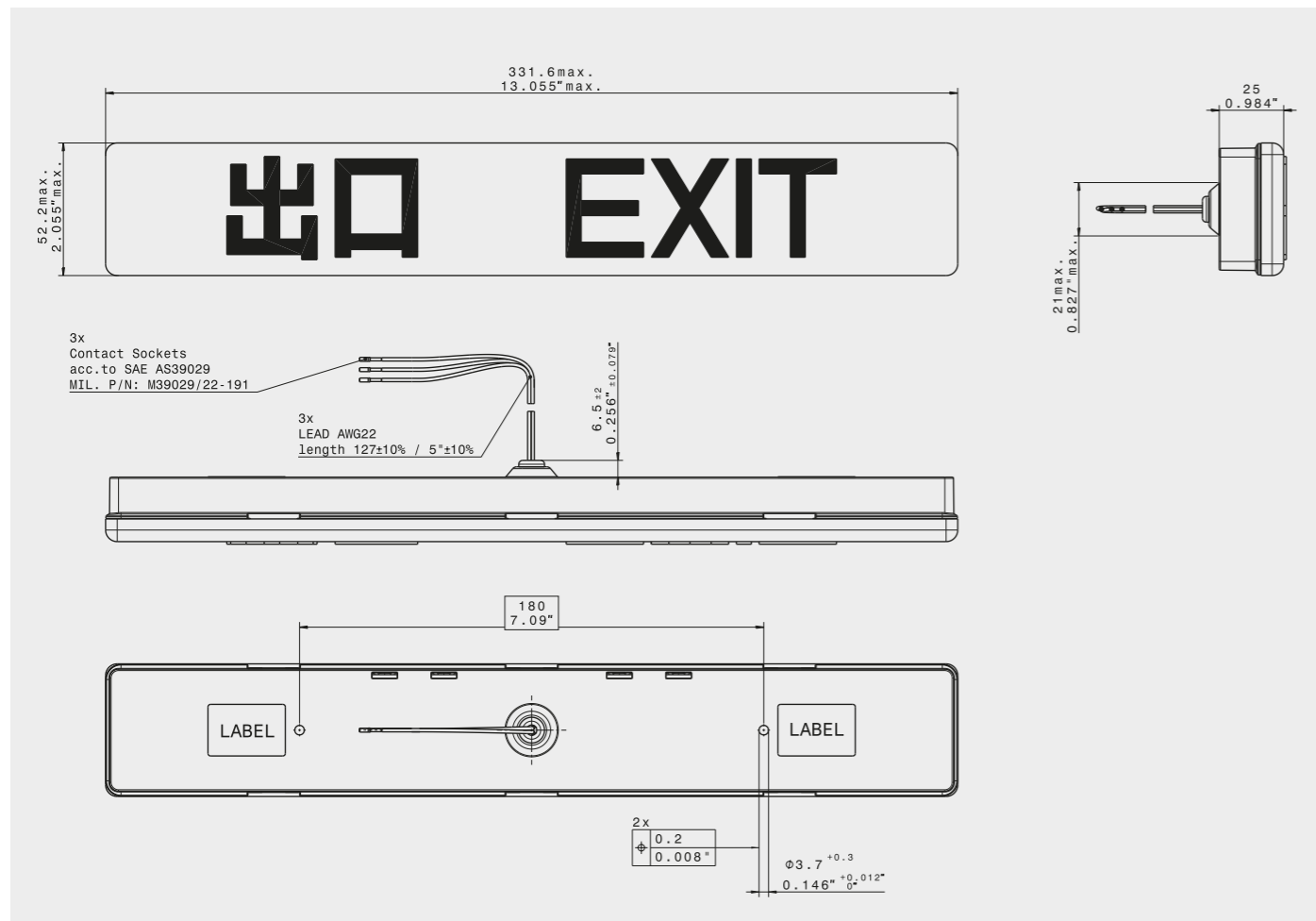


Part-Number	Print	Language
2LA456323-20	◀ 出口 EXIT ▶	Chinese/English with arrows left and right
2LA456323-21	出口 EXIT	Chinese/English

Optional layout examples. Further information on request.

### TECHNICAL DATA

Operating Voltage	6 V DC
Operating Current	55 mA ± 25 %
Luminance	85.7 cd/m <sup>2</sup> min.
Connection	Leads (127 mm/5") with Contact Sockets; Dual Feed
Dimensions	331.6 x 52.2 mm / 13.055" x 2.055"
Weight	0.260 kg/0.573 lbs max.



## Ceiling-mounted Exit Signs | 2LA455981-XX

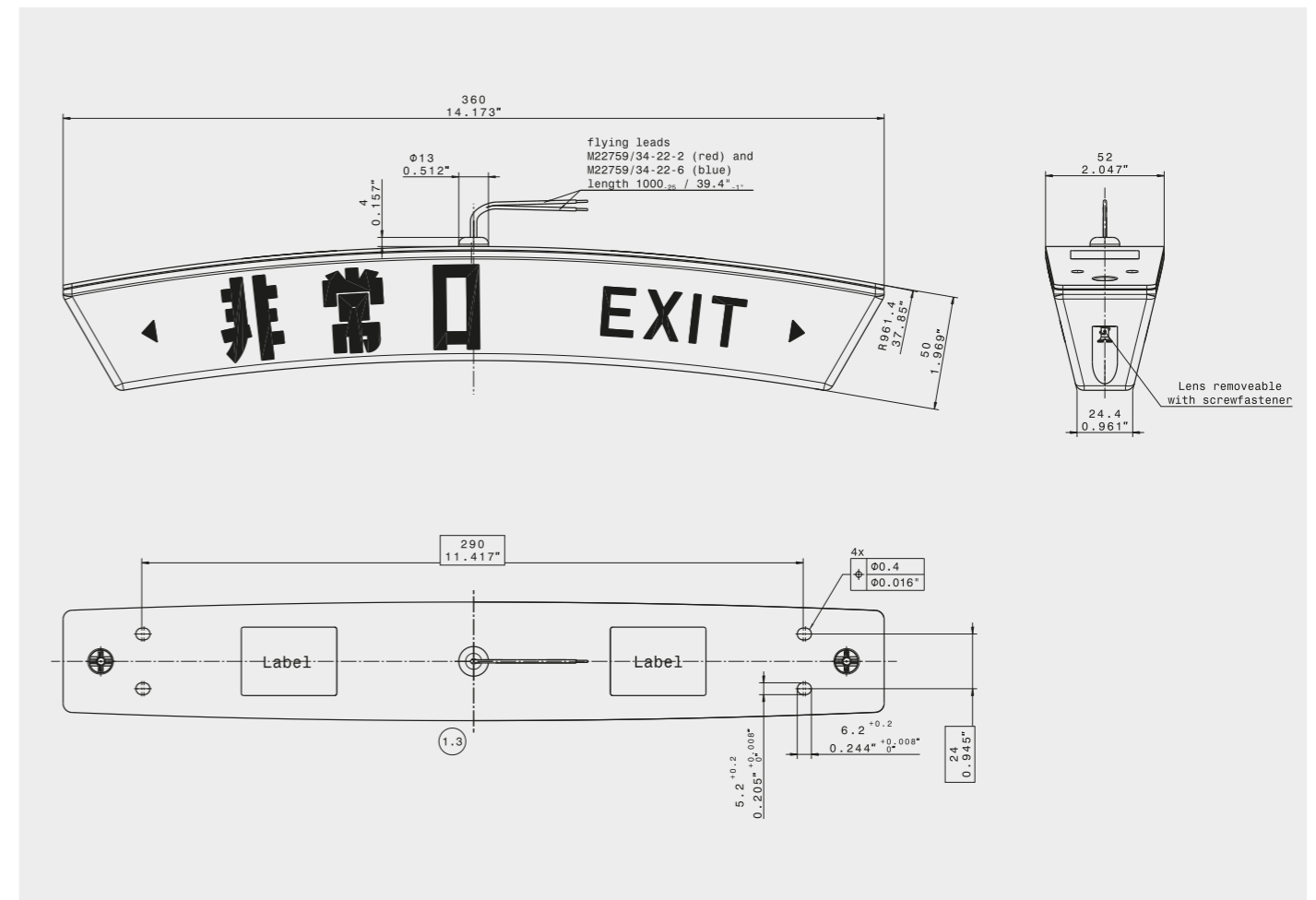


Part-Number	Print	Language
2LA455981-12	◀ 非常口 EXIT ▶	Japanese/English with arrows left and right
2LA455981-21	◀ EXIT 出口 ▶	English/Chinese with arrows left and right

Optional layout examples. Further information on request.

### TECHNICAL DATA

Operating Voltage	5.6 – 6 V DC
Operating Current	95 mA ± 25 % at 5.6 V DC
Luminance	85.7 cd/m <sup>2</sup> min.
Connection	Flying leads (1000 mm/39.4")
Dimensions	360 x 50 mm / 14.173" x 1.969"
Weight	0.250 kg/0.550 lbs max.





## Ceiling-mounted LED Master Call Lights | 2LA455408-XX



### TECHNICAL DATA

#### Operating Voltage

• Exit Locator		5.6 V DC
• Indicator Sign	Fasten Seat Belt/No Smoking	28 V DC
• Indicator Sign	Toilet	28 V DC
	Occupied	28 V DC
• LED	Red	28 V DC
	White	28 V DC
	Amber	28 V DC
	Blue	28 V DC
	Green	28 V DC

#### Operating Current

• Exit Locator		960 mA ± 30 %
• Indicator Sign	Fasten Seat Belt/No Smoking	2 x 16 mA ± 20 %
• Indicator Sign	Toilet	16 mA ± 20 %
	Occupied	16 mA ± 20 %
• LED	Red	8 mA ± 15 %
	White	9 mA ± 15 %
	Amber	18 mA ± 15 %
	Blue	9 mA ± 15 %
	Green	7 mA ± 15 %

**Connection** Connector acc. to MIL-DTL-24308; MIL P/N: M24308/4-2F Male Lever Lock M3, 15 Pins, Male

**Dimensions** 714.2 x 70.5 mm/28.119" x 2.775"

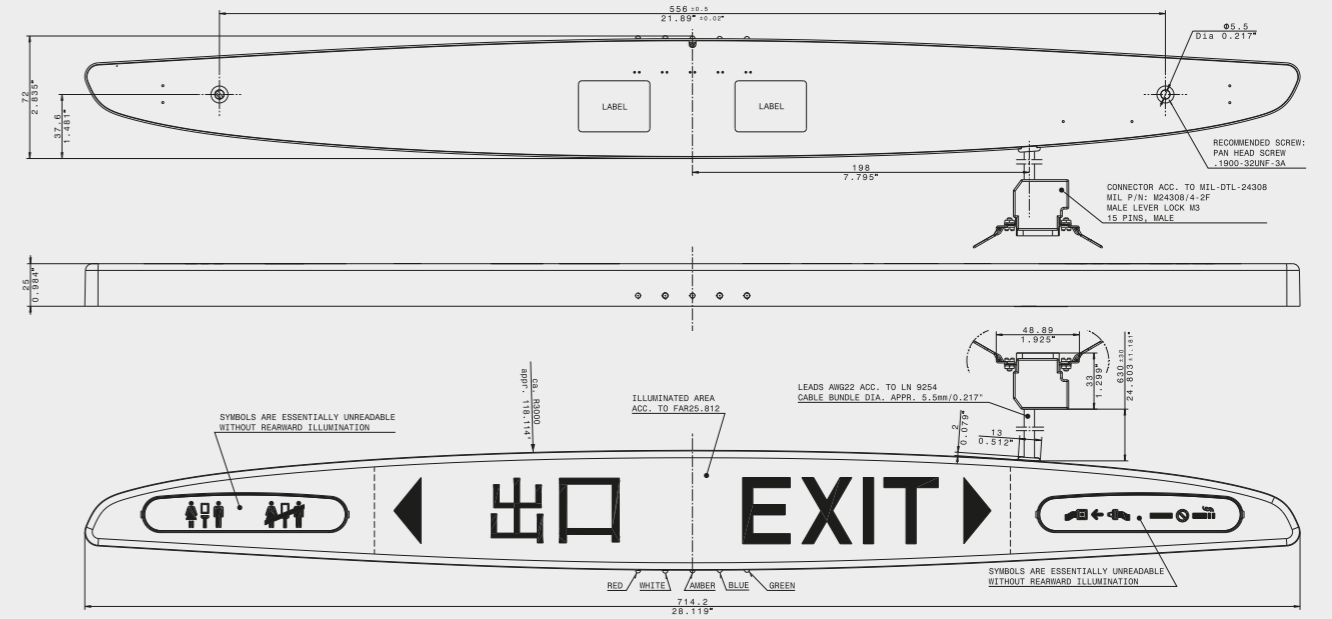
**Weight** 0.450 kg/0.982 lbs max.

Part-Number	Print	Language	Master Call Light
2LA455408-20		Chinese/English with arrows left and right	Single LEDs red, white, amber, blue, green
2LA455408-21		Chinese/English with arrows left and right	Single LEDs red, white, amber, blue, green
2LA455408-50		Chinese/English with arrows left and right	LED indicator bar red, white, amber, blue, green
2LA455408-51		Chinese/English	LED indicator bar red, white, amber, blue, green

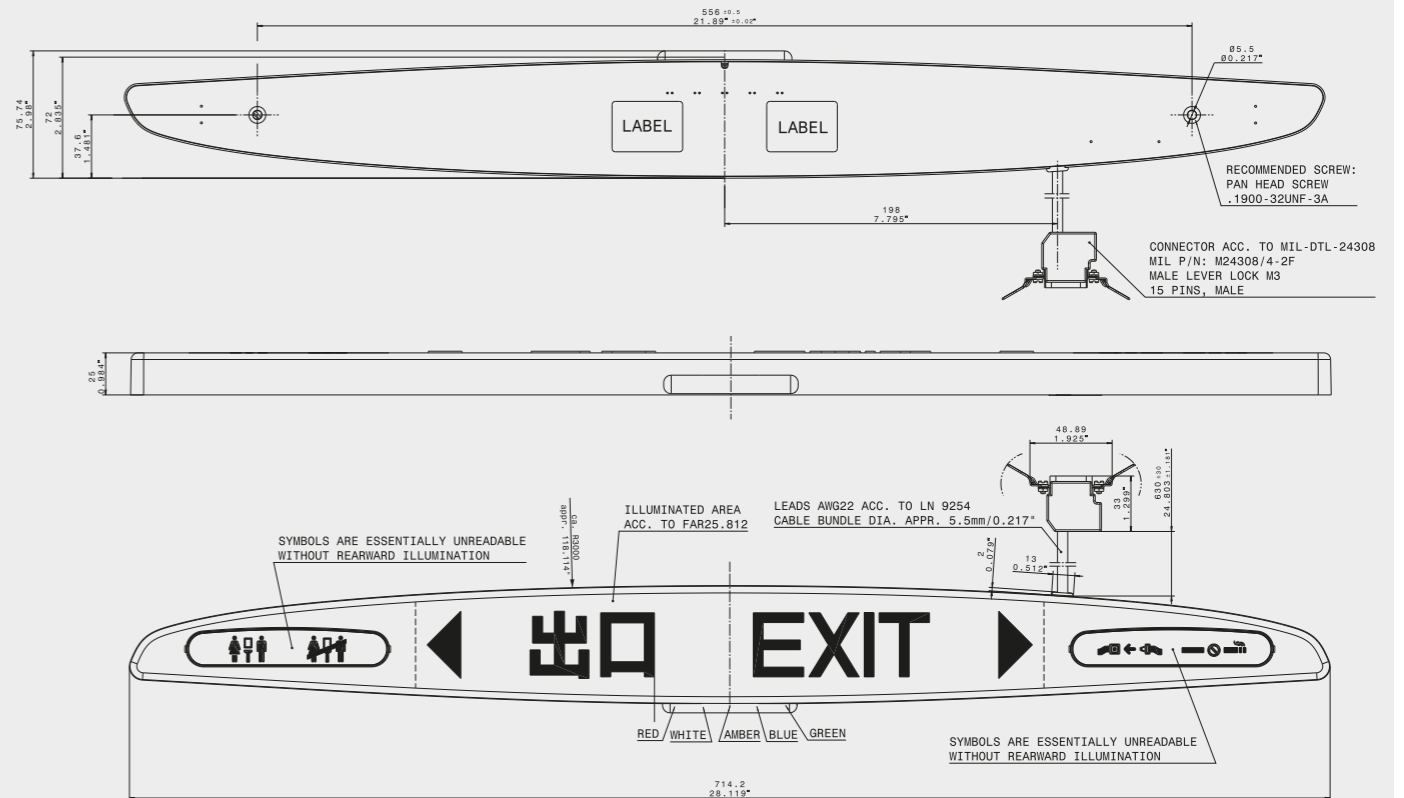
Optional layout examples. Further information on request.

## Ceiling-mounted LED Master Call Lights | 2LA455408-XX

2LA455408-20



2LA455408-50





Wall-mounted LED Exit Signs | 2LA455399-XX

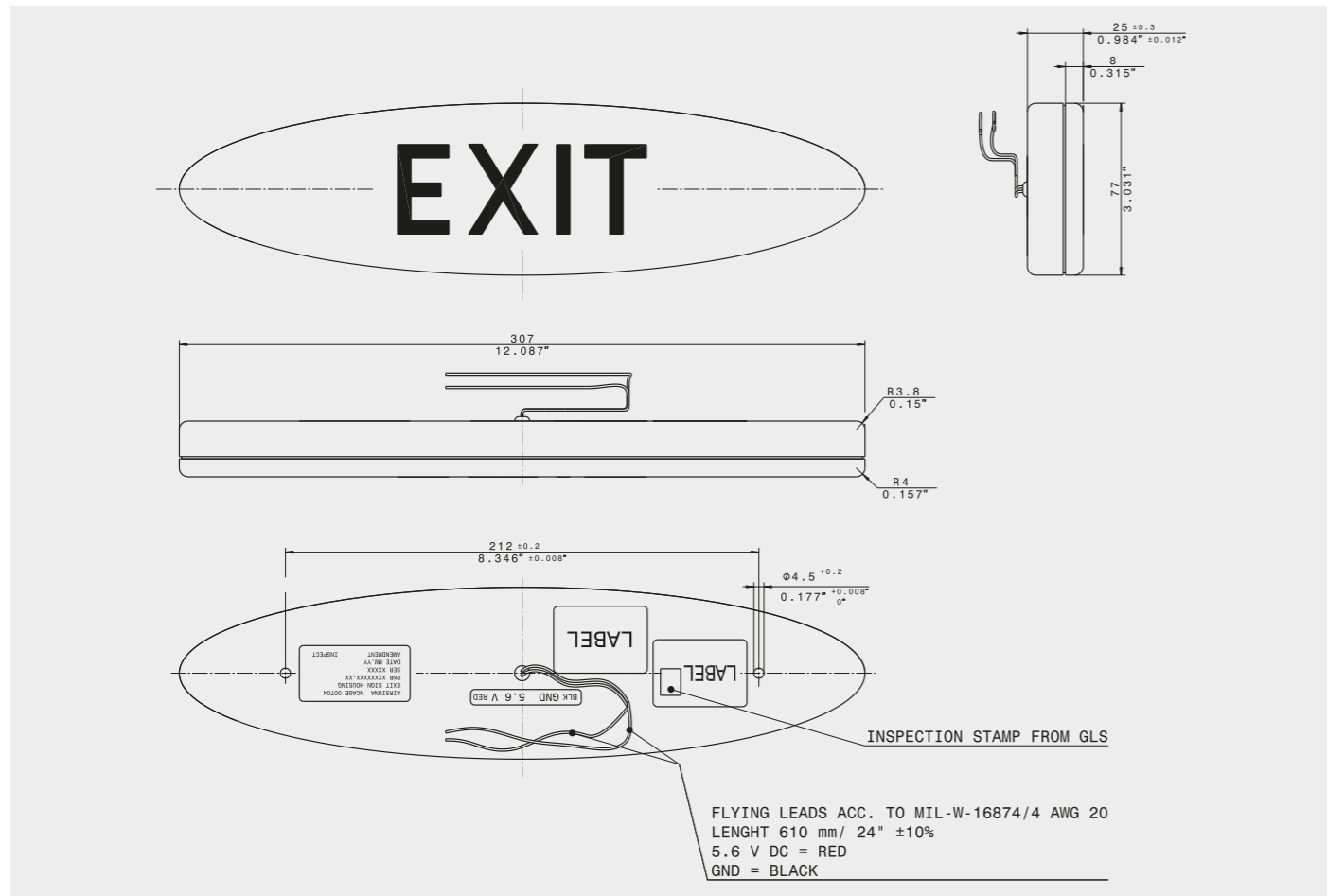


TECHNICAL DATA

Operating Voltage	5.6 V DC
Operating Current	157 mA ± 32 %
Luminance	85.7 cd/m <sup>2</sup> min.
Connection	Flying Leads (610 mm/24")
Dimensions	307 x 77 mm/ 12.087" x 3.031"
Weight	0.300 kg/0.660 lbs max.

Part-Number	Print	Language
2LA455399-00	EXIT	English
2LA455399-01	◀EXIT▶	English with arrows left and right
2LA455399-02	SORTIE EXIT	French/English
2LA455399-03	AUSGANG EXIT	German/English
2LA455399-04	SALIDA EXIT	Spanish/English
2LA455399-05	非常口 EXIT	Japanese/English
2LA455399-06	SORTIE ◀EXIT▶	French/English with arrows left and right
2LA455399-07	AUSGANG ◀EXIT▶	German/English with arrows left and right
2LA455399-08	SALIDA ◀EXIT▶	Spanish/English with arrows left and right
2LA455399-09	非常口 ◀EXIT▶	Japanese/English with arrows left and right
2LA455399-10	出口 EXIT	Chinese/English
2LA455399-21	出口 EXIT	Chinese/English

Optional layout examples. Further information on request.

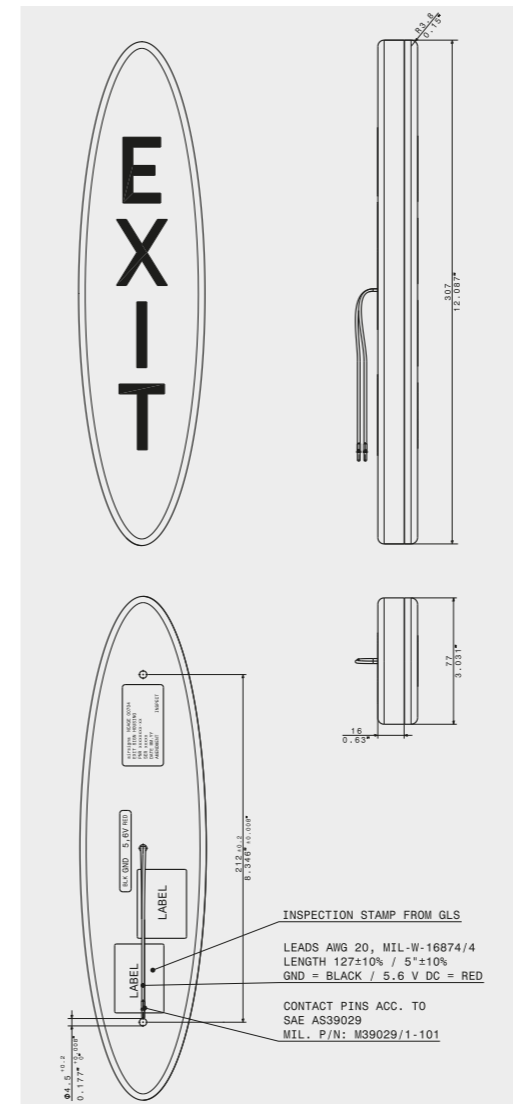


Wall-mounted LED Exit Signs | 2LA455613-XX



TECHNICAL DATA

Operating Voltage	5.6 V DC
Operating Current	157 mA ± 32 %
Luminance	85.7 cd/m <sup>2</sup> min.
Connection	Leads (127 mm/5") with Contact Pins
Dimensions	307 x 77 mm/ 12.087" x 3.031"
Weight	0.300 kg/0.660 lbs max.



Part-Number	Print	Language
2LA455613-00	EXIT	English
2LA455613-01	EXIT EXIT	English/Hebrew
2LA455613-02	ES SORTIE	English/French
2LA455613-03	ES SALIDA	English/Portuguese
2LA455613-04	EXIT 出口	English/Chinese
2LA455613-08	EXIT EXIT	English/Turkish

Part-Number	Print	Language
2LA455613-10	ES SALIDA	English/Spanish
2LA455613-11	EXIT EXIT	English/Malaysian
2LA455613-13	EXIT EXIT	English/Arabic (Libya)
2LA455613-15	出口 EXIT	Chinese/English
2LA455613-16	EXIT EXIT	Russian
2LA455613-23	EXIT EXIT	English/German

Part-Number	Print	Language
2LA455613-05	EXIT مخرج	English/Arabic
2LA455613-09	EXIT خروج	English/Arabic (Libya)
2LA455613-12	EXIT 非常口	English/Japanese

Optional layout examples. Further information on request.

Wall-mounted LED Exit Signs | 2LA455093-XX



Part-Number	Print	Language
2LA455093-00	EXIT EXIT	English
2LA455093-08	非常口 非常口	Japanese

Optional layout examples. Further information on request.

TECHNICAL DATA

Operating Voltage	6 V DC
Operating Current	420 mA ± 30 %
Luminance	85.7 cd/m <sup>2</sup> min.
Connection	Leads (305 mm/12") with Contact Pins; Dual Feed
Dimensions	232.6 x 75 mm / 9.16" x 2.95"
Weight	0.200 kg/0.441 lbs max.

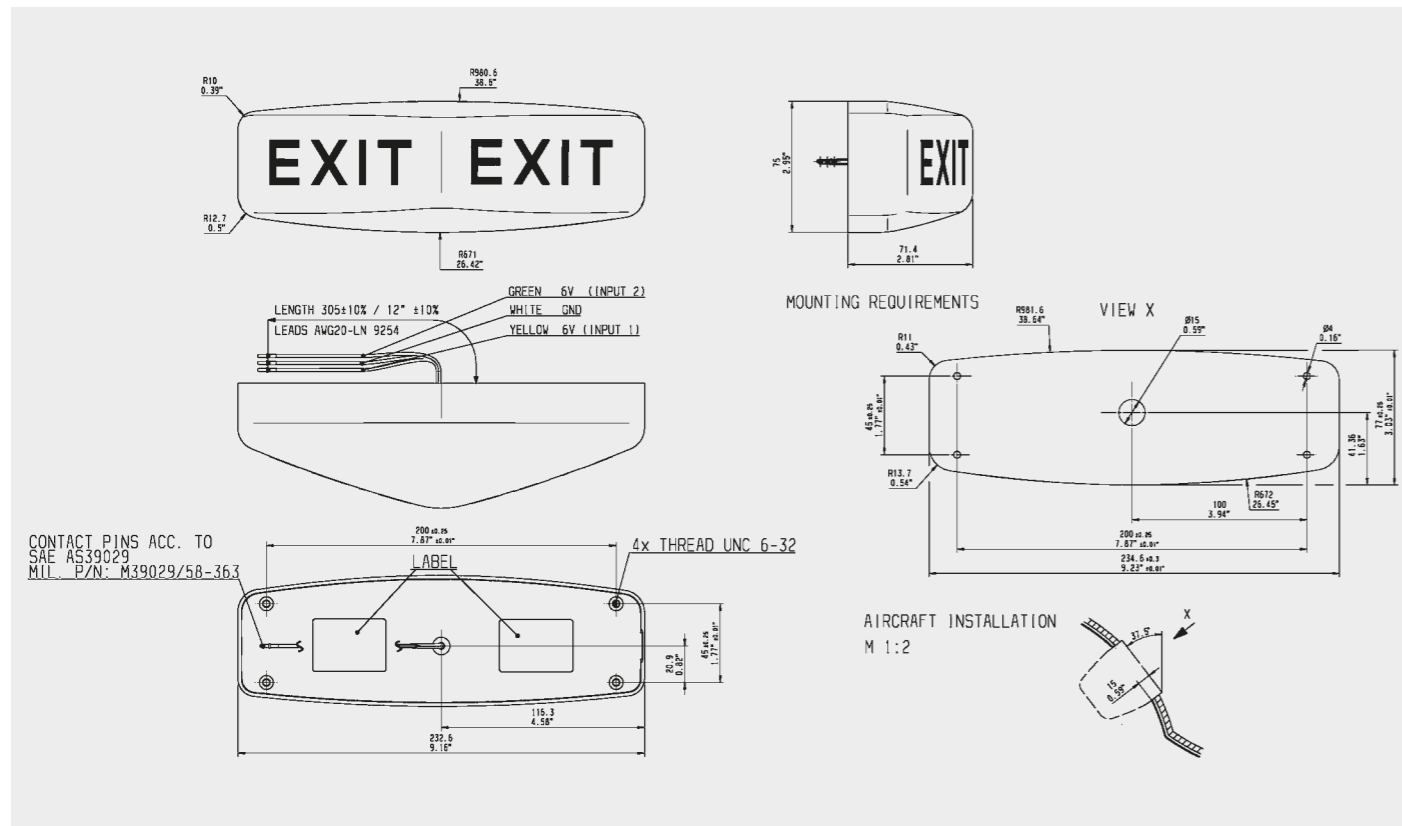
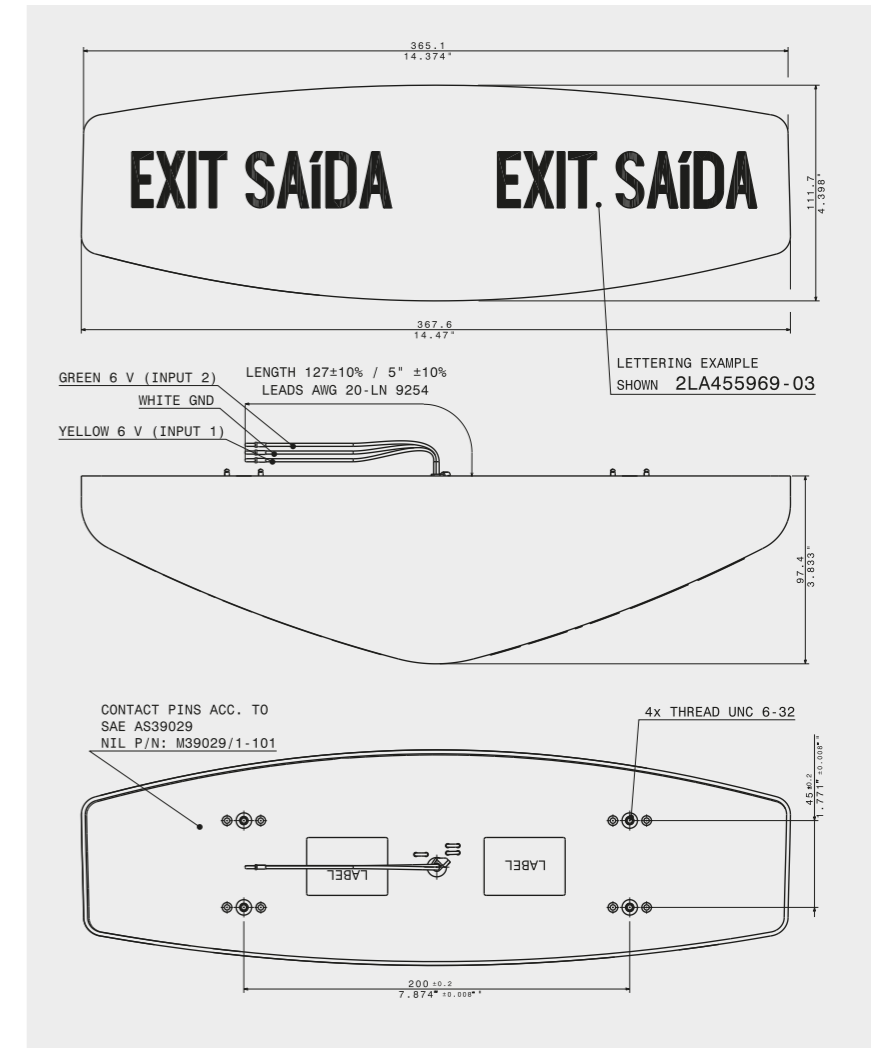
Wall-mounted LED Exit Signs | 2LA455620-XX and 2LA455969-XX



2LA455620-03 and -00

TECHNICAL DATA

Operating Voltage	6 V DC
Operating Current	170 mA ± 30 %
Luminance	85.7 cd/m <sup>2</sup> min.
Connection	Leads (127 mm/5") with Contact Pins; Dual Feed
Dimensions	365.1 x 111.7 mm / 14.374" x 4.398"
Weight	0.600 kg/1.323 lbs max.

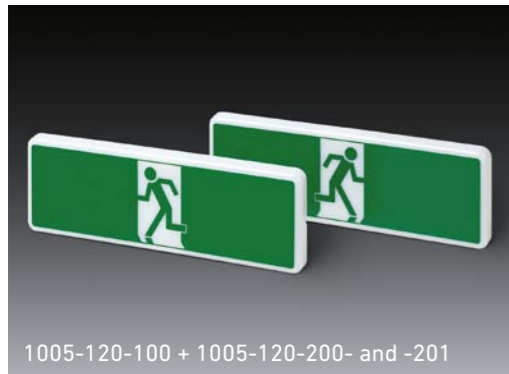


Part-Number	Print	Language
2LA455620-00	EXIT EXIT	English
2LA455620-01	EXIT יציאה EXIT יציאה	English/Hebrew
2LA455620-02	EXIT SORTIE EXIT SORTIE	English/French
2LA455620-03	EXIT SAIDA EXIT SAIDA	English/Portuguese
2LA455969-03	EXIT SAIDA EXIT SAIDA	English/Portuguese
2LA455969-04	EXIT出口 EXIT出口	English/Chinese
2LA455969-05	EXIT مخرج EXIT مخرج	English/Arabic
2LA455969-06	EXIT SALIDA EXIT SALIDA	English/Spanish

Part-Number	Print	Language
2LA455969-08	EXIT ÇIKIŞ EXIT ÇIKIŞ	English/Turkish
2LA455969-09	EXIT خروج EXIT خروج	English/Arabic (Libya)
2LA455969-11	EXIT KELUAR EXIT KELUAR	English/Malaysian
2LA455969-14	EXIT ΕΞΟΔΟΣ EXIT ΕΞΟΔΟΣ	English/Greek
2LA455969-15	出口EXIT 出口EXIT	Chinese/English
2LA455969-17	EXIT बाहर EXIT बाहर	English/Hindi
2LA455969-23	EXIT AUSGANG EXIT AUSGANG	English/German

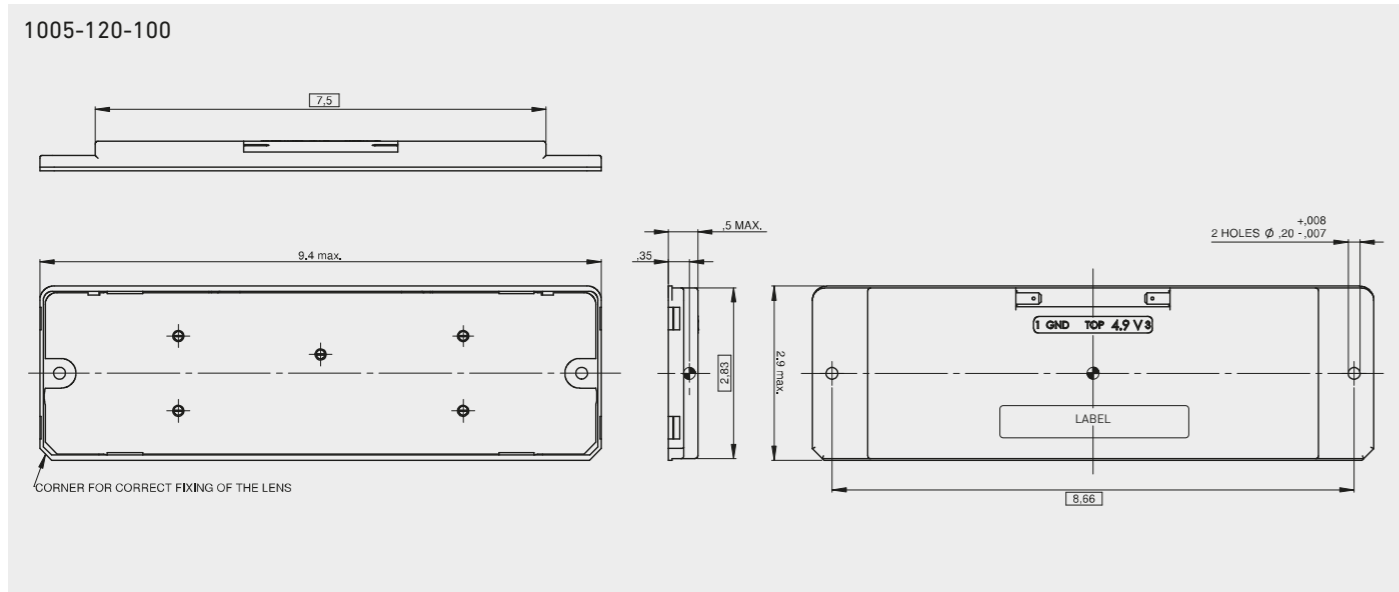
Optional layout examples. Further information on request.

## Wall-mounted Exit Signs | 1005-120-100



### TECHNICAL DATA

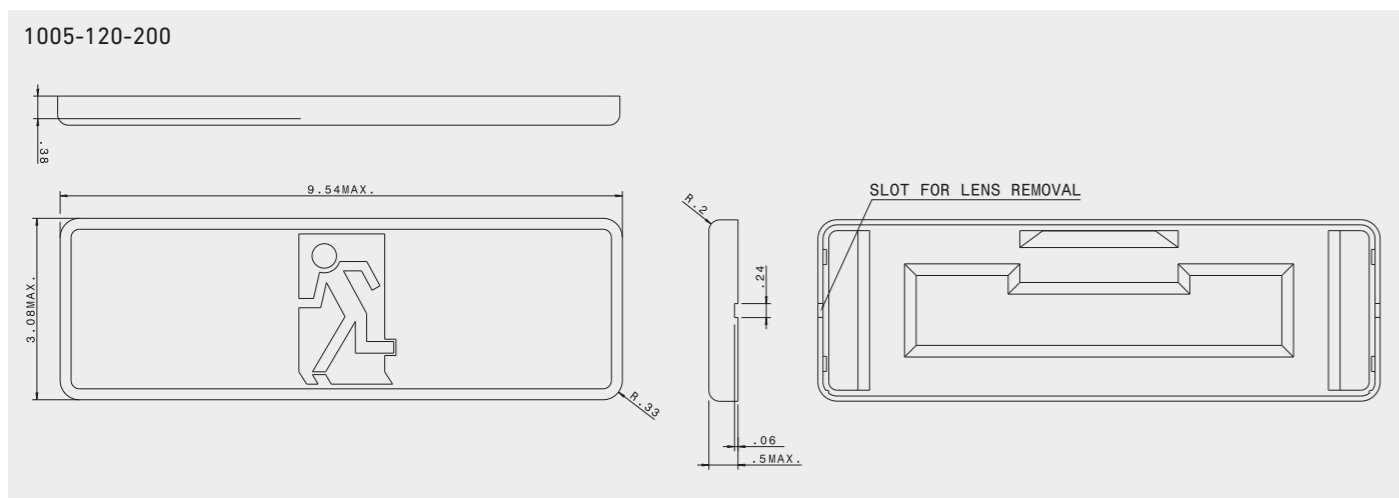
Operating Voltage	4.9 V DC
Operating Current	222 mA
Luminance	86 cd/m <sup>2</sup> min.
Connection	2 Fast-on contacts (4.8 x 0.5 mm/0.19 x 0.02")
Dimensions	238,8 x 73.7 mm/9.4" x 2.9"
Weight	0.220 kg/0.484 lbs (lens included)



## Lens Options for 1005-120-100 | 1005-120-200 and -201

Part-Number	Print	Pictogram
1005-120-200		Running man left
1005-120-201		Running man right

Optional layout examples. Further information on request.

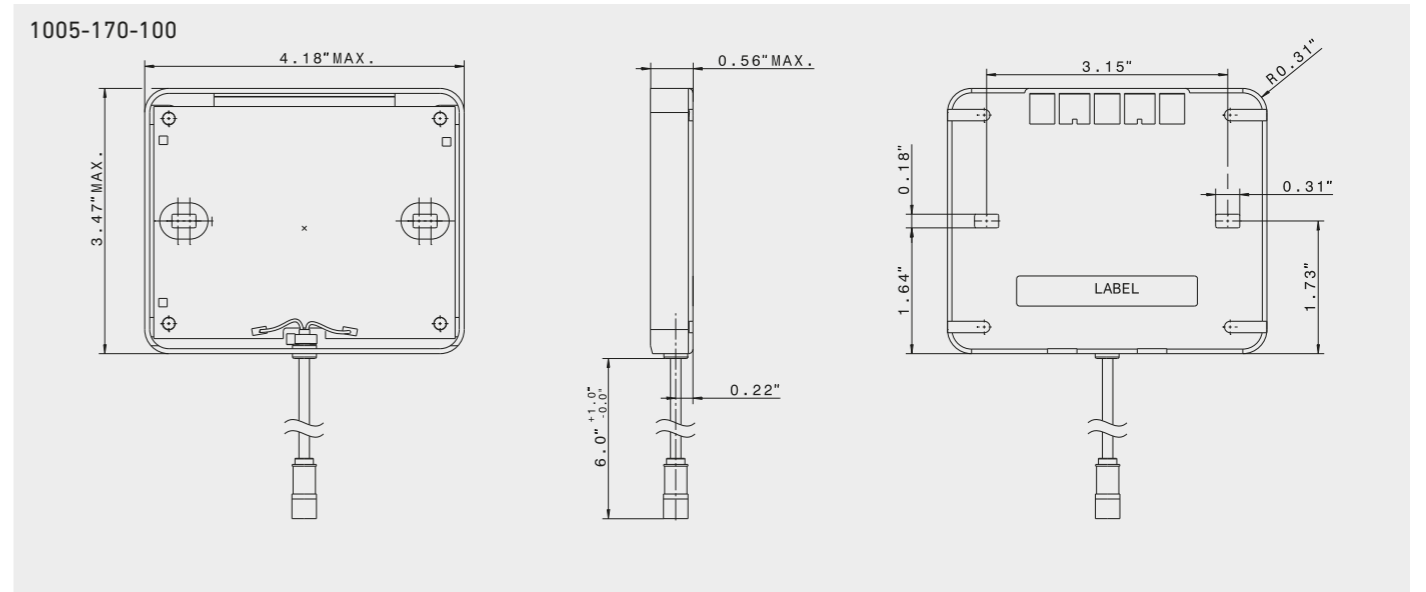


## Wall-mounted Exit Sign | 1005-170-100



### TECHNICAL DATA

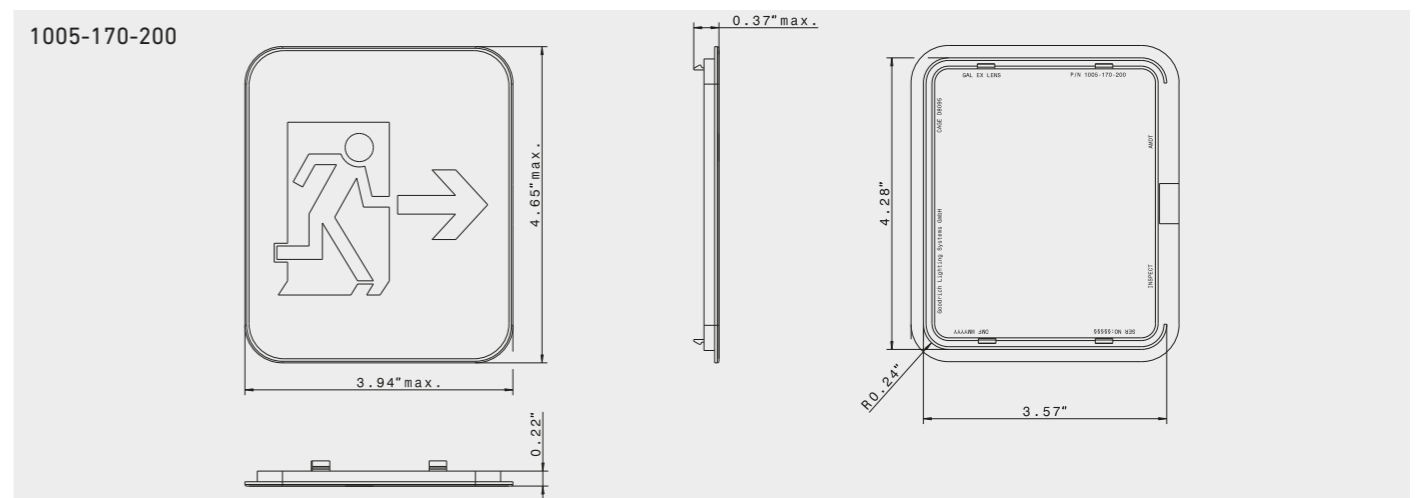
Operating Voltage	5.6 V DC
Operating Current	85.5 mA ± 25 %
Luminance	86 cd/m <sup>2</sup> min.
Connection	Connector MIL-T-81714/SJS830230 J1 with Pin Contacts MIL-C-39029/58-360
Dimensions	106.2 x 88.1 mm/4.18" x 3.47"
Weight	0.091 kg/0.201 lbs (lens included)



## Lens Option for 1005-170-100 | 1005-170-200

Part-Number	Print	Pictogram
1005-170-200		Running man right with arrow right

Optional layout example. Further information on request.



Ceiling-mounted Exit Locator with Area Call Panel | 1005-130-100/-110/-120



1005-130-100 + 1005-130-300, -400 and -200

**TECHNICAL DATA - 1005-130-100 FORWARD**

<b>Operating Voltage</b>	
• Exit Sign	5.6 V DC
• Fasten Seat Belt	28 V DC
• No Personal Electronic Devices	28 V DC
• Area Call Panel	28 V DC
<b>Operating Current</b>	
• Exit Sign	149 mA
• Fasten Seat Belt	32 mA
• No Personal Electronic Devices	44 mA
• Area Call Panel	Amber: 20 mA; Blue: 18.5 mA; Orange: 15 mA; Green: 8.5 mA; Red: 15 mA
<b>Luminance</b>	86 cd/m <sup>2</sup> min.
<b>Connection</b>	Connector J1: D38999/20FC98PN mates with D38999/26FC98SN
<b>Weight</b>	0.804 kg/1.773 lbs (lenses and bezel included)

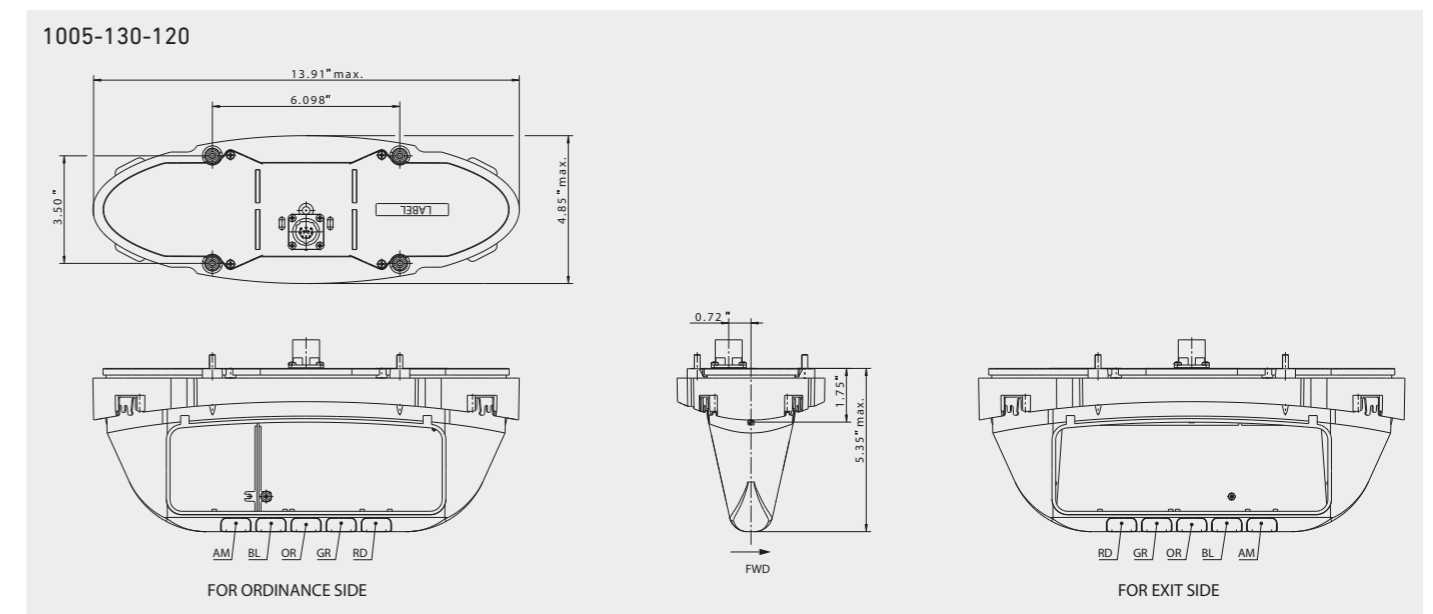
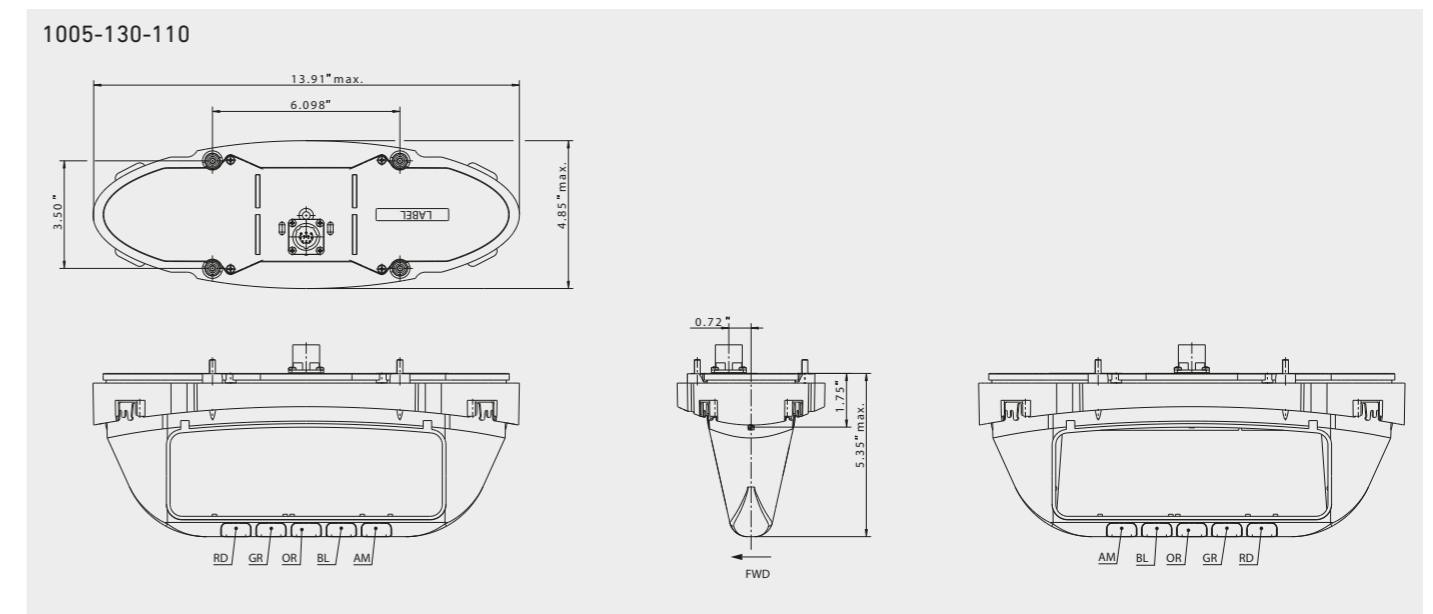
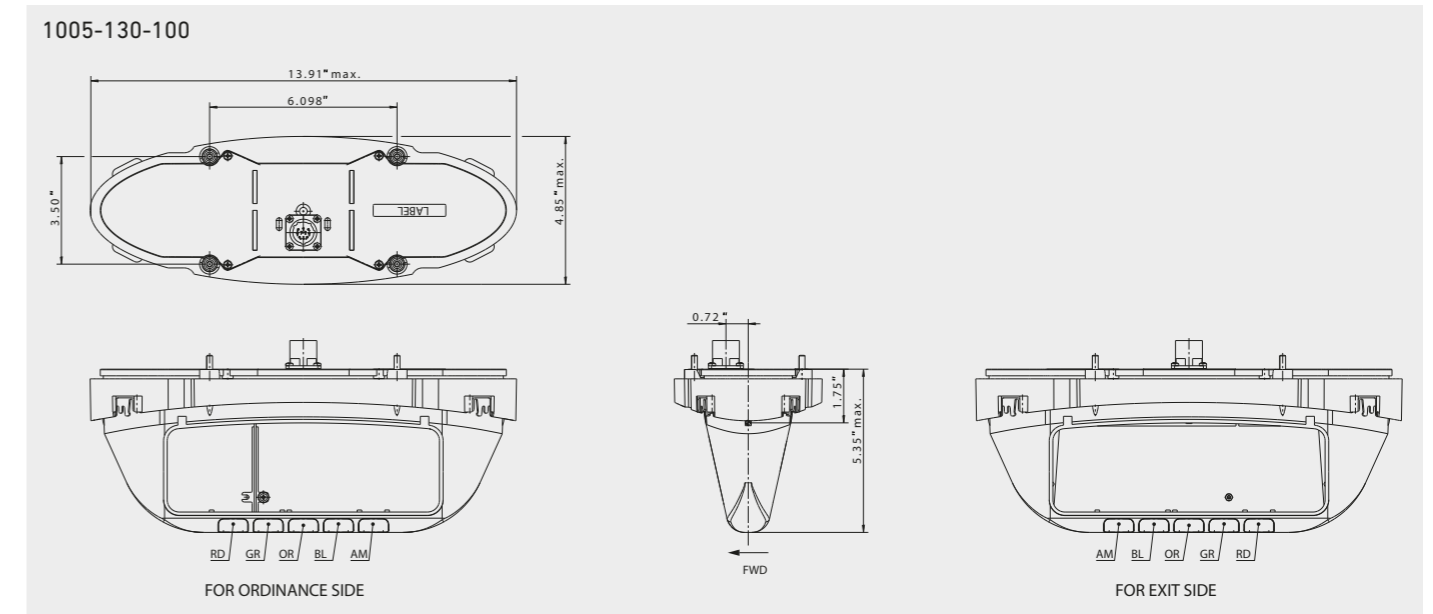
**TECHNICAL DATA - 1005-130-110 MID**

<b>Operating Voltage</b>	
• Exit Sign	5.6 V DC
• Area Call Panel	28 V DC
<b>Operating Current</b>	
• Exit Sign	297 mA
• Area Call Panel	Amber: 20 mA; Blue: 18.5 mA; Orange: 15 mA; Green: 8.5 mA; Red: 15 mA
<b>Luminance</b>	86 cd/m <sup>2</sup> min.
<b>Connection</b>	Connector J1: D38999/20FC98PN mates with D38999/26FC98SN
<b>Weight</b>	0.799 kg/1.762 lbs (lenses and bezel included)

**TECHNICAL DATA - 1005-130-120 AFT**

<b>Operating Voltage</b>	
• Exit Sign	5.6 V DC
• Fasten Seat Belt	28 V DC
• No Personal Electronic Devices	28 V DC
• Area Call Panel	28 V DC
<b>Operating Current</b>	
• Exit Sign	149 mA
• Fasten Seat Belt	32 mA
• No Personal Electronic Devices	44 mA
• Area Call Panel	Amber: 20 mA; Blue: 18.5 mA; Orange: 15 mA; Green: 8.5 mA; Red: 15 mA
<b>Luminance</b>	86 cd/m <sup>2</sup> min.
<b>Connection</b>	Connector J1: D38999/20FC98PN mates with D38999/26FC98SN
<b>Weight</b>	0.804 kg/1.773 lbs (lenses and bezel included)

Ceiling-mounted Exit Locator with Area Call Panel | 1005-130-100/-110/-120

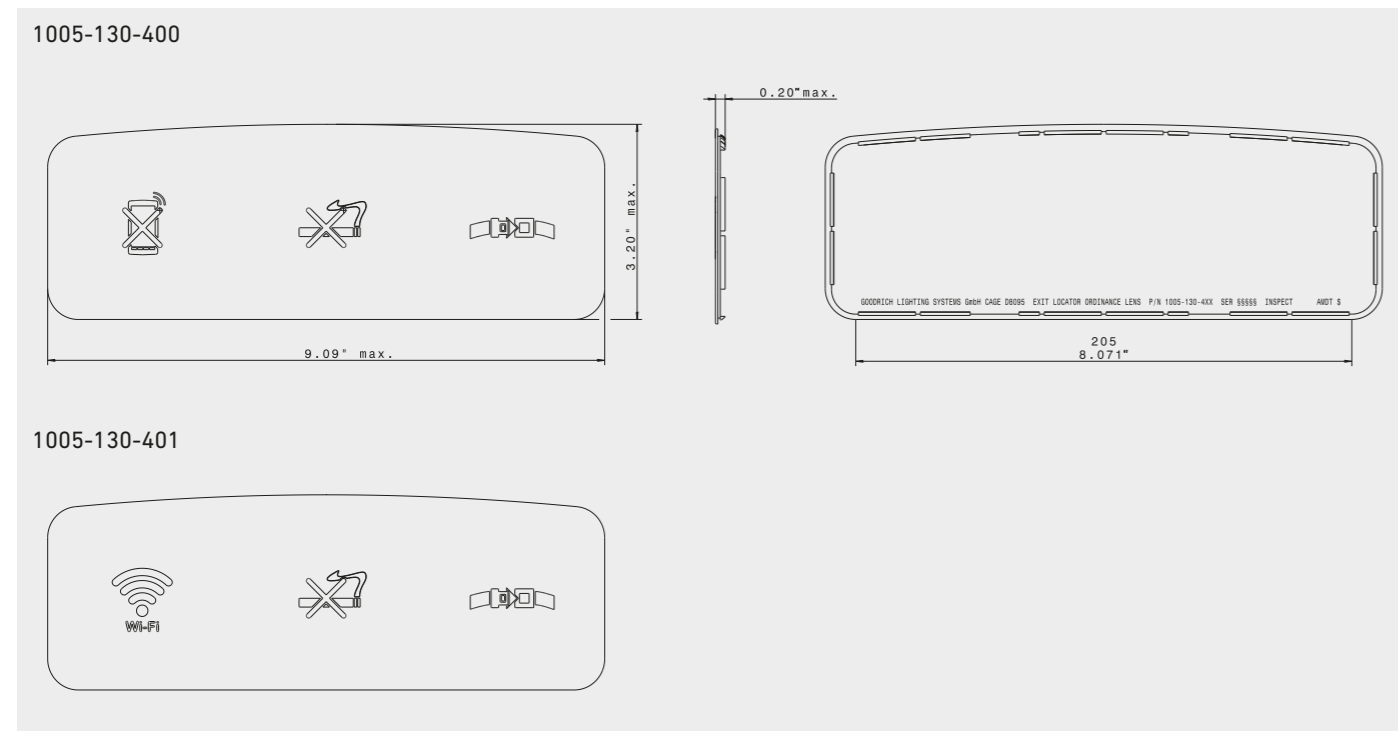
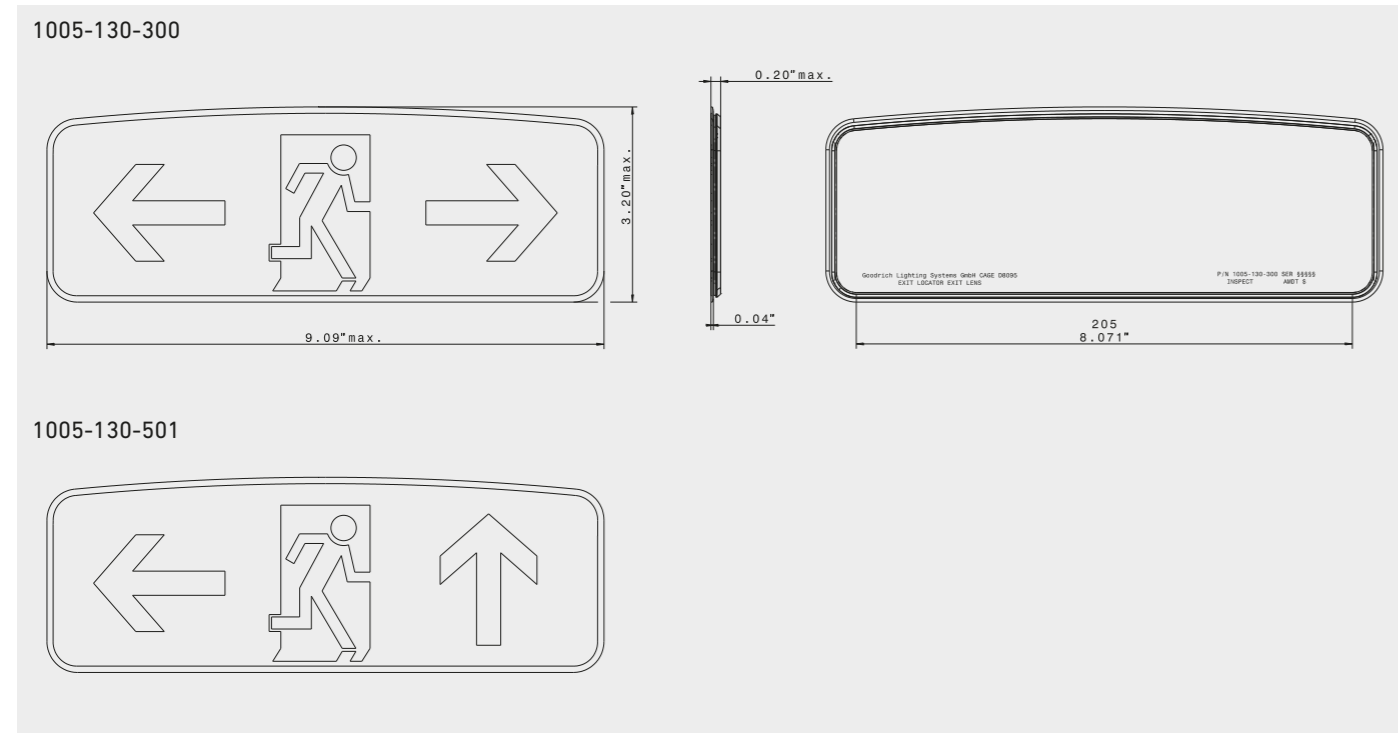




### Lens Options for 1005-130-1XX | 1005-130-30, -4XX and -501

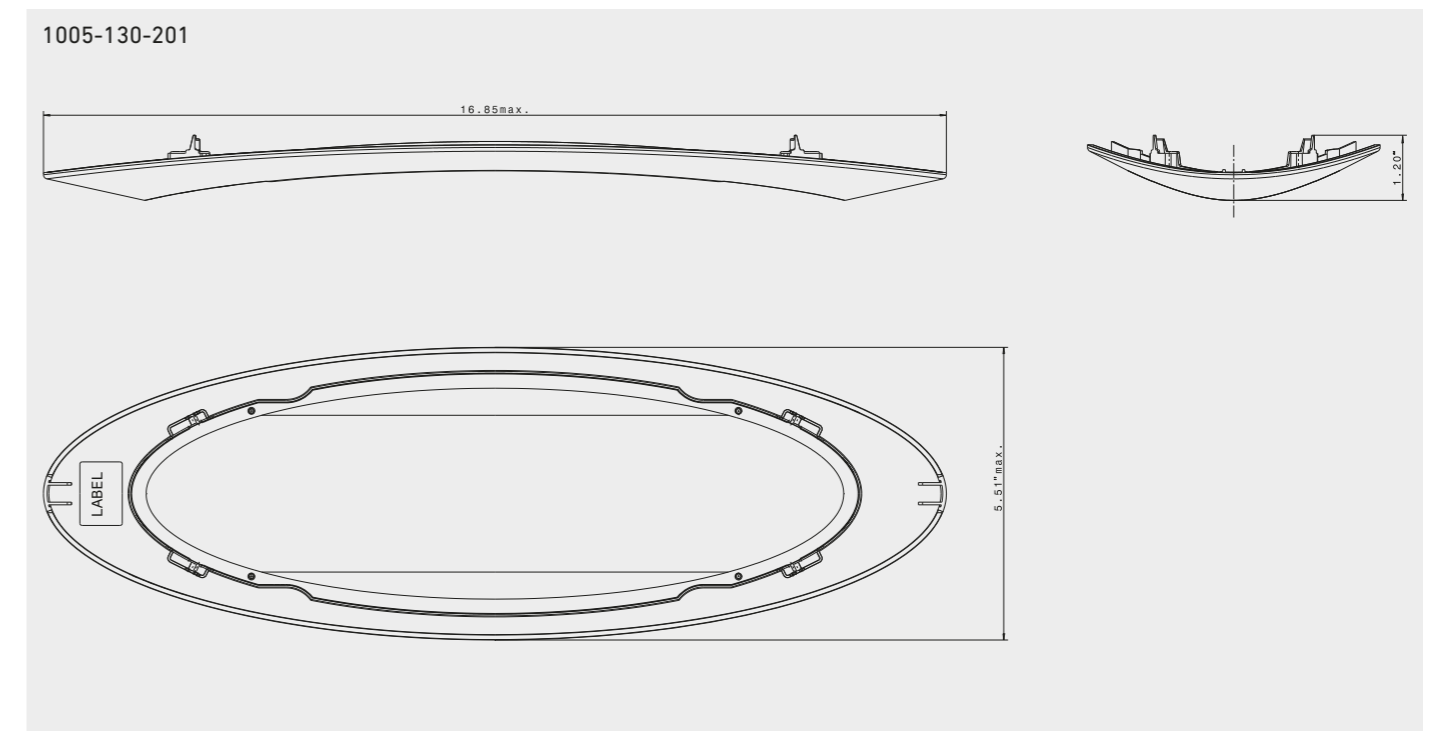
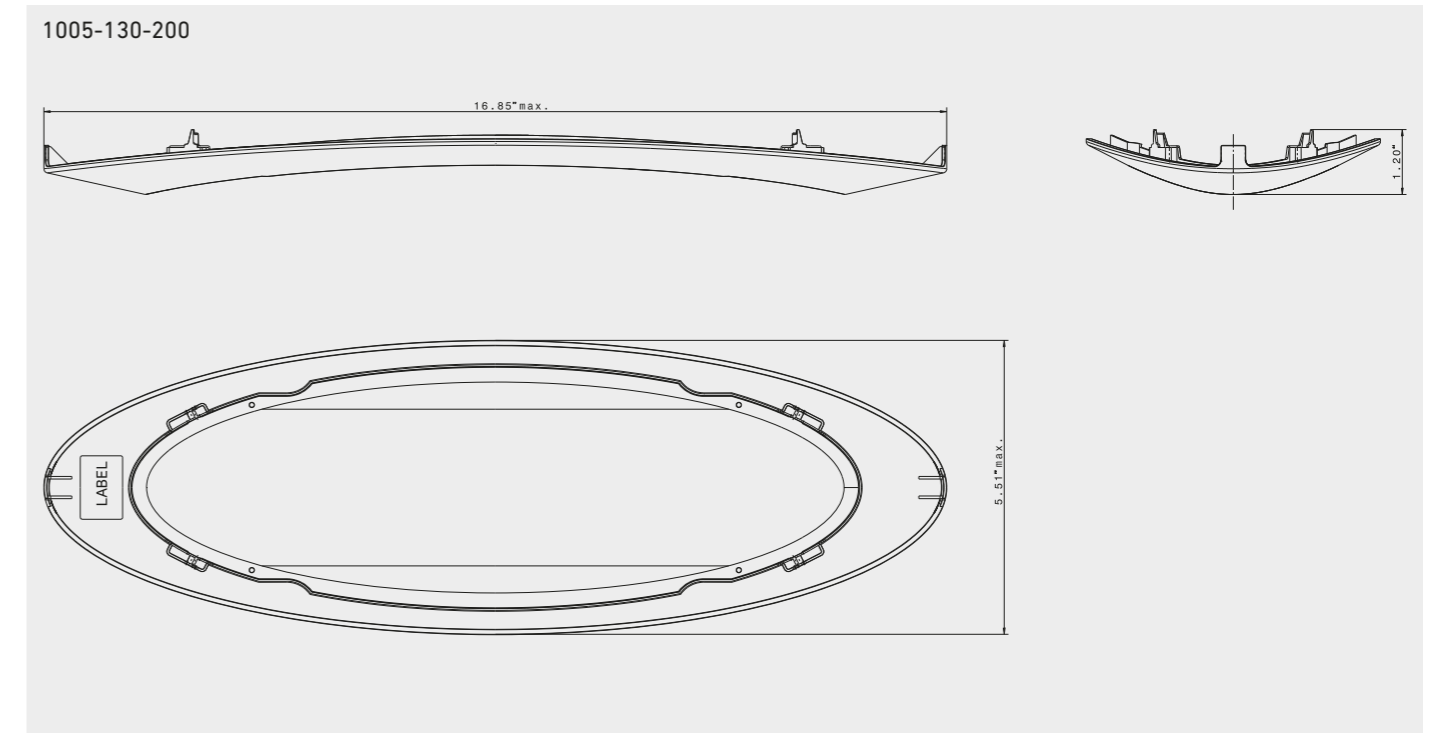
Part-Number	Print	Pictogram
1005-130-300		Running man right with arrows left and right
1005-130-501		Running man right with arrows left and top right
1005-130-400		No mobile (visible when illuminated) No smoking (permanently visible) Fasten seat belt (visible when illuminated)
1005-130-401		Wi-Fi (visible when illuminated) No smoking (permanently visible) Fasten seat belt (visible when illuminated)

Optional layout examples. Further information on request.



### Bezels for 1005-130-1XX | 1005-130-200 and -201

Part-Number	Description
1005-130-200	Bezel for Exit Locator Forward and Aft
1005-130-201	Bezel for Exit Locator Mid



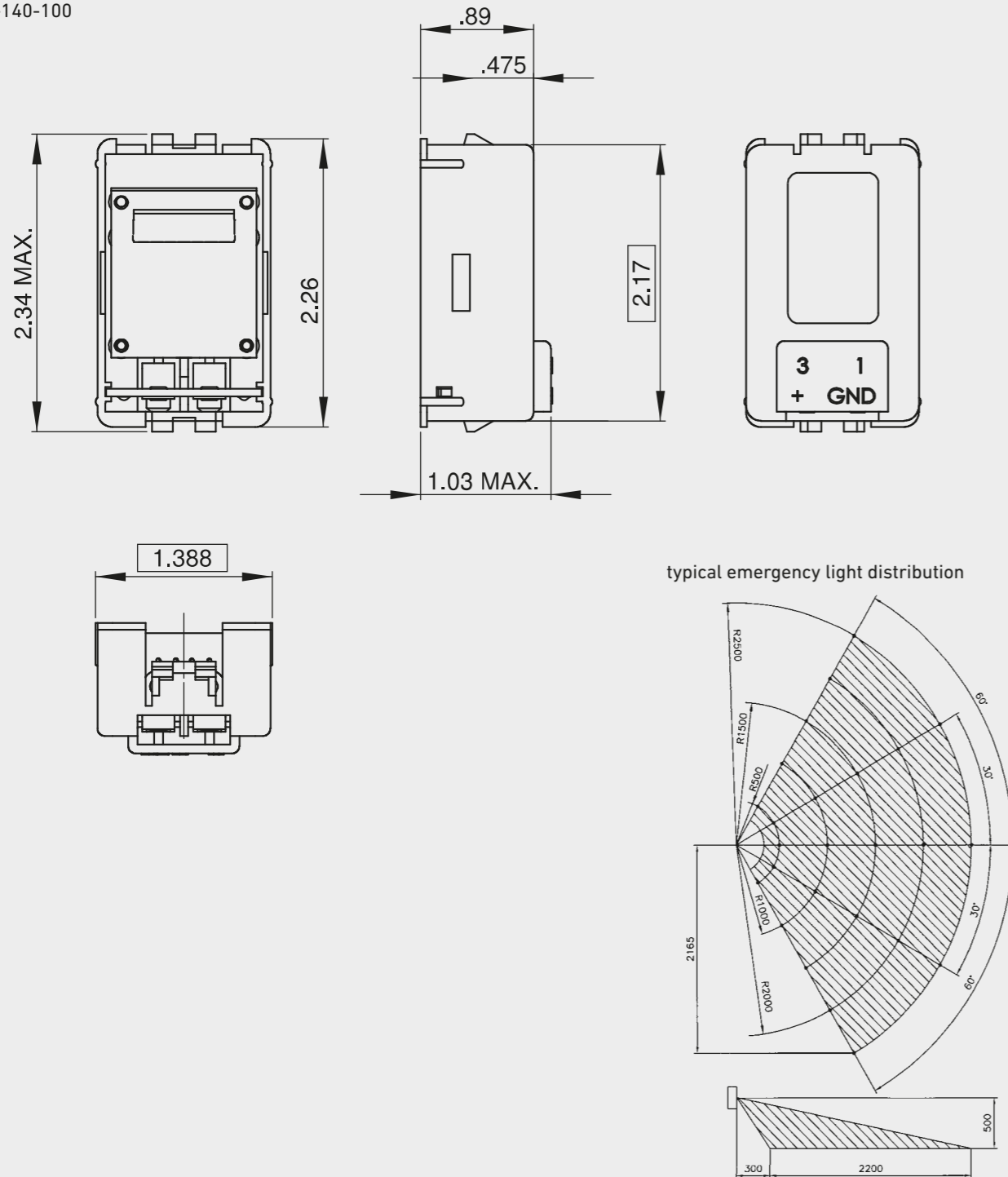
### Wall-mounted Exit Sign with Emergency Light | 1005-140-100



**TECHNICAL DATA**

Operating Voltage	5.6 V DC
Operating Current	173 mA max.
Luminance	86 cd/m <sup>2</sup> min.
Peak Luminous Intensity	10 cd min.
Emergency Light	
Connection	Mating Connector CDEL 5001-3, -5
Dimensions	59.4 x 35.3 mm/2.340" x 1.388"
Weight	0.070 kg/0.155 lbs (lens included)

1005-140-100

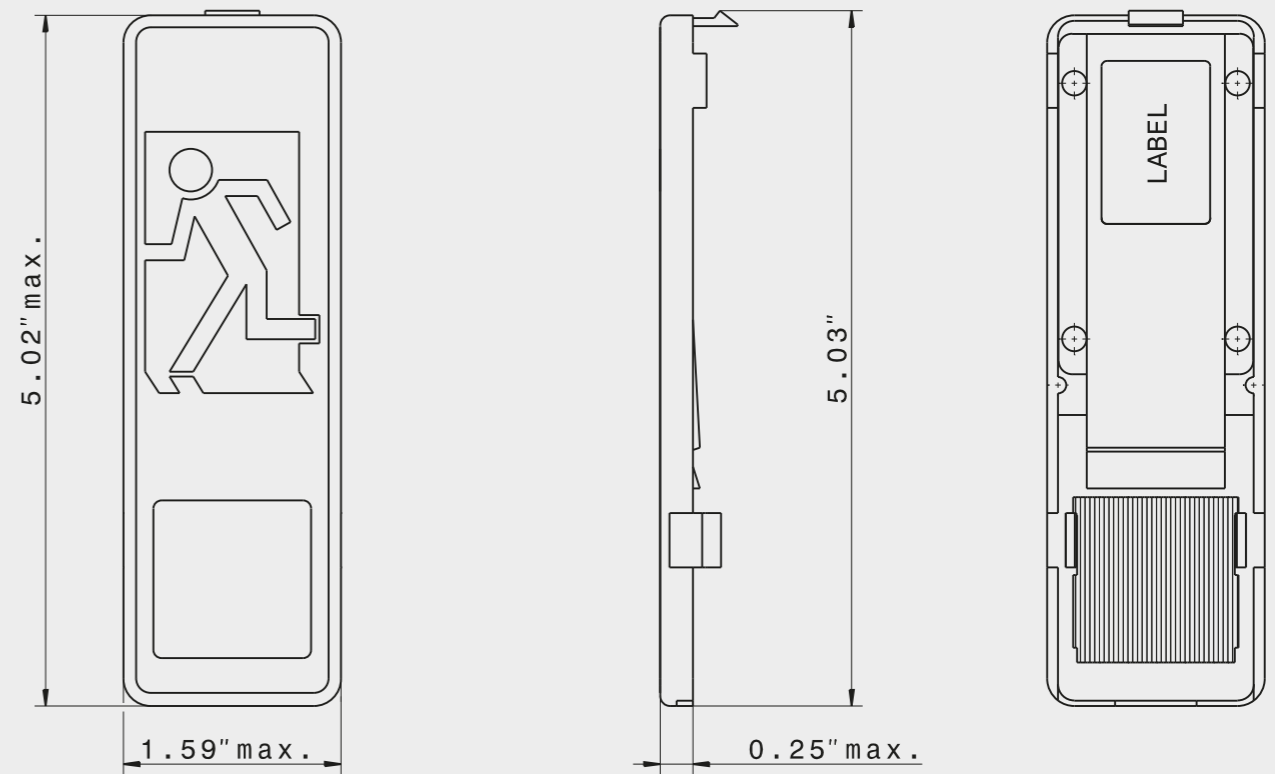


### Lens Options for 1005-140-100 | 1005-140-200 and -201

Part-Number	Print	Print
1005-140-200		Running man left
1005-140-201		Running man right

Optional layout examples. Further information on request.

1005-140-200

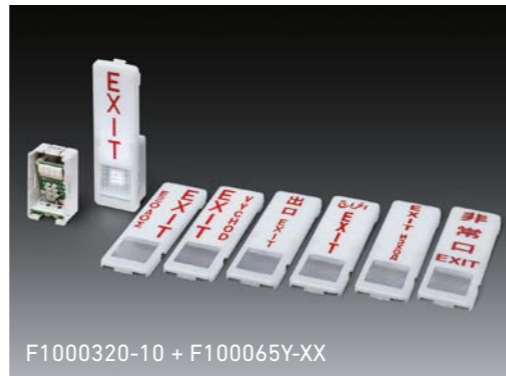
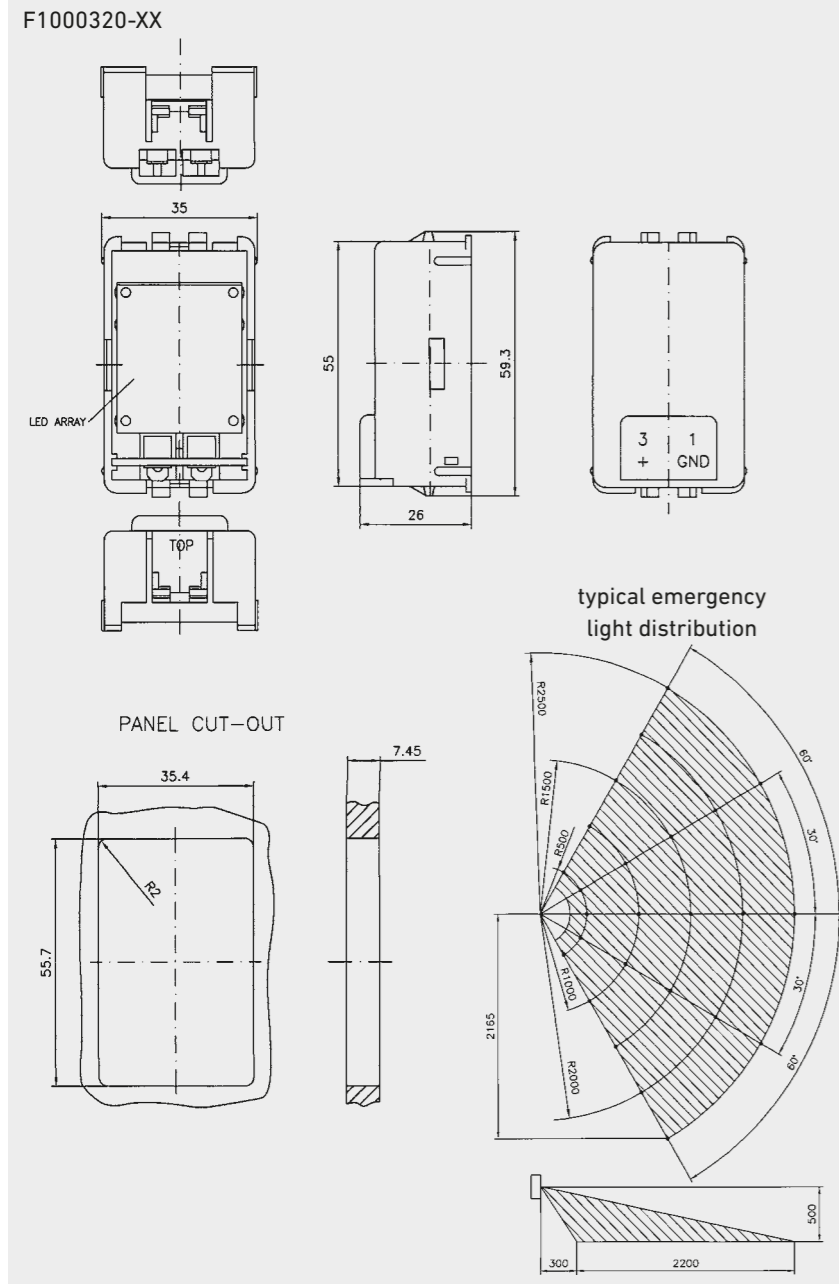


## Wall-mounted Exit Signs with Emergency Lights | F1000320-XX

### TECHNICAL DATA

Operating Voltage	see variant table
Operating Current	see variant table
Luminance	86 cd/m <sup>2</sup> min.
Peak Luminous Intensity Emergency Light:	10 cd min.
Connection	2 Fast-on Contacts (4.8 x 0.5 mm) mate with AMP Connector 170324-2
Dimensions	35 x 55.4 mm/1.378" x 2.181"
Weight	0.100 kg/0.220 lbs max. (lens included)

Part-Number	Operating Voltage	Operating Current	Brightness/Luminance
-00	5.6 V DC	105 mA ± 25 %	Standard
-02	5.6 V DC	168 mA ± 25 %	High
-10	28 V DC	18 mA ± 25 %	Standard



## Lens Options for F1000320-XX | F100065Y-XX, F1003450-XX and F1000660-XX

Variant-Number	Print 0-XX	Print 1-XX	Print 2-XX	Print 3-XX	Print 4-XX	Print 5-XX	Print 6-XX	Language
F100065Y-03	EXIT	-	-	-	-	-	-	English
F100065Y-27	-	SAIDA	EXIIT	SAIDA	SAIDA	EXIIT	EXIIT	English/ Spanish
F100065Y-61	-	ÇIKIŞ	EXIIT	ÇIKIŞ	ÇIKIŞ	EXIIT	EXIIT	English/ Turkish
F100065Y-6B	-	ВЫХОД	EXIIT	ВЫХОД	ВЫХОД	EXIIT	EXIIT	English/ Russian
F100065Y-80	-	KELUAR	EXIIT	KELUAR	KELUAR	EXIIT	EXIIT	English/ Malaysian

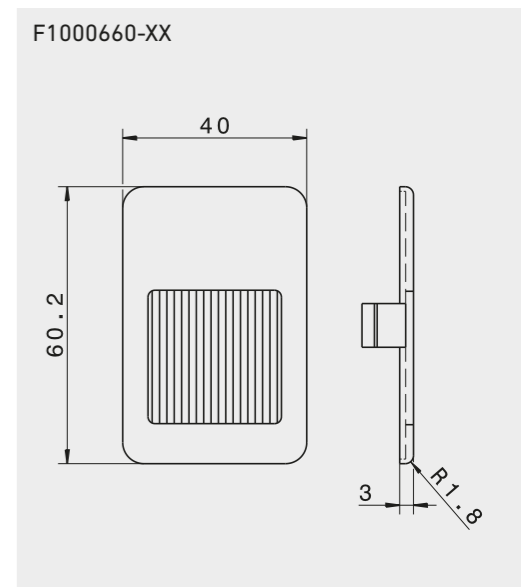
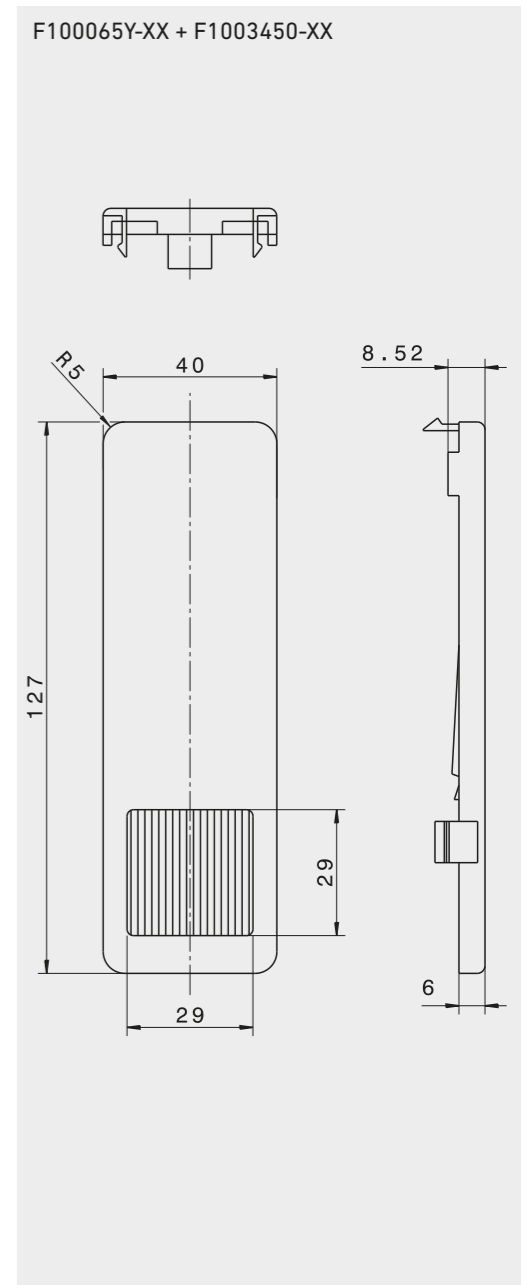
Optional layout examples. Further information on request.

Part-Number	Print	Pictogram
F1003450-00		Running man left
F1003450-01		Running man right

Optional layout examples. Further information on request.

Part-Number	Print	Pictogram
F1000660-00	EXIT	English
F1000660-01		Blank white
F1000660-02		Blank red translucent
F1000660-03		Blank red
F1000660-31		Arabic/English
F1000660-36	SAIDA	Portuguese

Optional layout examples. Further information on request.

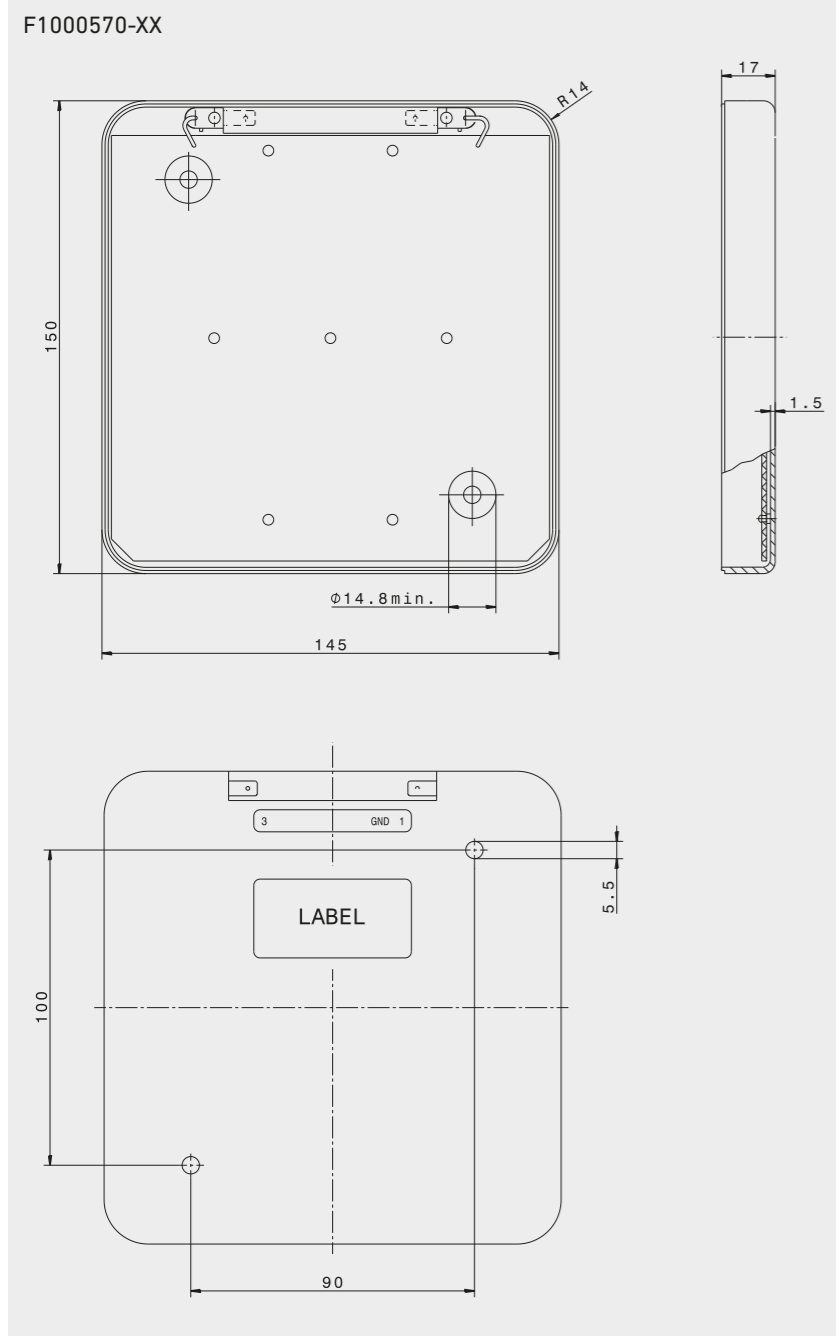


## Wall-mounted Exit Signs | F1000570-XX

### TECHNICAL DATA

Operating Voltage	see variant table
Operating Current	see variant table
Luminance	86 cd/m <sup>2</sup> min.
Connection	2 Faston Contacts (4.8 x 0.5 mm) mate with AMP Connector 170324-2
Dimensions	150 x 145 mm/5.901" x 5.709"
Weight	0.275 kg/0.606 lbs max. (lens included)

Part-Number	Housing Color	Operating Voltage	Operating Current
-00	unpainted	5.6 V DC	205 mA ± 30 %
-01	unpainted	28 V DC	275 mA ± 30 %
-36	outside painted Jana White	28 V DC	34 mA ± 30 %



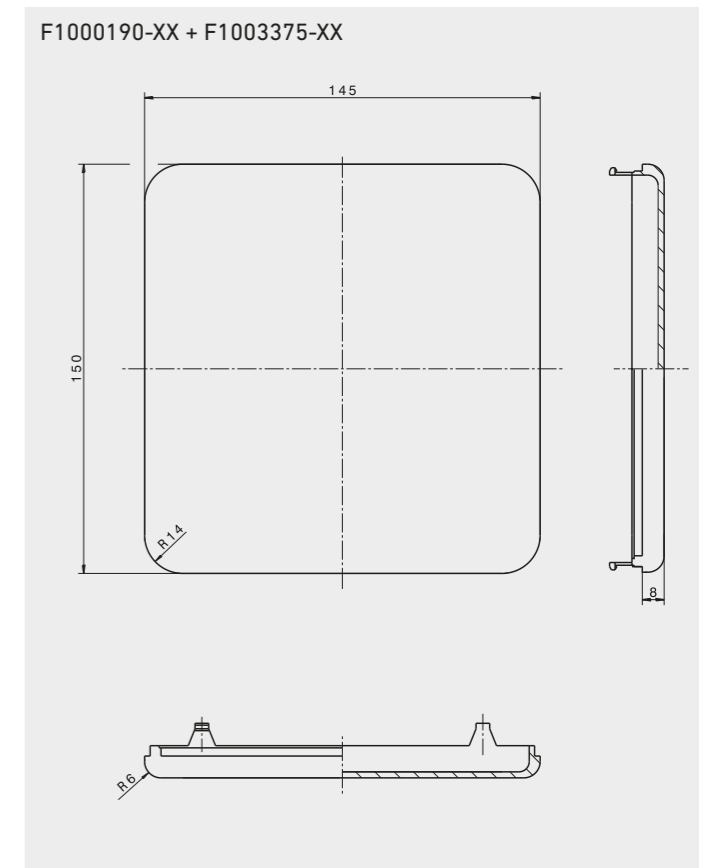
## Lens Options for F1000570-XX | F1000190-XX and F1003375-XX

Part-Number	Print	Language
F1000190-2D	ÇIKIŞ EXIT	Azerbaijani/English
F1000190-3	EXIT	English
F1000190-6	EXIT ← →	English with arrows left and right
F1000190-36	SAÍDA EXIT	Portuguese/English
F1000190-38	مخرج EXIT	Arabic/English
F1000190-46	出口 EXIT	Chinese/English
F1000190-49	EXIT SALIDA	English/Spanish
F1000190-61	ÇIKIŞ EXIT	Turkish/English
F1000190-90	EXIT ВЫХОД	English/Russian
F1000190-96	비상구 EXIT	Korean/English

Optional layout examples. Further information on request.

Part-Number	Print	Pictogram
F1003375-00		Running man left
F1003375-01		Running man left with arrows left and right
F1003375-06		Running man right

Optional layout examples. Further information on request.





## Ceiling- or Wall-mounted Exit Signs | F1000530-XX



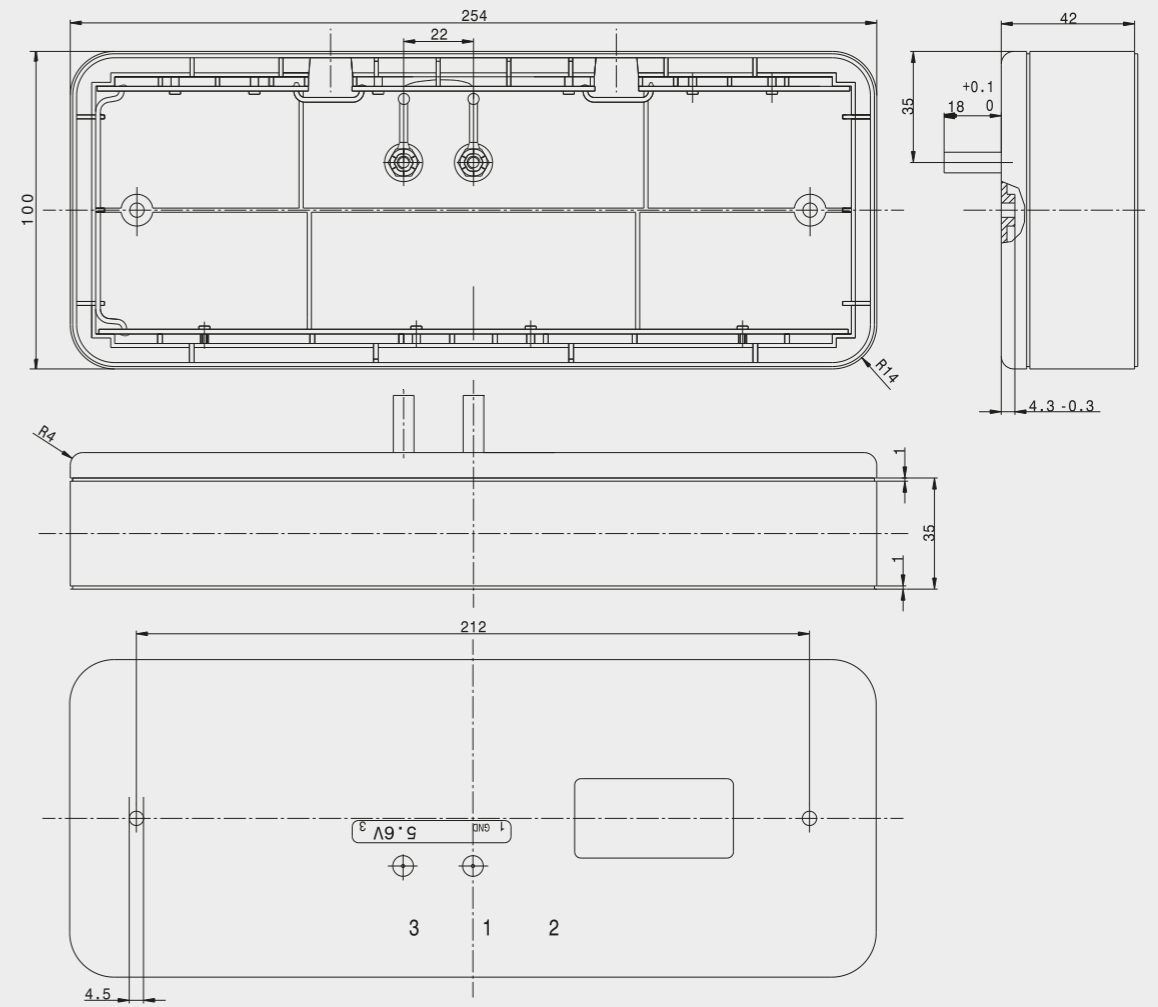
### TECHNICAL DATA

Operating Voltage	see variant table
Operating Current	see variant table
Luminance	86 cd/m <sup>2</sup> min.
Connection	Connector mates with AIR-LB Contact 001104-210-02 or Contact Deutsch 12300-01-20
Dimensions	254 x 100 mm/10" x 3.937"
Weight	see variant table

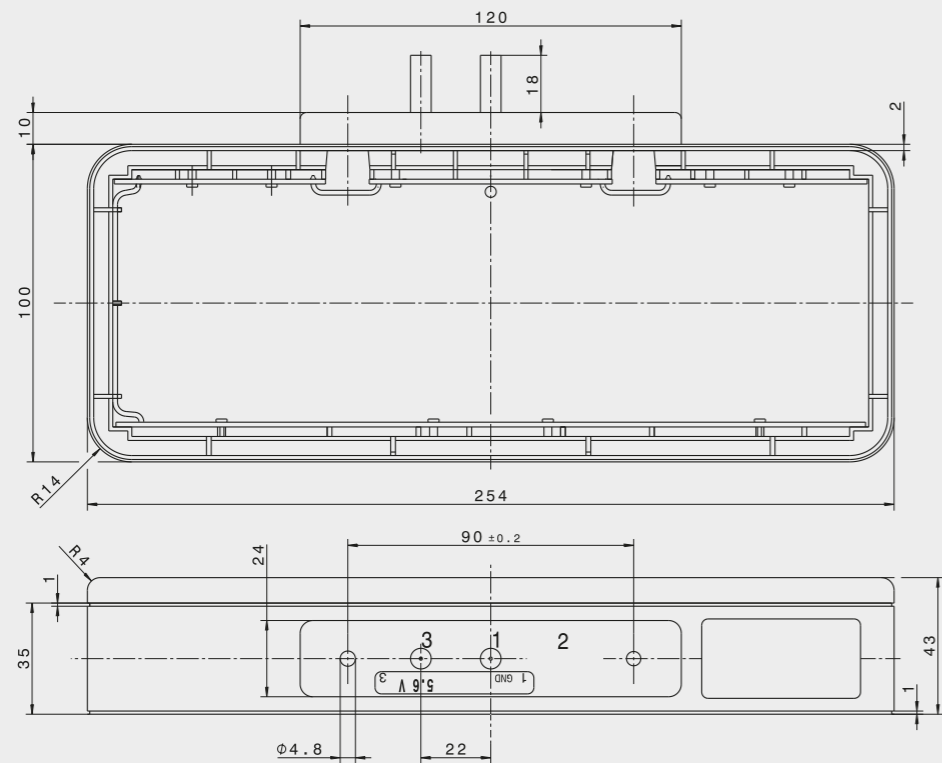
Part-Number	Mounting Position	Remarks	Housing Color	Operating Voltage	Operating Current	Weight (lens/lenses included)
-01	Ceiling/one-sided	with fixed rear cover	outside painted Warm White	5.6 V DC	250 mA ± 30 %	0.341 kg/ 0.752 lbs max.
-02	Wall		outside painted Warm White	5.6 V DC	250 mA ± 30 %	0.336 kg/ 0.741 lbs max.
-03	Ceiling/two-sided		outside painted Warm White	5.6 V DC	285 mA ± 30 %	0.342 kg/ 0.754 lbs max.
-16	Ceiling/one-sided	with fixed rear cover	outside painted Jana White	5.6 V DC	250 mA ± 30 %	0.341 kg/ 0.752 lbs max.
-26	Wall		outside painted Jana White	5.6 V DC	250 mA ± 30 %	0.336 kg/ 0.741 lbs max.
-36	Ceiling/two-sided		outside painted Jana White	28 V DC	34 mA ± 30 %	0.342 kg/ 0.754 lbs max.

## Ceiling or Wall-mounted Exit Signs | F1000530-XX

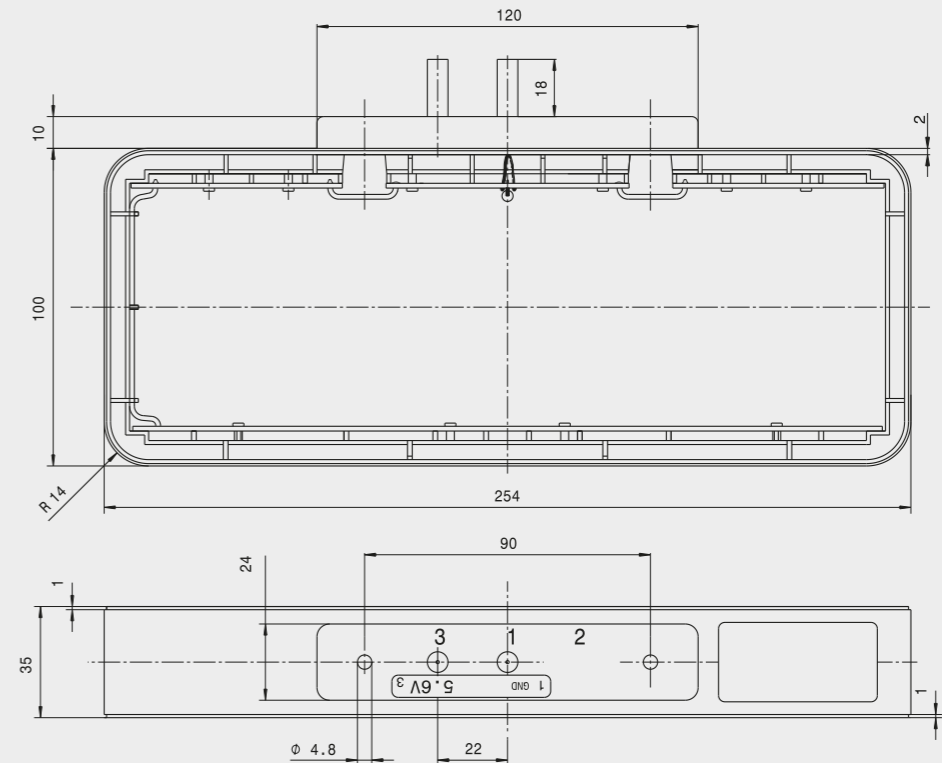
F1000530-02/-26



F1000530-01/-16



F1000530-03/-36



## Wall-mounted Exit Signs | F1000540-XX



### TECHNICAL DATA - F1000540-XX

Operating Voltage	5.6 V DC
Operating Current	238 mA ± 30 %
Luminance	86 cd/m <sup>2</sup> min.
Connection	Connector mates with AMP Connector 170324-2 and Cover AMP 928083-1
Housing Color	-00 outside unpainted; -36 outside painted Jana White
Dimensions	254 x 100 mm/10" x 3.937"
Weight	0.341 kg/0.752 lbs max. (lens included)

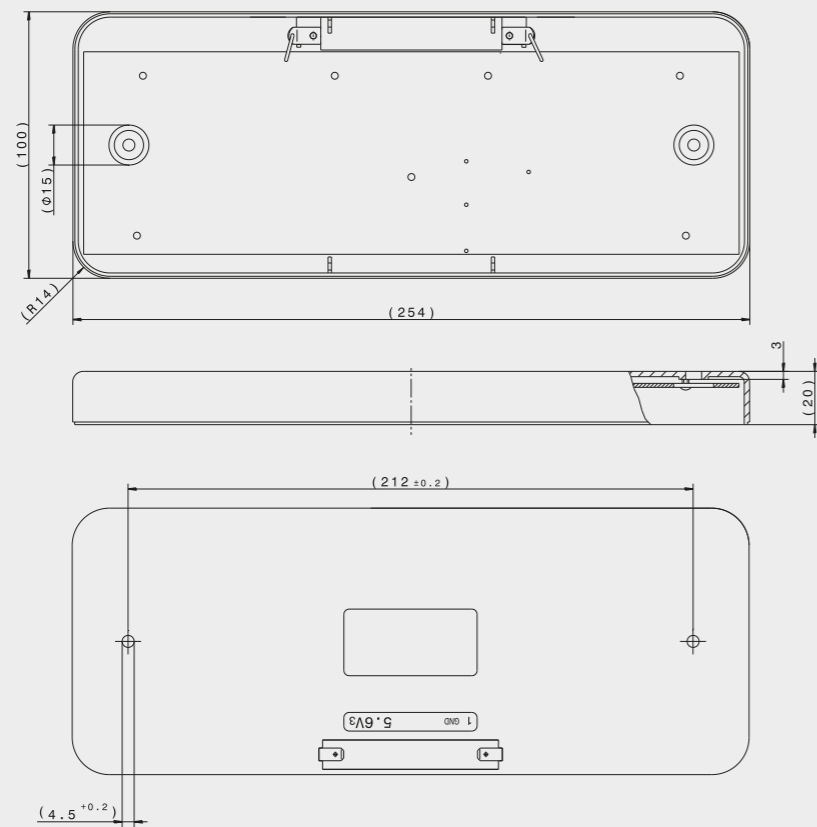
## Wall-mounted Exit Signs with Emergency Lights | F1000580-XX



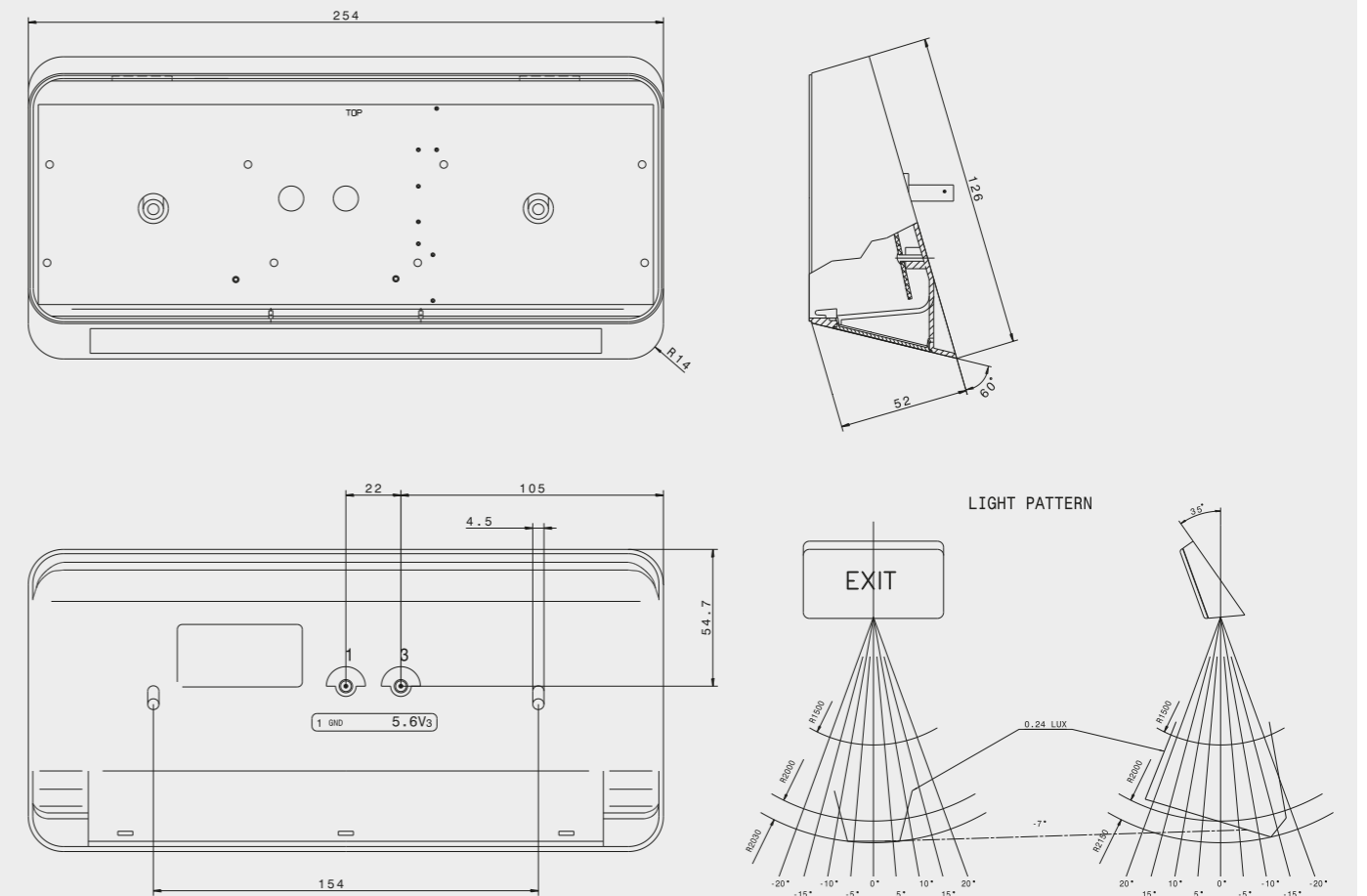
### TECHNICAL DATA - F1000580-XX

Operating Voltage	5.6 V DC
Operating Current	235 mA ± 30 %
Luminance	86 cd/m <sup>2</sup> min.
Peak Luminous Intensity	1.65 cd min.
Emergency Light	
Connection	Connector mates with AMP Connector 170324-2 and Cover AMP 928083-1
Housing Color	-00 outside painted Warm White; -36 outside painted Jana White
Dimensions	254 x 100 mm/10" x 3.937"
Weight	0.366 kg/0.807 lbs max. (lens included)

F1000540-XX



F1000580-XX



Lens Options for F1000530/540/580-XX | F1003385-XX and F1101385-XX



F1000540-00 + F1003385-00 and -01

Part-Number	Print	Pictogram
F1003385-00		Running man left
F1003385-01		Running man left with arrows left and right

Optional layout examples. Further information on request.

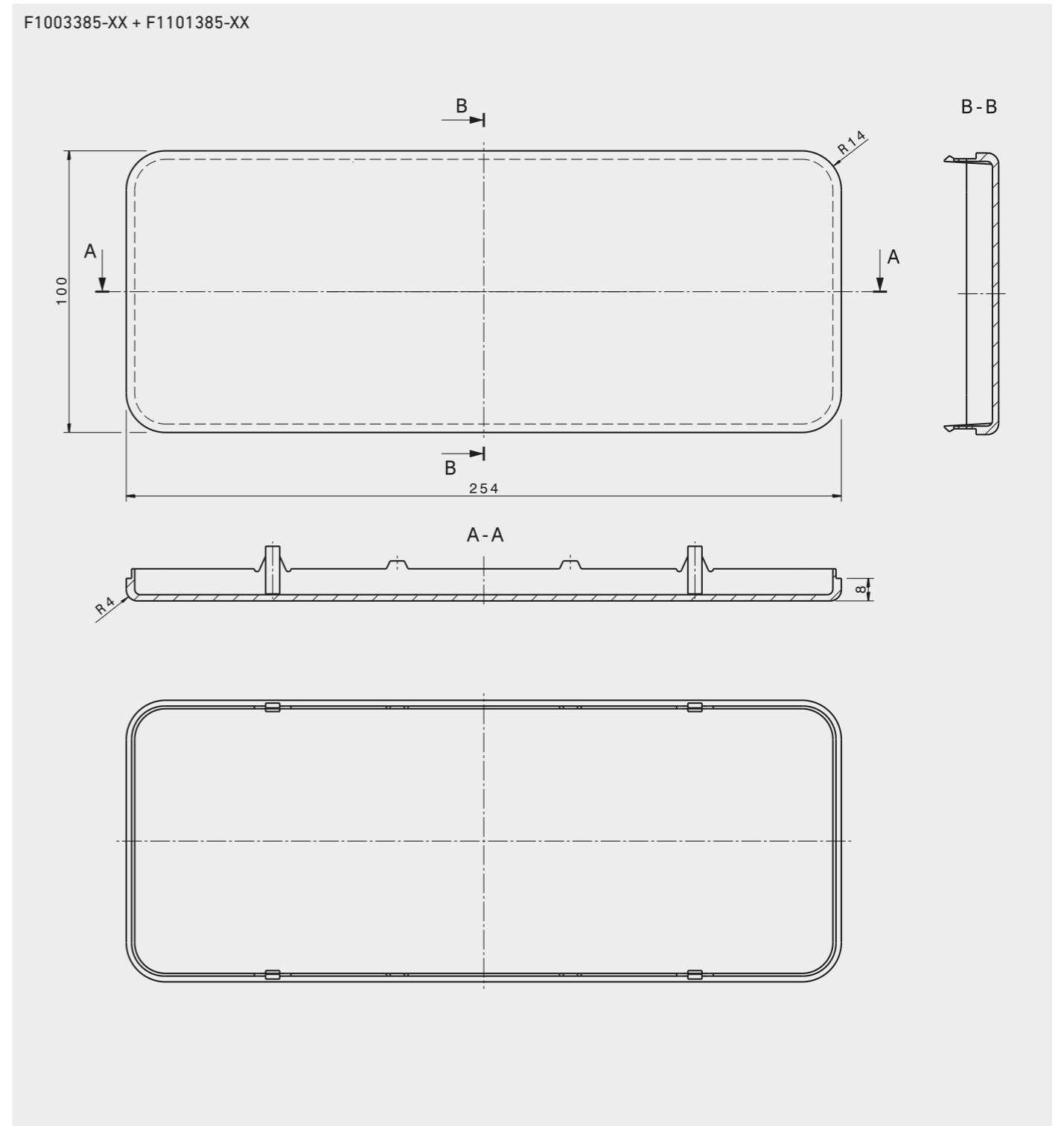


F1000540-00 + F1101385-09, -6A and -92

Part-Number	Print	Language
F1101385-01		English with arrows left and right
F1101385-05		German/English with arrows left and right
F1101385-19		English/French with arrows left and right
F1101385-43		Italian/English with arrows left and right
F1101385-5A		English/Malaysian with arrows left and right
F1101385-8A		Russian/English
F1101385-8B		Vietnamese/English
F1101385-95		Chinese/English with arrow bottom left
F1101385-96		Chinese/English with arrow bottom right
F1101385-9A		Arabic/English with arrow left

Optional layout examples. Further information on request.

Lens Options for F1000530/540/580-XX | F1003385-XX and F1101385-XX



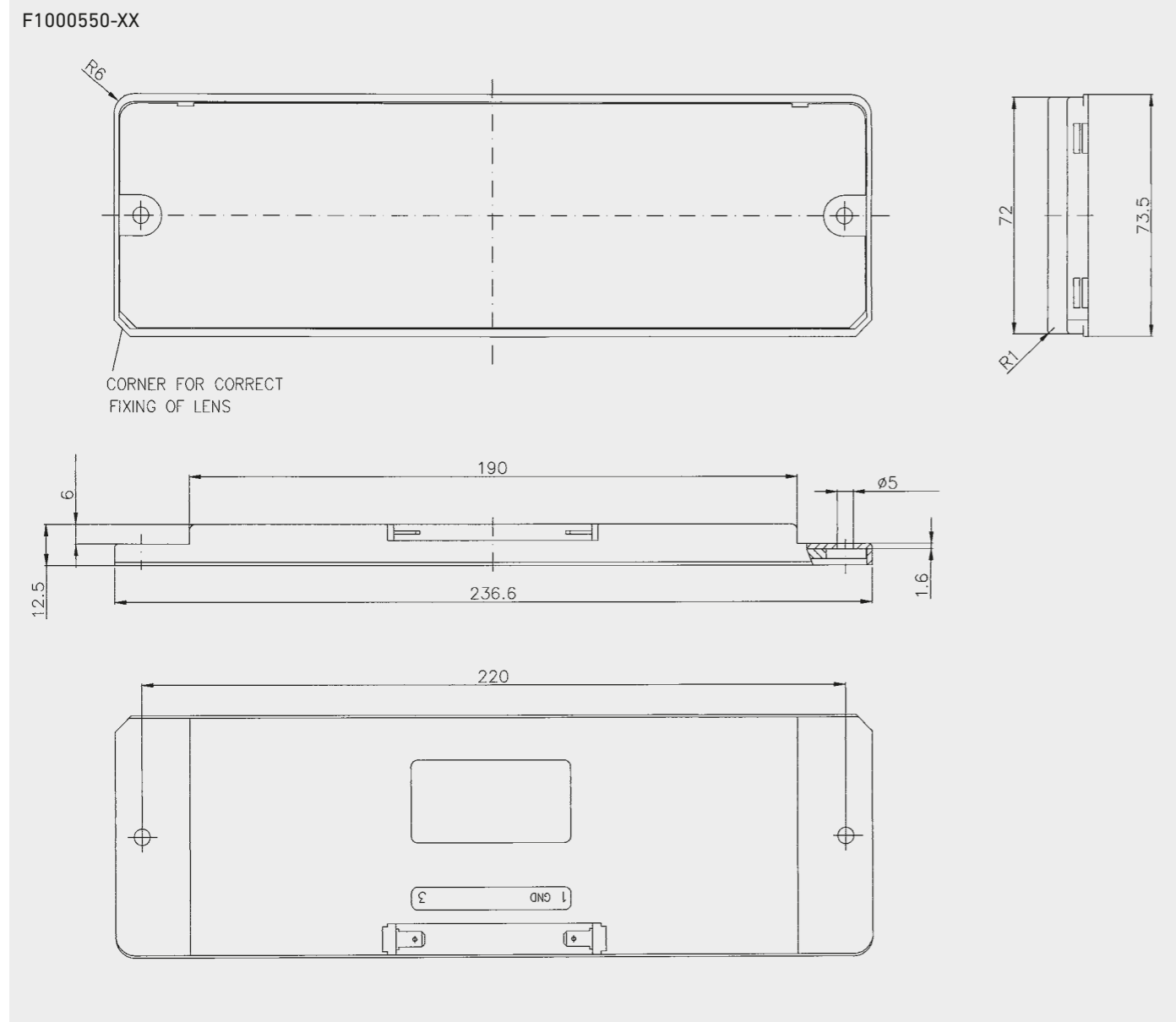
## Wall-mounted Exit Signs | F1000550-XX



### TECHNICAL DATA

Operating Voltage	see variant table
Operating Current	see variant table
Luminance	86 cd/m <sup>2</sup> min.
Connection	Connector mates with Connector AMP 170324-2 and Cover AMP 928083-1
Dimensions	236.6 x 73.5 mm/9.315" x 2.894"
Weight	0.280 k/0.617 lbs max. (lens included)

Part-Number	Operating Voltage	Operating Current
F1000550-01	28 V DC	25 mA ± 30 %
F1000550-20	5.6 V DC	147 mA ± 30 %

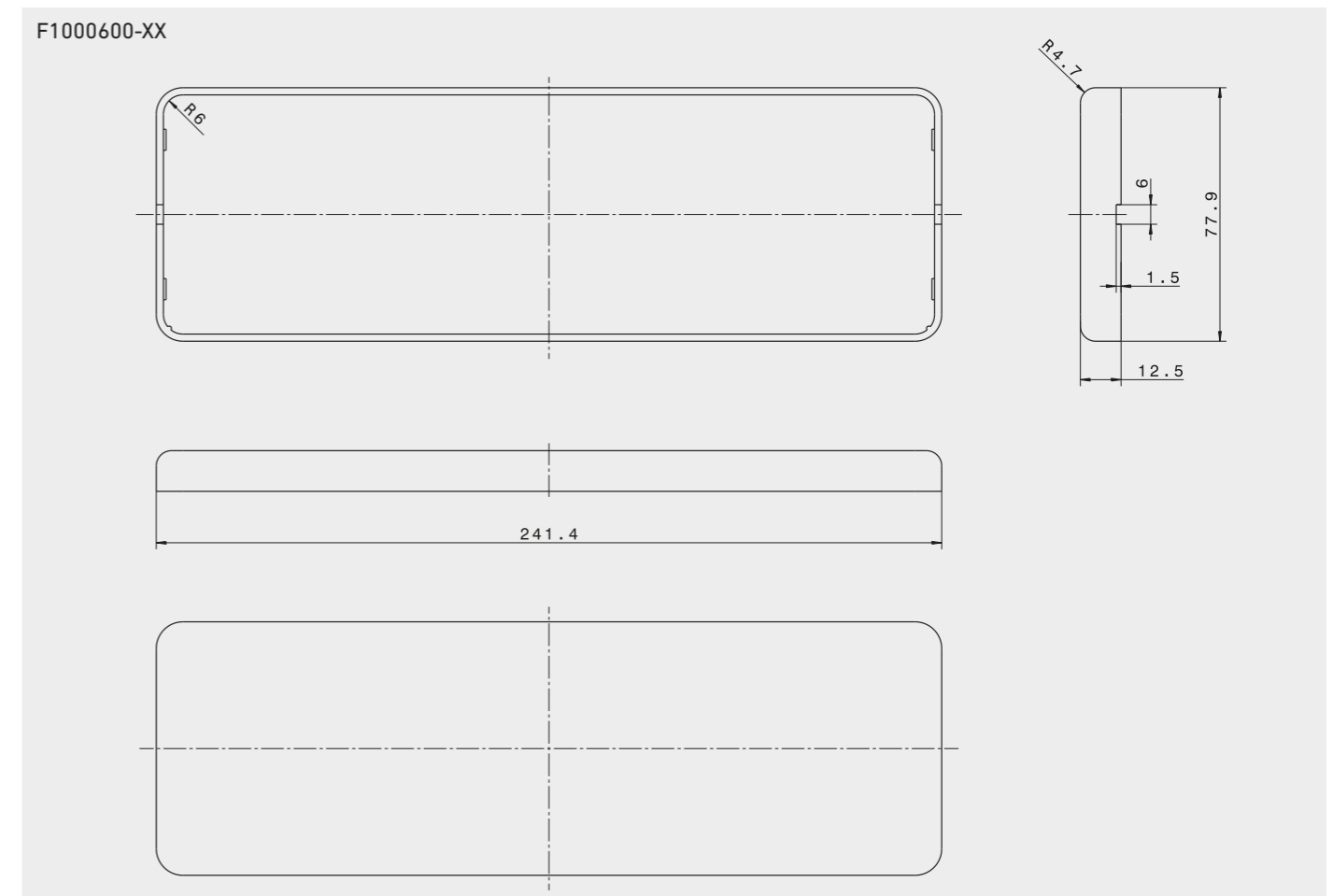


## Lens Options for F1000550-XX | F1000600-XX



Part-Number	Print	Language
F1000600-13		Hindi/English with arrows left and right
F1000600-19		Greek/English
F1000600-1Q		Faeroese/English with arrows left and right
F1000600-3C		Thai/English left and right
F1000600-5J		English/Russian with arrows left and right
F1000600-7M		Hebrew/English with arrows left and right
F1000600-82		Japanese/English
F1000600-96		English with arrow left
F1000600-97		English with arrow right
F1000600-9A		Chinese/English

Optional layout examples. Further information on request.





Lens Options for F1000550-XX | F1000711-XX



Part-Number	Print	Language
F1000711-03	EXIT	English
F1000711-05	EXIT ↑	English with arrow top right
F1000711-4A	יציאה EXIT	Hebrew/English
F1000711-45	SALIDA EXIT	Spanish/English
F1000711-71	EXIT ИЗХОД	English/Bulgarian
F1000711-76	EXIT DALJE	English/Albanian
F1000711-B5	↑ 出口 EXIT	Cantonese/English
F1000711-C2	WYJŚCIE EXIT	Polish/English
F1000711-C4	EXIT KUTOKA	English/Kiswahili
F1000711-C5	ВИХІД EXIT	Ukrainian/English

Optional layout examples. Further information on request.

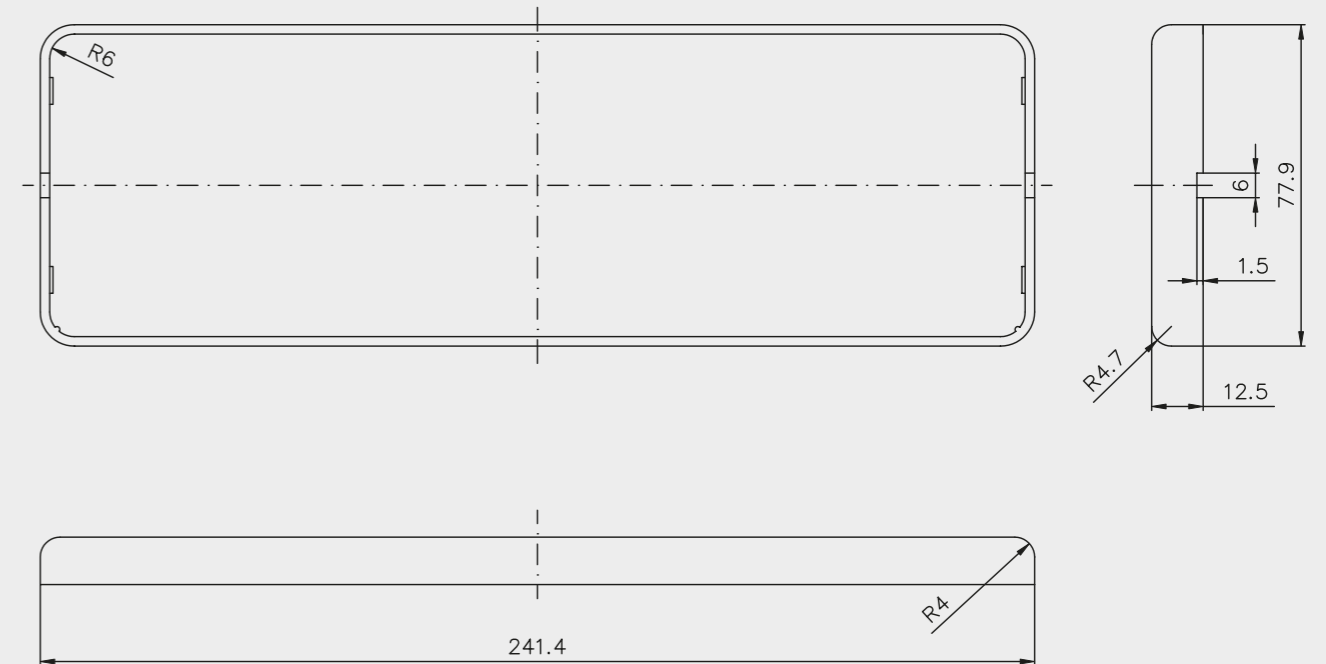
Lens Options for F1000550-XX | F1003460-XX



Part-Number	Print	Print
F1003460-00		Running man left
F1003460-01		Running man left with arrows left and right
F1003460-02		Running man left with arrow left
F1003460-03		Running man left with arrow right
F1003460-05		Running man left with arrow top right
F1003460-06		Running man right
F1003460-07		Running man left with arrows top left and right
F1003460-08		Running Man left with arrow top left

Optional layout examples. Further information on request.

F1000711-XX + F1003460-XX

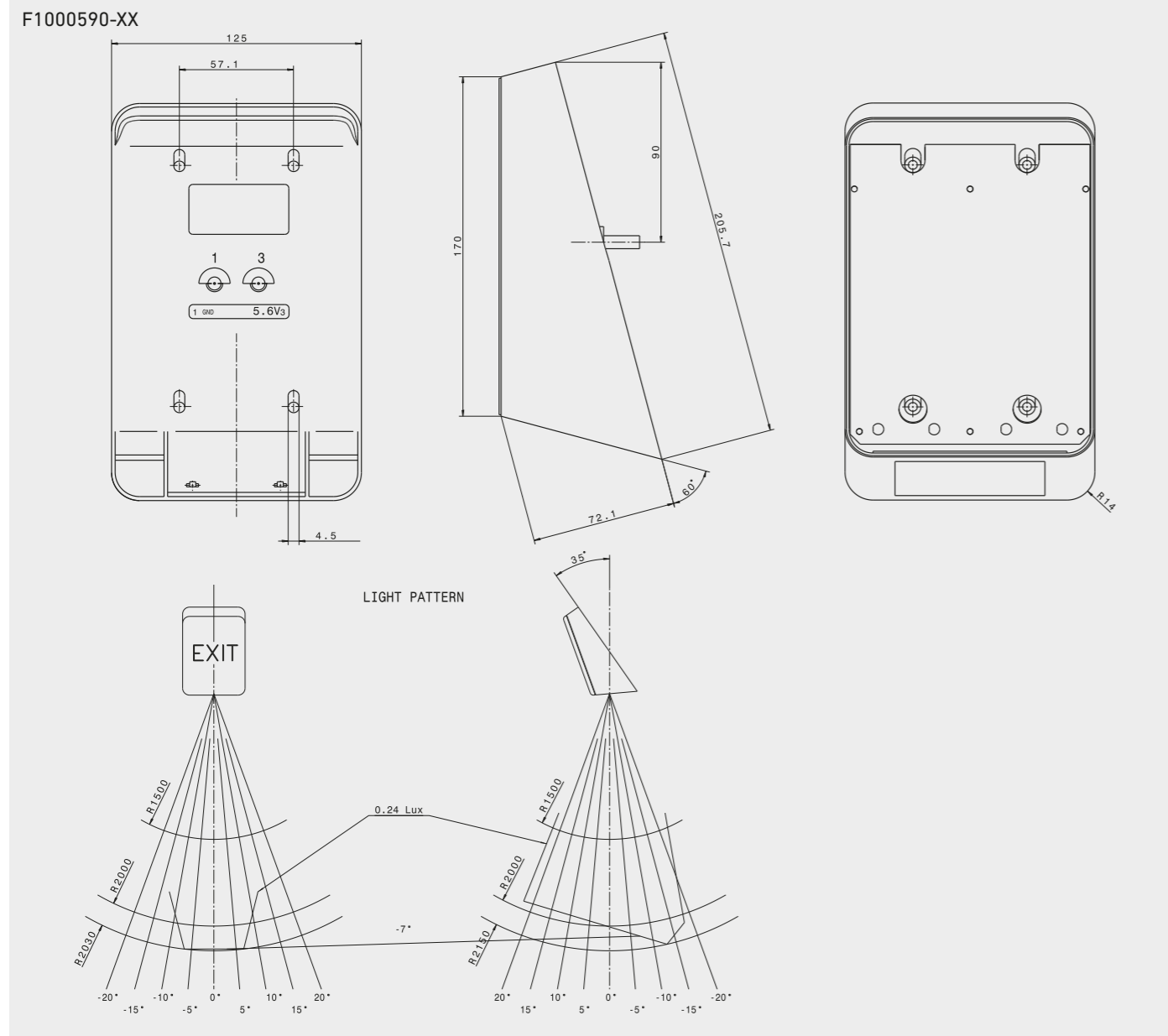


## Wall-mounted Exit Signs with Emergency Lights | F1000590-XX



### TECHNICAL DATA

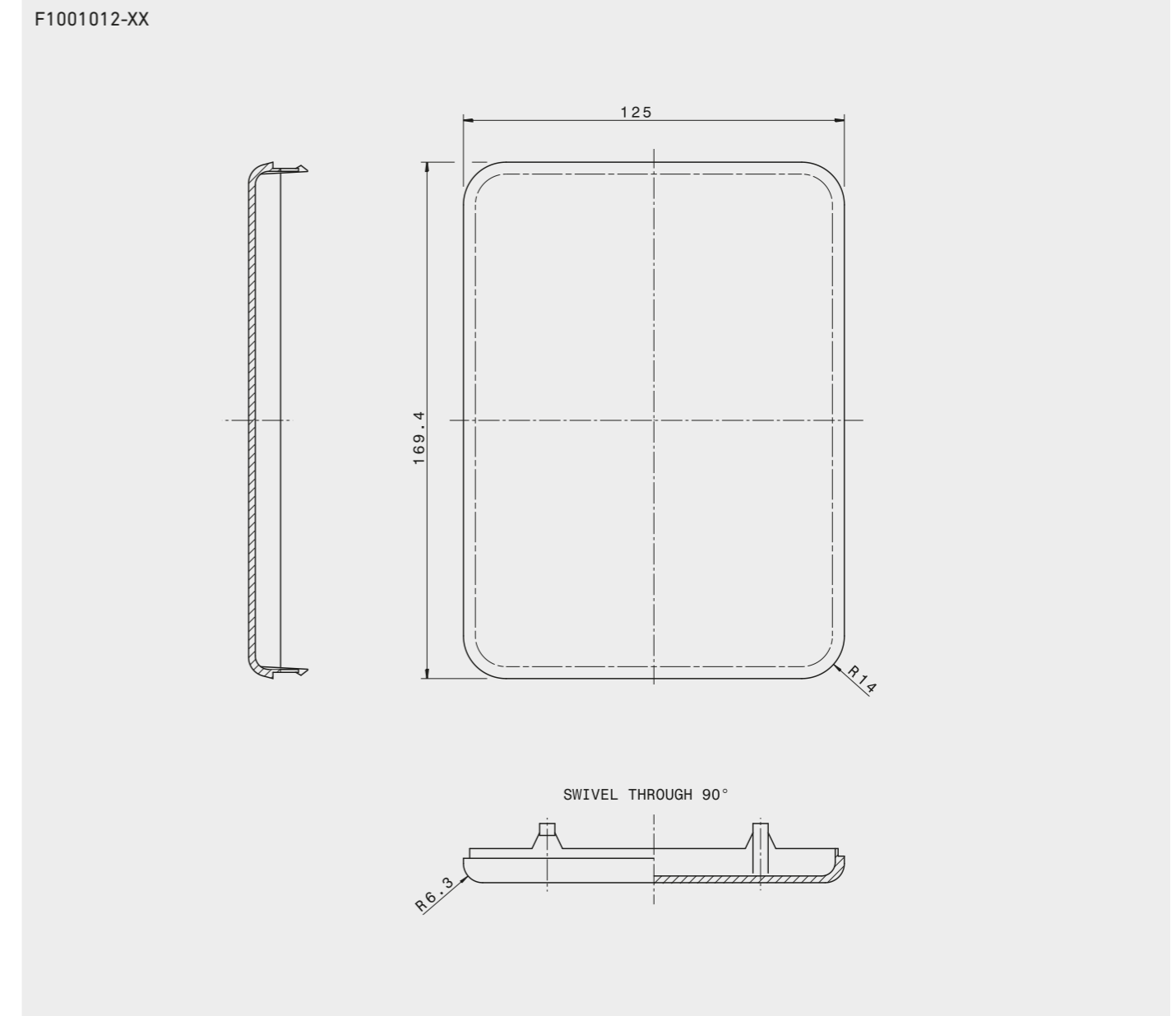
Operating Voltage	5.6 V DC
Operating Current	195 mA ± 30 %
Luminance	86 cd/m <sup>2</sup> min.
Connection	Connector mates with AIR-LB Contact 001104-210-02 or Contact Deutsch 12300-01-20
Housing Color	-00 outside painted Warm White; -36 outside painted Jana White
Dimensions	170 x 125 mm/6.693" x 4.921"
Weight	0.345 kg/0.761 lbs max. (lens included)



## Lens Options for F1000590-XX | F1001012-XX

Part-Number	Print	Language
F1001012-04		French/English
F1001012-28		Chinese/English
F1001012-36		Portuguese/English
F1001012-38		Arabic/English

Optional layout examples. Further information on request.



## Wall-mounted LED Exit Sign | F1001070-00



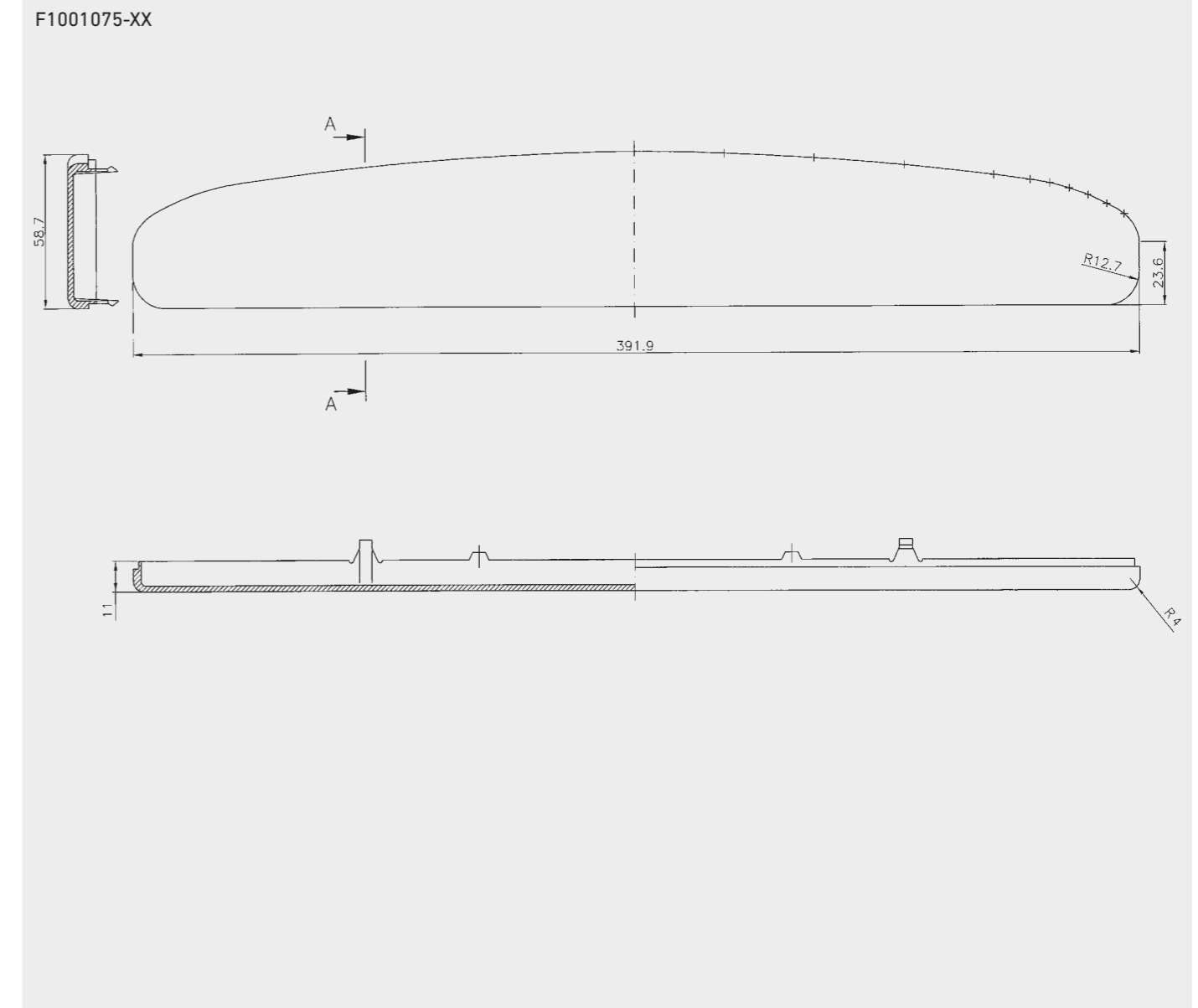
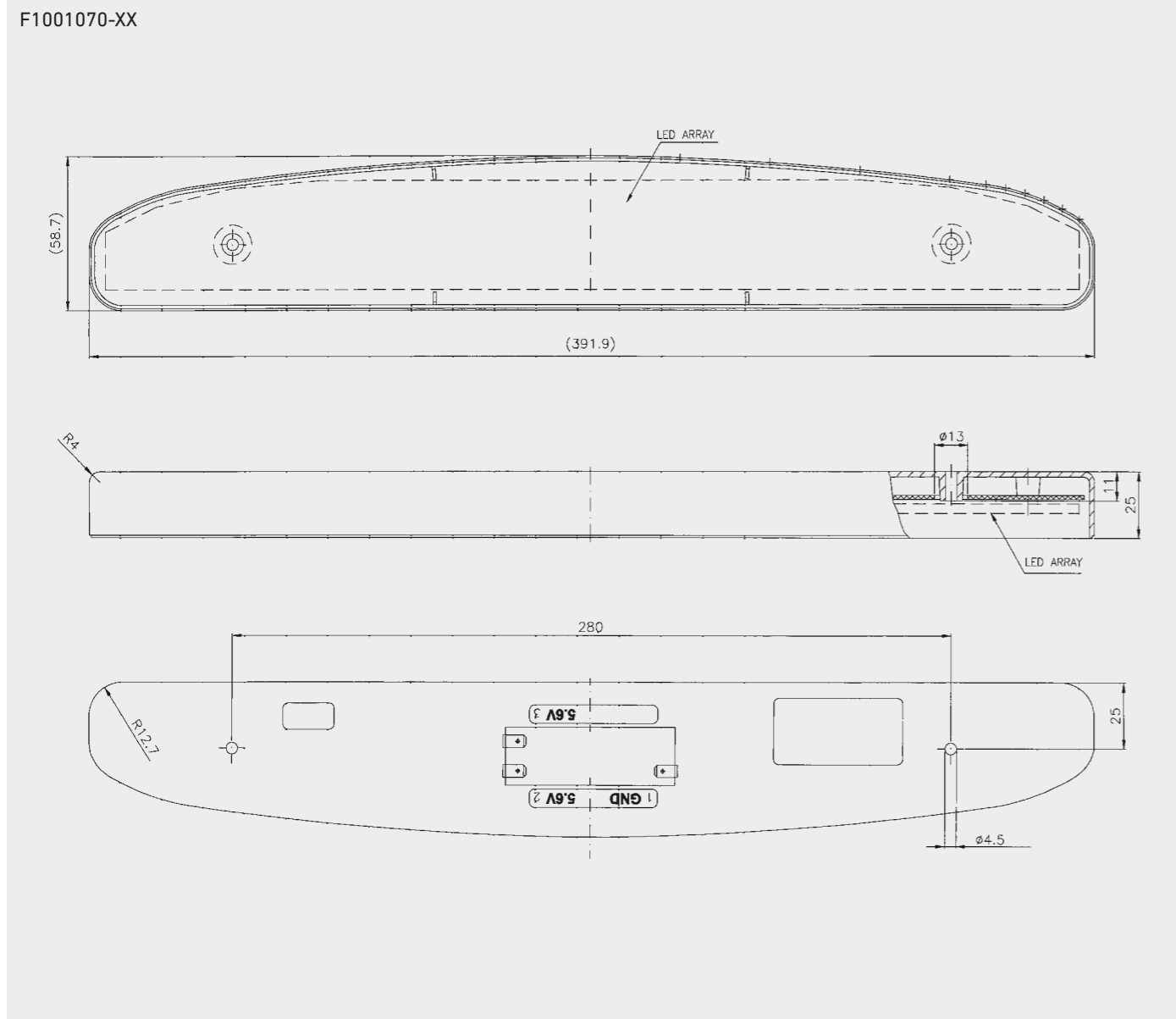
### TECHNICAL DATA

Operating Voltage	5.6 V DC
Operating Current	200 mA
Luminance	86 cd/m <sup>2</sup> min.
Connection	Connector mates with Connector AMP 170324-2 and Cover AMP 928083-1
Housing Color	Grey Cloud
Dimensions	391.9 x 58.7 mm/15.529" x 2.311"
Weight	0.500 kg/1.102 lbs max. (lens included)

## Lens Options for F1001070-00 | F1001075-XX

Part-Number	Print	Language
F1001075-05	◀USCITA/EXIT▶	Italian/English
F1001075-09	◀EXIT/SALIDA▶	English/Spanish
F1001075-13	◀出口/EXIT▶	Chinese/English
F1001075-15	◀EXIT/SORTIE▶	English/French
F1001075-19	◀EXIT/مخرج▶	English/Arabic
F1001075-29	◀SAÍDA/EXIT▶	Portuguese/English
F1001075-51	◀ВИХОД/EXIT▶	Ukrainian/English
F1001075-53	◀EXIT/ИЗХОД▶	English/Bulgarian
F1001075-59	◀EXIT/DALJE▶	English/Albanian
F1001075-60	◀יציאה/EXIT▶	Hebrew/English

Optional layout examples. Further information on request.



### Wall-mounted LED Exit Sign with Sill Light | F1001710-01

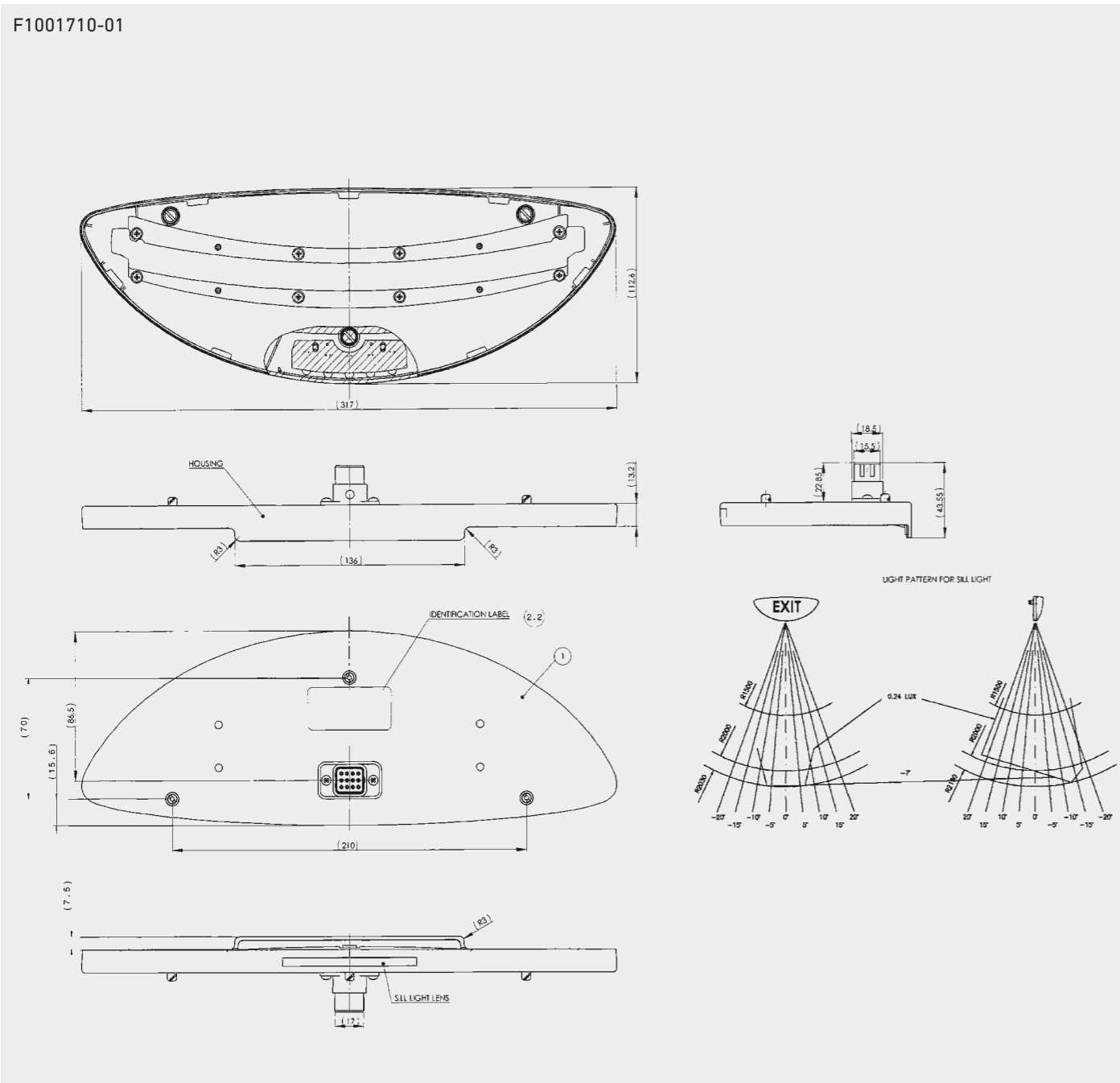


**TECHNICAL DATA**

Operating Voltage	5.6 V DC
Operating Current	460 mA
Luminance	86 cd/m <sup>2</sup> min.
Connection	Receptable ABS 1239CSA1D with Male Module ABS 1239A01-2PNM
Housing Color	Smoke White
Dimensions	317 x 112.6 mm/12.480" x 4.433"
Weight	0.370 kg/0.816 lbs max. (lens included)

F1001710-01 + F1001715-05 and -02

F1001710-01



### Ceiling-mounted single-sided LED Exit Signs | F1001711-XX

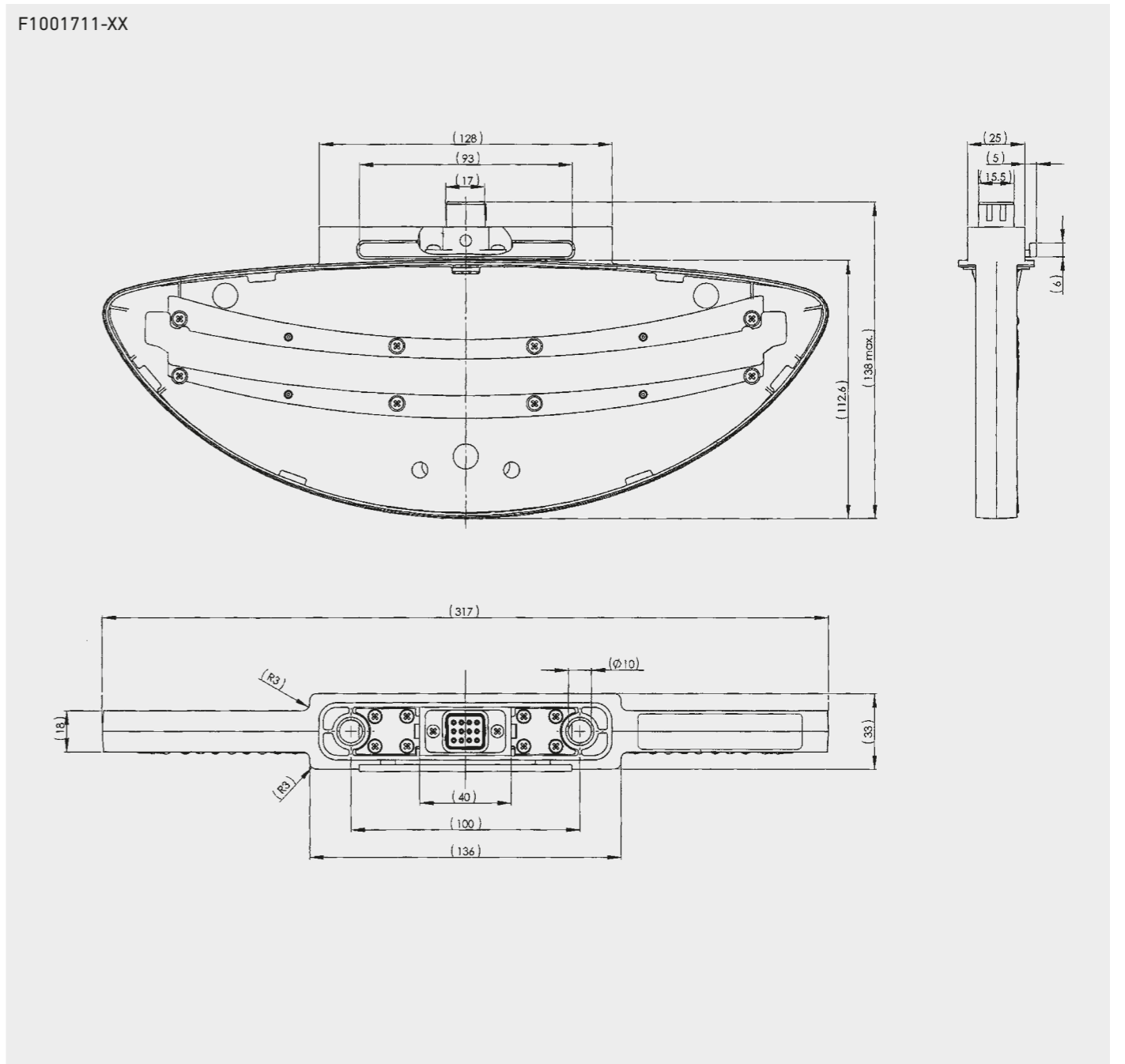


**TECHNICAL DATA**

Operating Voltage	5.6 V DC
Operating Current	250 mA
Luminance	86 cd/m <sup>2</sup> min.
Connection	Receptable ABS 1239CSA1D with Male Module ABS 1239A01-2PNM
Housing Color	-00: Smoke White; -01: White
Dimensions	317 x 112.6 mm/12.480" x 4.433"
Weight	0.490 kg/1.080 lbs (lens and rear cover included)

F1001711-00 + F1003470-02 and -03

F1001711-XX



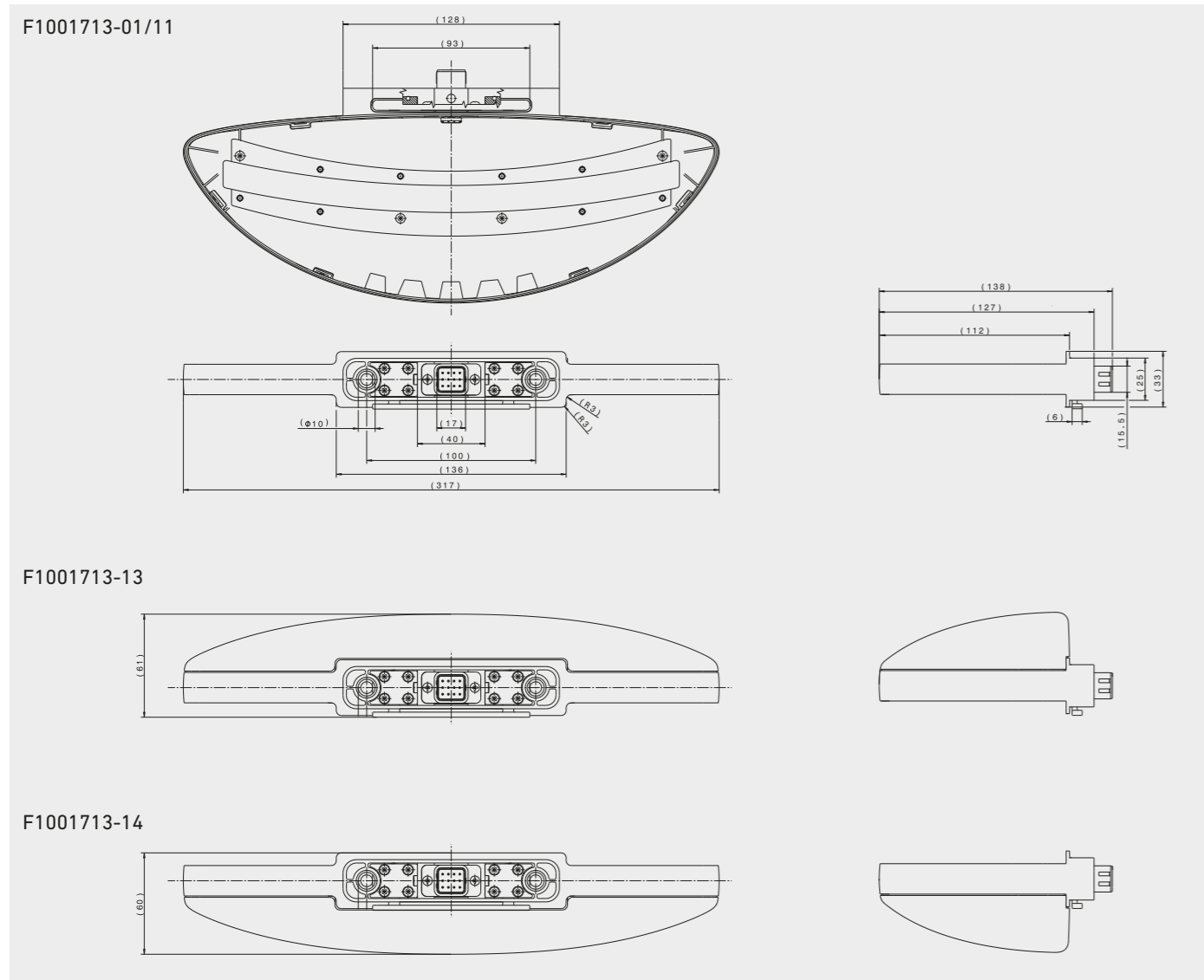
### Ceiling-mounted LED Exit Sign with internal Area Call Panel | F1001713-XX



**TECHNICAL DATA**

<b>Operating Voltage</b>	Exit Sign	5.6 V DC
	Area Call Panel	28 V DC
<b>Operating Current</b>	Exit Sign	500 mA
	Area Call Panel	130 mA
<b>Luminance</b>	86 cd/m <sup>2</sup> min.	
<b>Connection</b>	Receptable ABS 1239CSA1D with Male Module ABS 1239A01-2PNM	
<b>Housing Color</b>	see variant table	
<b>Dimensions</b>	317 x 112.6 mm/12.480" x 4.433"	
<b>Weight</b>	see variant table	

Part-Number	Mounting Position	Remarks	Housing Color	Area Call Panel	Weight (lens/lenses included)
-01	ceiling mounted, two-sided		Smoke White	amber, blue, red, blue, amber	0.590 kg/1.300 lbs max.
-11	ceiling mounted, two-sided		White	amber, blue, red, blue, amber	0.590 kg/1.300 lbs max.
-13/-14	ceiling mounted, single-sided	with fixed rear cover lens	White	amber, blue, red, blue, amber	0.605 kg/1.334 lbs max.



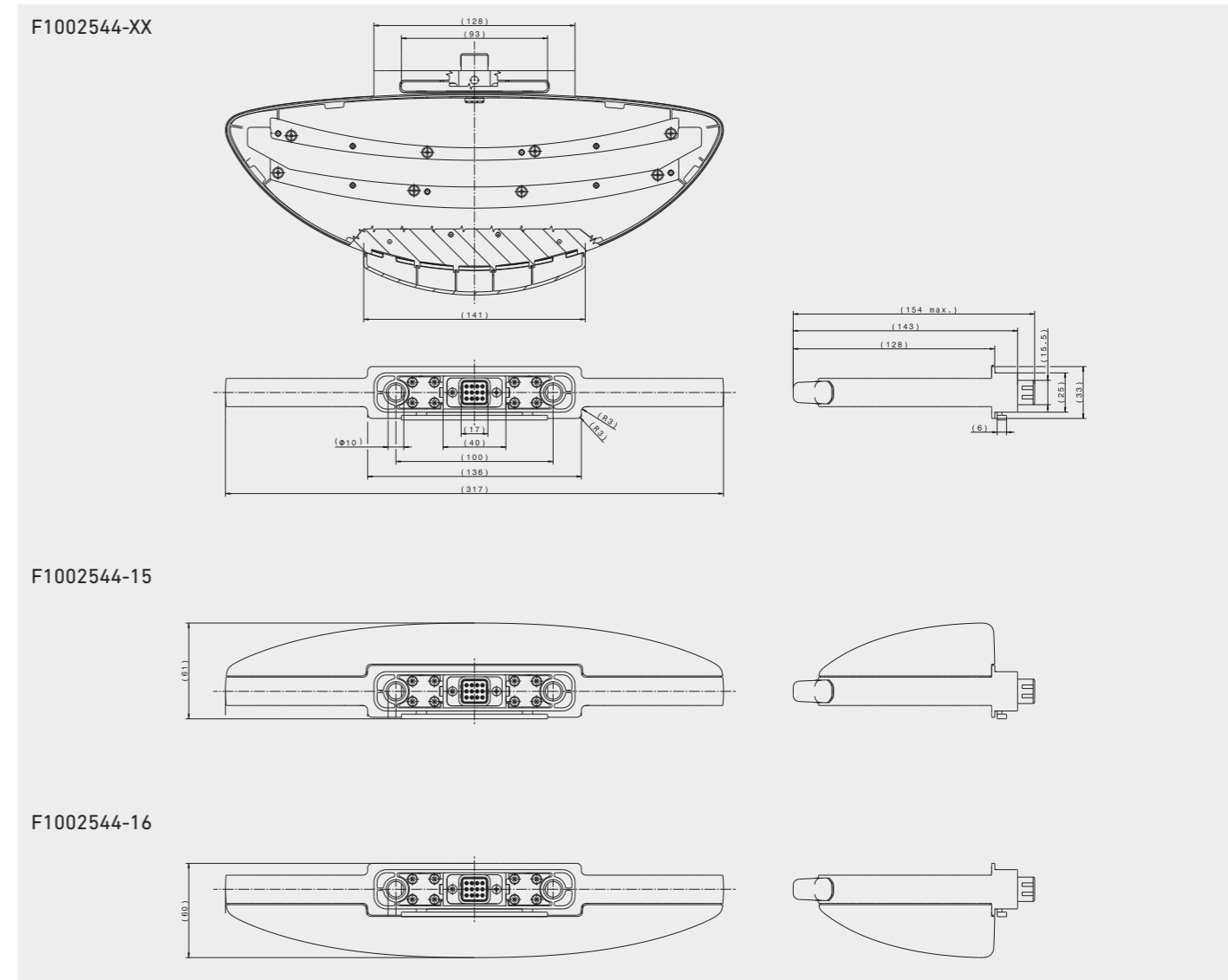
### Ceiling-mounted LED Exit Signs with external Area Call Panel | F1002544-XX



**TECHNICAL DATA**

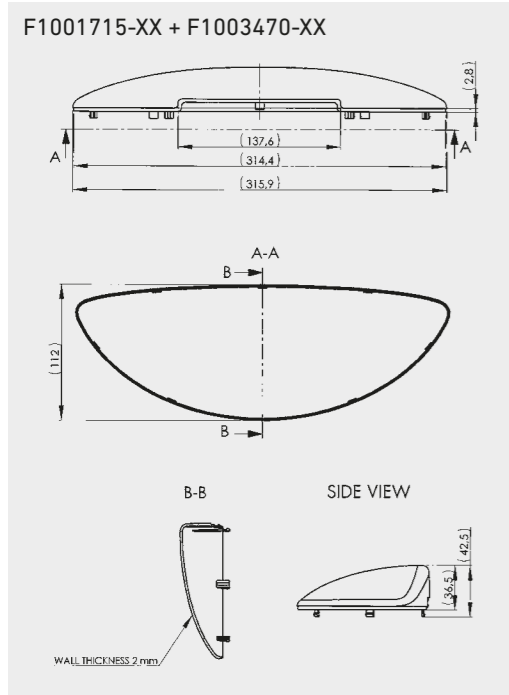
<b>Operating Voltage</b>	Exit Sign	5.6 V DC
	Area Call Panel	28 V DC
<b>Operating Current</b>	see variant table	
<b>Luminance</b>	86 cd/m <sup>2</sup> min.	
<b>Connection</b>	Receptable ABS 1239CSA1D with Male Module ABS 1239A01-2PNM	
<b>Housing Color</b>	see variant table	
<b>Dimensions</b>	317 x 112.6 mm/12.480" x 4.433"	
<b>Weight</b>	see variant table	

Part-Number	Mounting Position	Remarks	Housing Color	Area Call Panel	Operating Current	Weight (lens/lenses included)
-03	ceiling mounted, two-sided		Smoke White	amber, blue, red, blue, amber	Exit Sign: 820 mA Area Call: 130 mA	0.650 kg/1.433 lbs max.
-04	ceiling mounted, two-sided		Smoke White	blue green, red, amber, blue	Exit Sign: 820 mA Area Call: 115 mA	0.650 kg/1.433 lbs max.
-13	ceiling mounted, two-sided		White	amber, blue, red, blue, amber	Exit Sign: 820 mA Area Call: 130 mA	0.650 kg/1.433 lbs max.
-15/-16	ceiling mounted, single-sided	with fixed rear cover lens	White	amber, blue, red, blue, amber	Exit Sign: 820 mA Area Call: 130 mA	0.665 kg/1.466 lbs max.





Lens Options for F1001710/1711/1713/2544-XX | F1001715-XX + F1003470-XX



Part-Number	Print	Language
F1001715-00		Blank (translucent cover)
F1001715-01		English
F1001715-02		English with arrows left and right
F1001715-03		Arabic/English
F1001715-04		Arabic/English with arrows left and right
F1001715-08		Malaysian/English with arrows left and right
F1001715-11		Chinese/English
F1001715-17		Korean/English
F1001715-18		Korean/English with arrows left and right
F1001715-19		Korean/English
F1001715-20		Korean/English with arrows left and right

Optional layout examples. Further information on request.



Part-Number	Print	Print
F1003470-02		Running man left
F1003470-03		Running man left with arrows left and right

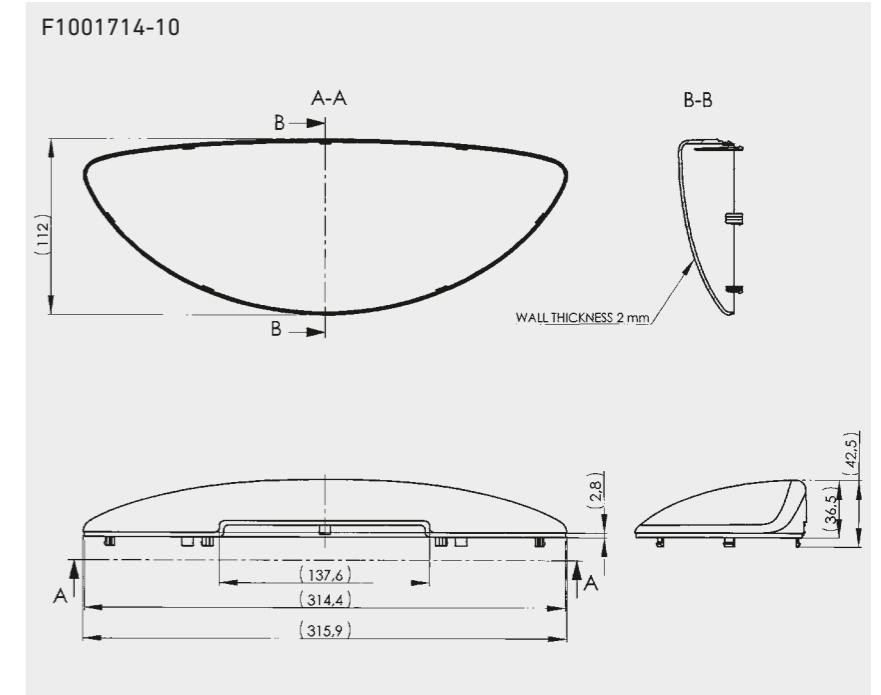
Optional layout examples. Further information on request.

Back Cover for F1001711/1713/2544-XX | F1001714-10

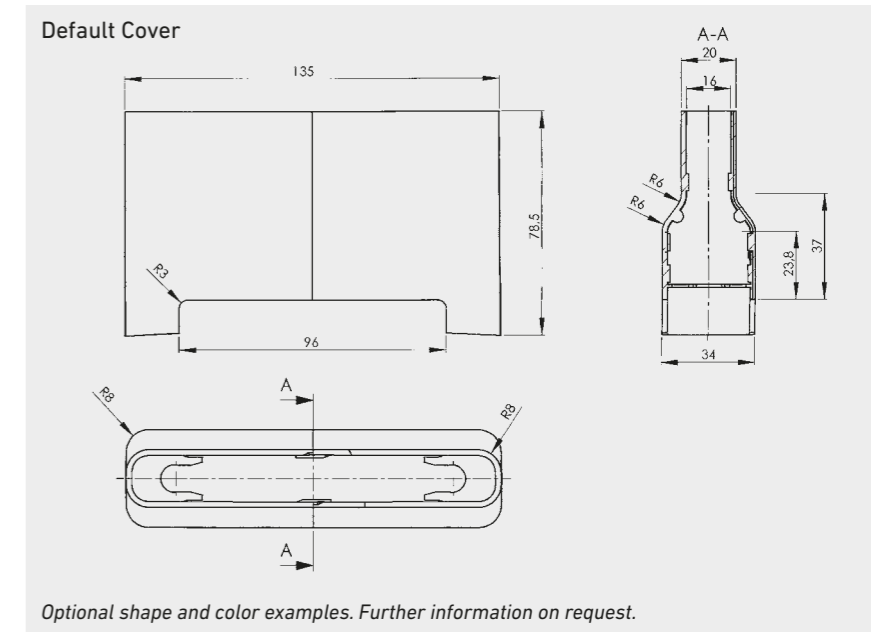


Part-Number	Print	Color
F1001714-10		White (opaque cover)

Optional color example. Further information on request.



Bracket Covers for F1001711/1713/2544-XX | F1001716-XX



Optional shape and color examples. Further information on request.

To learn more, go to

• [collinsaerospace.com/lightingsystems](http://collinsaerospace.com/lightingsystems)

**Collins Aerospace**

Goodrich Lighting Systems GmbH & Co. KG

Bertramstrasse 8

59557 Lippstadt

Germany

+49 2941 7676 0

fax: +49 2941 7676 8432

[collinsaerospace.com](http://collinsaerospace.com)

