

# LED Information Signs

---

F1000342-XX



IDEAS BORN TO FLY™



**UTC Aerospace  
Systems**

# Optimal perceptibility

UTC Aerospace Systems' LED information signs provide passengers with a variety of messages such as: "No personal electronic devices", "Return to seat", "Fasten seat belt" and "Lavatory occupied" – to name just a few.

## Lightweight housings and various light colors

Within the F1000342-XX family, UTC Aerospace Systems offers different types of lightweight plastic housings that provide either white, yellow or a switchable red and green LED light. The latter is also available as a dimmable version. The light's integrated sensor adapts the sign's illumination to the cabin's brightness level.

Highly reliable and low maintenance LED technology provides an even light across the whole pictogram. The signs are mounted to the aircraft structure by screws.

## Wide range of lens options meets individual requirements

A wide range of matching polycarbonate lenses enables customers to find exactly what they need. UTC Aerospace Systems offers various lens colors and pictograms. All lenses are clearly laid-out and well-arranged to optimize perceptibility. Many lenses feature pictograms that are invisible when not illuminated.

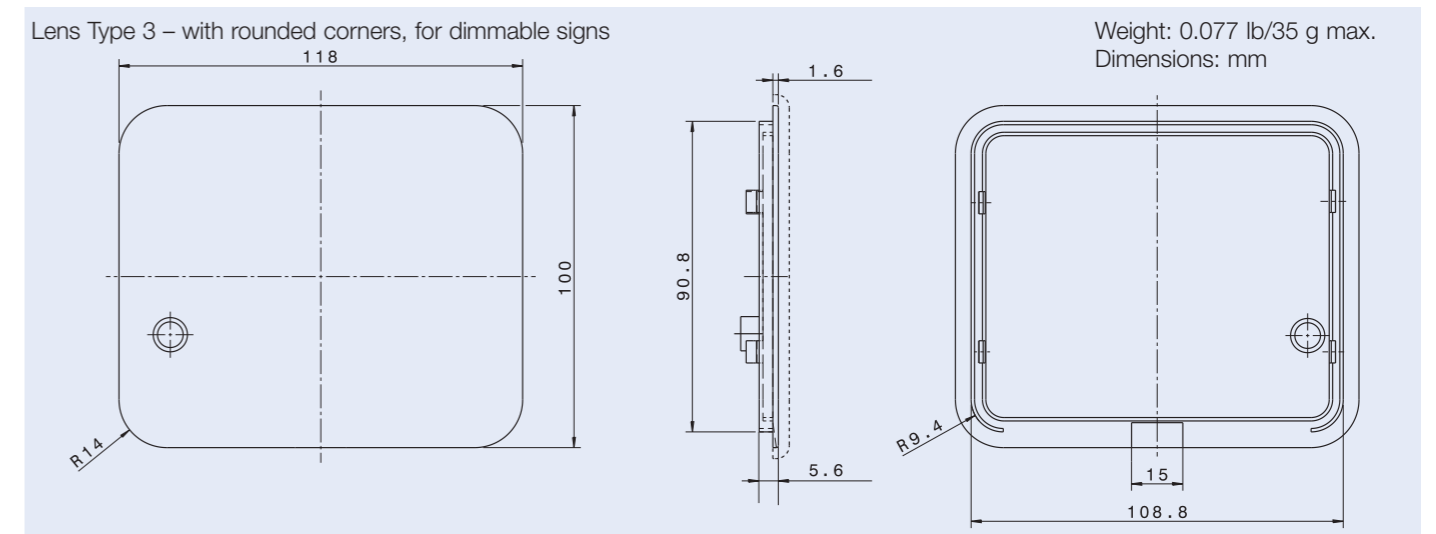
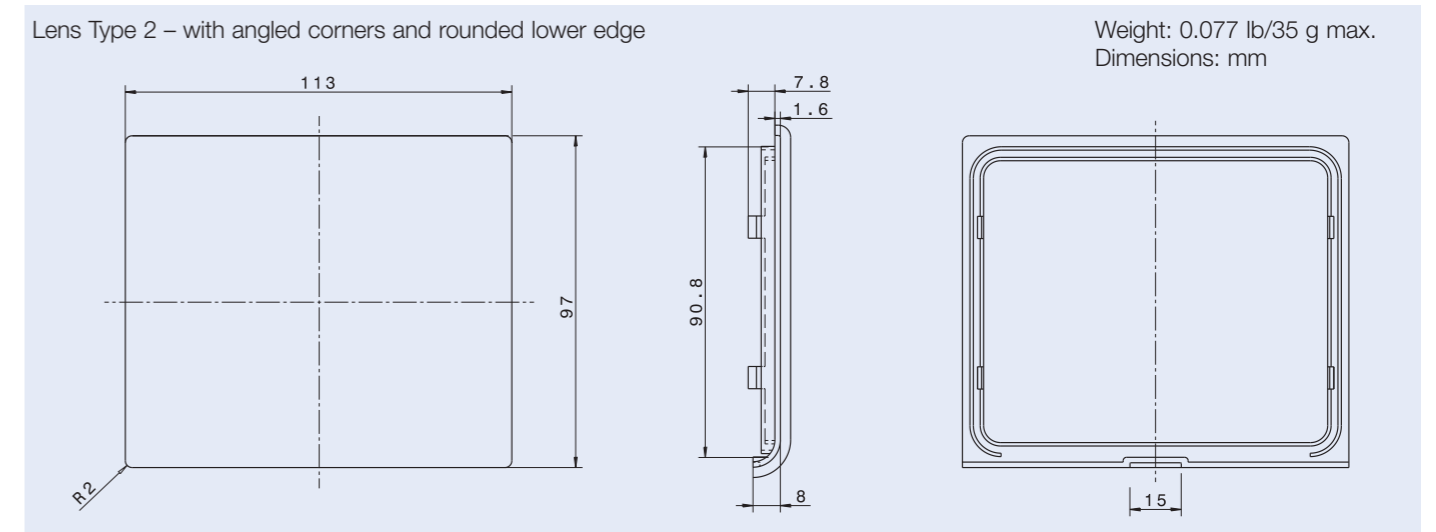
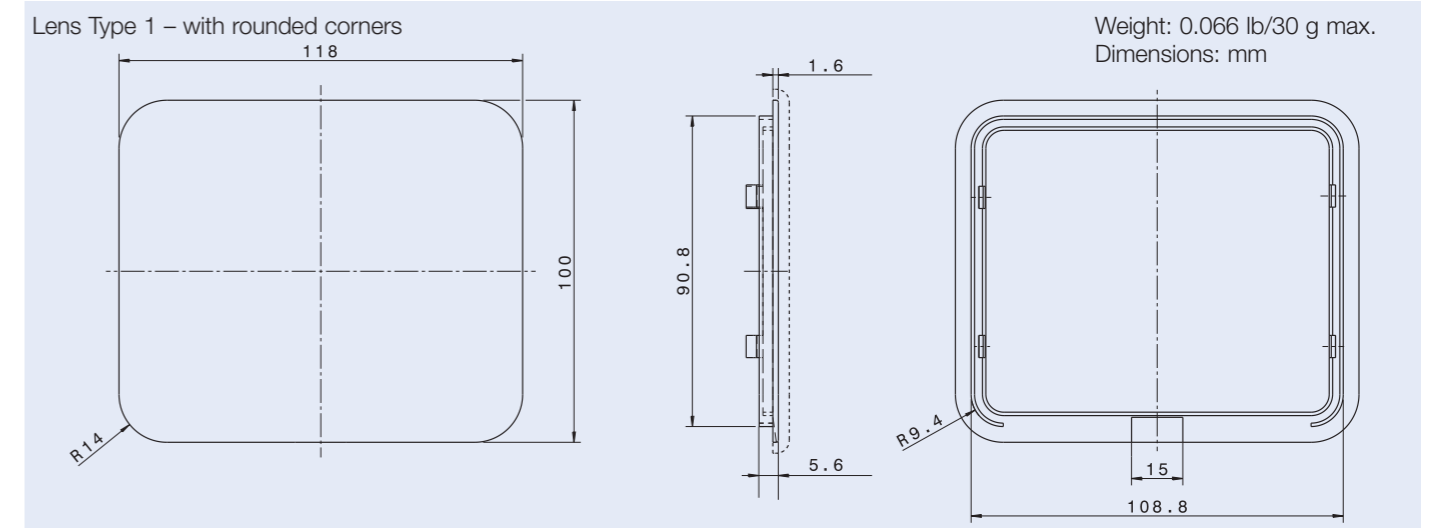
Lenses are fixed to the housings by simply clipping them on. This eases cleaning and replacement and offers operators flexibility.

## Customized solutions available on request

Customization options comprise the redesign of a pictogram already available, the creation of new symbol and the implementation of individual brand or country-specific attributes into the design. The figures on the "Lavatory occupied" lens for example can feature the traditional attire of the airline's country of origin. UTC Aerospace Systems is pleased to develop individual solutions for your specific requirements.



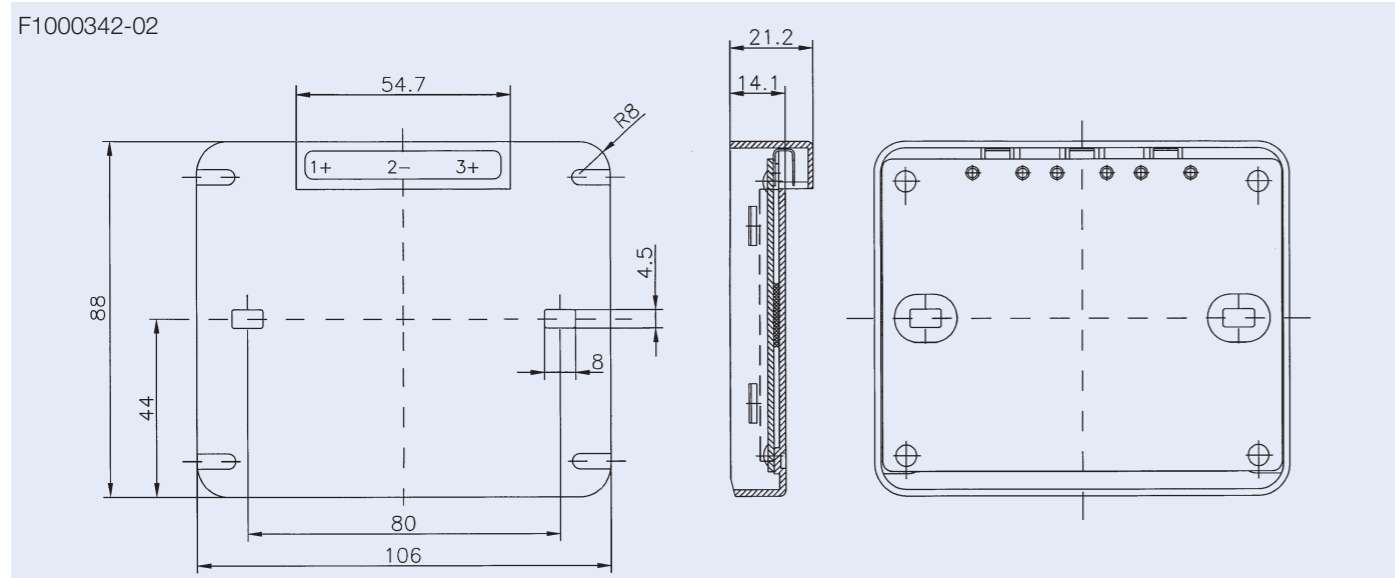
# Information Sign Lenses | Types and colors



## Lens colors

Information sign lenses can be offered in a wide range of colors. While this variant table lists a choice of the most popular colors, further lens colors are available on request. Please contact us to check availability and further options.

Variant	Lens color	Variant	Lens color
-03	grey cloud	-25	blanc granite
-05	pepperdust	-26	fog
-13	beige 870	-28	parasol beige
-23	dream grey	-31	warm silver
-24	white 7362	-36	jana white

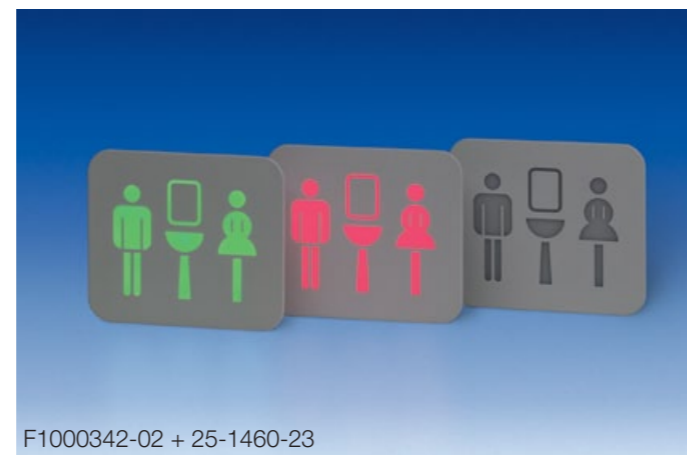


**Technical Data:**

- Operating Voltage: 28 VDC
- Operating Current: 0.144 A max. per circuit
- Power Consumption: 4 W max. per circuit
- Lifetime: ~ 30,000 operating hours
- Light Color: red/green
- Connection: mates with connector AMP 170324-2 and cover AMP 928083-1
- Dimensions: 4.17" x 3.46" x 0.83" / 106 x 88 x 21.2 mm
- Weight: 0.165 lb/75 g max. (without lens)



F1000342-02 + 25-1457-1



F1000342-02 + 25-1460-23



F1000342-02 + 25-1604-29



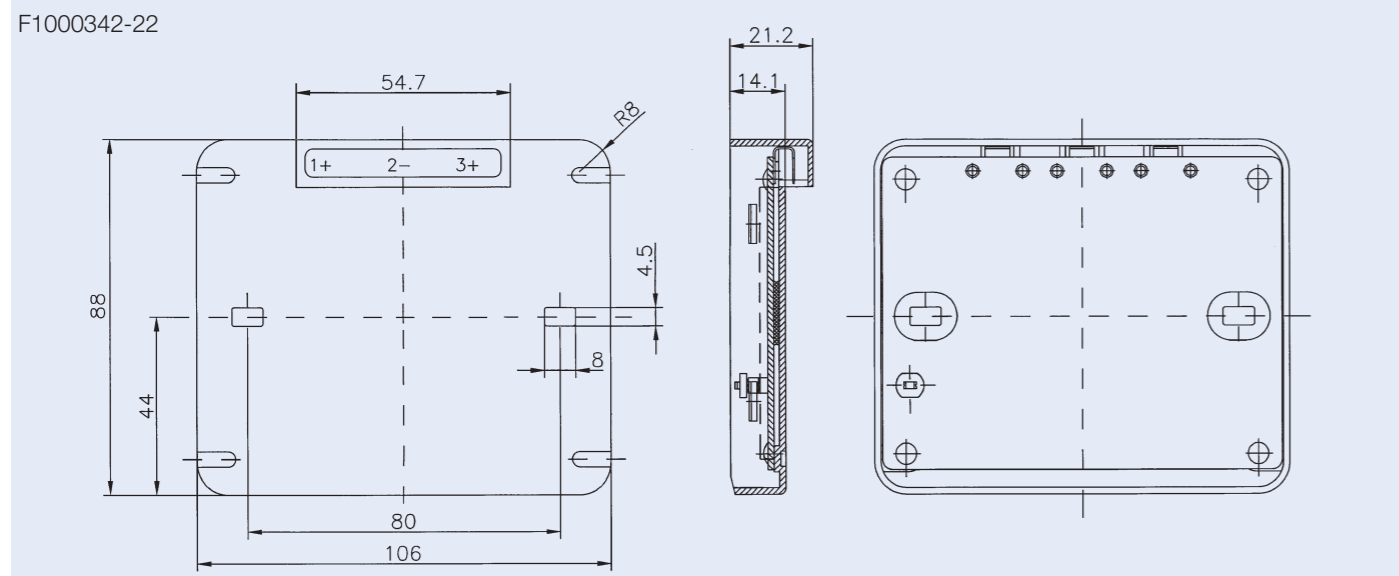
F1000342-02 + 25-1612-13

Part-Number*	Print	Type*	Remarks	Part-Number*	Print	Type*	Remarks
25-1456-XX		2	• Pictogram invisible when not illuminated (except variants -01, -07, -17 and -23)	25-1487-XX		1	• Pictogram invisible when not illuminated
25-1457-XX		2	• Pictogram invisible when not illuminated • Cross visible when red illuminated	25-1601-XX		1	• Pictogram invisible when not illuminated
25-1460-XX		1	• Pictogram visible when not illuminated	25-1602-XX		1	• Pictogram invisible when not illuminated
25-1460-15		1	• Pictogram visible when not illuminated	25-1603-XX		1	• Pictogram invisible when not illuminated
25-1462-XX		1	• Pictogram invisible when not illuminated	25-1604-XX		1	• Pictogram invisible when not illuminated
25-1474-XX		1	• Pictogram invisible when not illuminated	25-1605-XX		1	• Pictogram invisible when not illuminated
25-1477-XX		1	• Pictogram invisible when not illuminated	25-1607-XX		1	• Pictogram visible when not illuminated
25-1482-XX		1	• Pictogram invisible when not illuminated	25-1612-XX		1	• Pictogram invisible when not illuminated
25-1483-XX		1	• Pictogram invisible when not illuminated	25-1613-XX		1	• Pictogram invisible when not illuminated • Cross visible when red illuminated
25-1485-XX		1	• Pictogram invisible when not illuminated	25-1614-XX		1	• Pictogram visible when not illuminated
25-1486-XX		1	• Pictogram invisible when not illuminated				

\* For lens types and colors -XX see page 3.

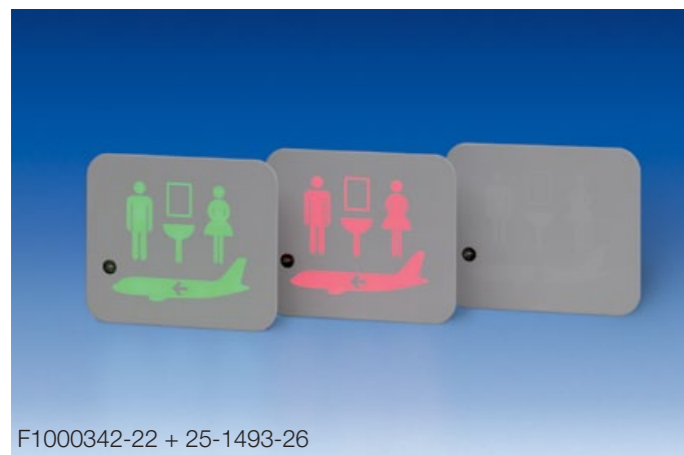
\* For lens types and colors -XX see page 3.





**Technical Data:**

- Operating Voltage: 28 VDC
- Operating Current: 0.144 A max. per circuit
- Power Consumption: 4 W max. per circuit
- Lifetime: ~ 30,000 operating hours
- Light Color: red/green dimmable by integrated brightness sensor
- Connection: mates with connector AMP 170324-2 and cover AMP 928083-1
- Dimensions: 4.17" x 3.46" x 0.83"/ 106 x 88 x 21.2 mm
- Weight: 0.187 lb/85 g max. (without lens)



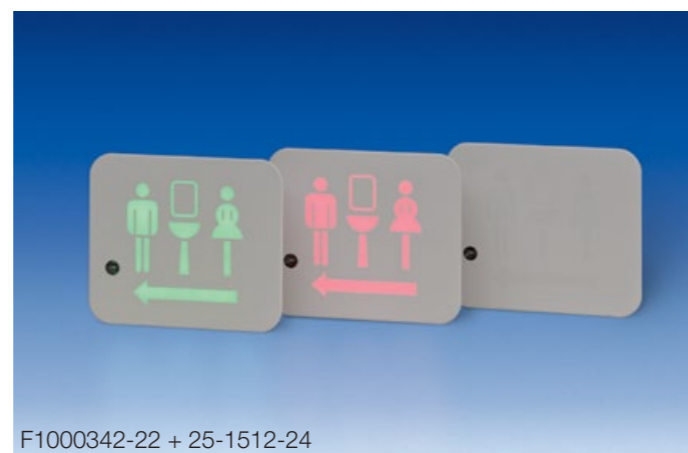
F1000342-22 + 25-1493-26



F1000342-22 + 25-1505-31

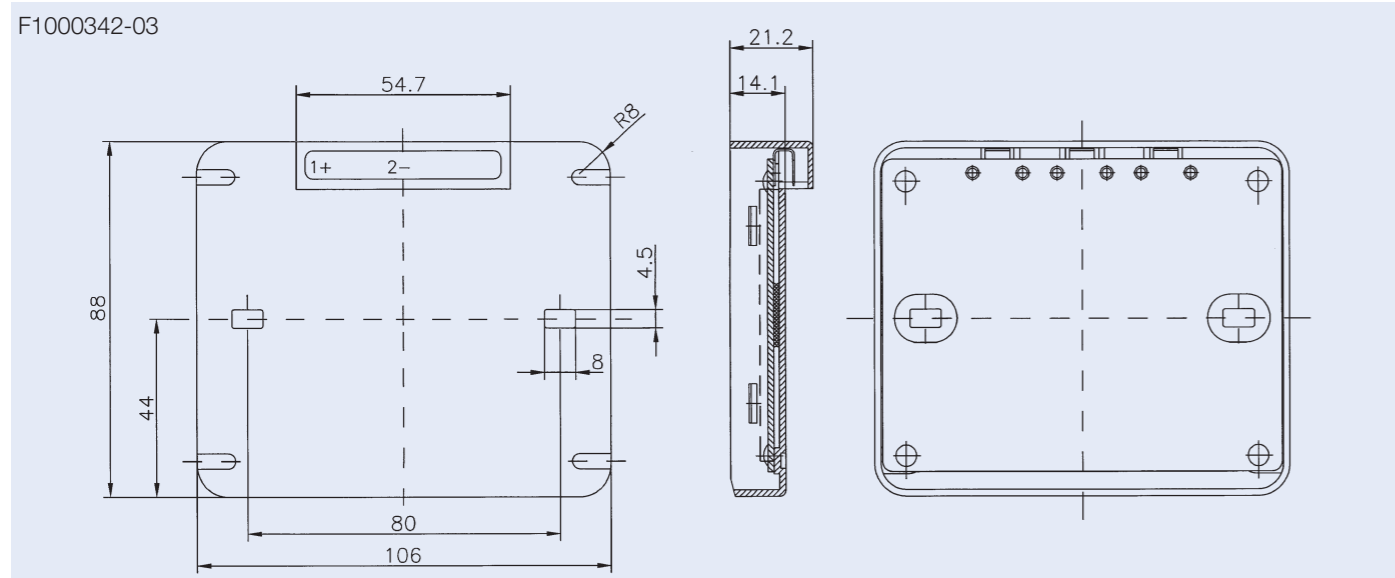


F1000342-22 + 25-1508-23



F1000342-22 + 25-1512-24

Part-Number*	Print	Type*	Remarks	Part-Number*	Print	Type*	Remarks
25-1490-XX		3	• Pictogram invisible when not illuminated	25-1509-XX		3	• Pictogram invisible when not illuminated
25-1491-XX		3	• Pictogram invisible when not illuminated	25-1510-XX		3	• Pictogram invisible when not illuminated
25-1492-XX		3	• Pictogram invisible when not illuminated	25-1511-XX		3	• Pictogram visible when not illuminated
25-1493-XX		3	• Pictogram invisible when not illuminated	25-1512-XX		3	• Pictogram invisible when not illuminated
25-1497-XX		3	• Pictogram invisible when not illuminated	25-1513-XX		3	• Pictogram invisible when not illuminated
25-1498-XX		3	• Pictogram invisible when not illuminated	* For lens types and colors -XX see page 3.			
25-1499-XX		3	• Pictogram invisible when not illuminated				
25-1505-XX		3	• Pictogram visible when not illuminated	* For lens types and colors -XX see page 3.			
25-1506-XX		3	• Pictogram visible when not illuminated				
25-1507-XX		3	• Pictogram invisible when not illuminated	* For lens types and colors -XX see page 3.			
25-1508-XX		3	• Pictogram invisible when not illuminated				



**Technical Data:**

- Operating Voltage: 28 VDC
- Operating Current: 0.144 A max.
- Power Consumption: 4 W max.
- Lifetime: ~ 30,000 operating hours
- Light Color: yellow
- Connection: mates with connector AMP 170324-2 and cover AMP 928083-1
- Dimensions: 4.17" x 3.46" x 0.83" / 106 x 88 x 21.2 mm
- Weight: 0.165 lb/75 g max. (without lens)



F1000342-03 + 25-1463-24



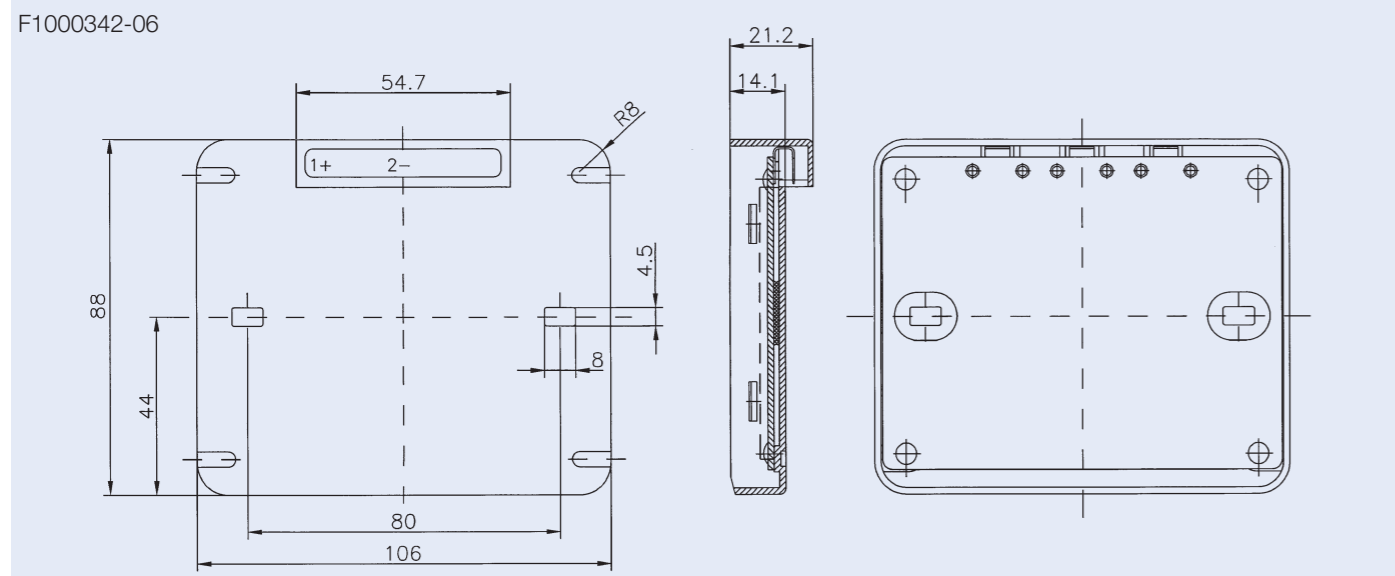
F1000342-03 + 225-1471-26



F1000342-03 + 25-1484-23

Part-Number*	Print	Type*	Remarks
25-1463-XX		1	• Pictogram invisible when not illuminated
25-1468-XX		1	• Pictogram invisible when not illuminated
25-1471-XX		1	• Pictogram invisible when not illuminated
25-1484-XX		1	• Pictogram invisible when not illuminated
25-1486-XX		1	• Pictogram invisible when not illuminated
25-1488-XX	DON OXYGEN MASK	1	• Pictogram invisible when not illuminated
25-1489-XX		1	• Pictogram invisible when not illuminated • Cross red translucent

\* For lens types and colors -XX see page 3.



**Technical Data:**

- Operating Voltage: 28 VDC
- Operating Current: 0.144 A max.
- Power Consumption: 4 W max.
- Lifetime: ~ 30,000 operating hours
- Light Color: white
- Connection: mates with connector AMP 170324-2 and cover AMP 928083-1
- Dimensions: 4.17" x 3.46" x 0.83"/ 106 x 88 x 21.2 mm
- Weight: 0.165 lb/75 g max. (without lens)



F1000342-06 + 25-1600-23



F1000342-06 + 25-1608-23



F1000342-06 + 25-1610-24





F1000342-06 + 25-1611-23

Part-Number*	Print	Type*	Remarks
25-1475-XX		1	<ul style="list-style-type: none"> <li>• Pictogram invisible when not illuminated</li> <li>• Arrow green translucent</li> </ul>
25-1476-XX		1	<ul style="list-style-type: none"> <li>• Pictogram invisible when not illuminated</li> <li>• Cross red translucent</li> </ul>
25-1489-XX		1	<ul style="list-style-type: none"> <li>• Pictogram invisible when not illuminated</li> <li>• Cross red translucent</li> </ul>
25-1600-XX		1	<ul style="list-style-type: none"> <li>• Pictogram invisible when not illuminated</li> <li>• Cross red translucent</li> </ul>
25-1606-XX		1	<ul style="list-style-type: none"> <li>• Pictogram invisible when not illuminated</li> <li>• Cross red translucent</li> </ul>
25-1608-XX		1	<ul style="list-style-type: none"> <li>• Pictogram visible when not illuminated</li> <li>• Prohibition sign translucent</li> </ul>
25-1610-XX		1	<ul style="list-style-type: none"> <li>• Pictogram invisible when not illuminated</li> <li>• Cross red translucent</li> </ul>
25-1611-XX		1	<ul style="list-style-type: none"> <li>• Pictogram invisible when not illuminated</li> <li>• Cross red translucent</li> </ul>

\* For lens types and colors -XX see page 3.

# Information Sign Covers | for all Housings

Part-Number*	Print	Type*	Remarks
25-1472-XX		1	<ul style="list-style-type: none"> <li>• Light tight</li> <li>• Without pictogram</li> </ul>
25-1473-XX		2	<ul style="list-style-type: none"> <li>• Light tight</li> <li>• Without pictogram</li> </ul>

\* For lens types and colors -XX see page 3.

This document does not contain any export controlled technical data.

**For additional information:**

Goodrich Lighting Systems GmbH  
a UTC Aerospace Systems company  
Bertramstrasse 8  
59557 Lippstadt/Germany  
Tel.: +49 2941 7676 0  
Fax: +49 2941 7676 8432

[utcaerospacesystems.com](http://utcaerospacesystems.com)