

# Flight Crew Reading Lights



**UTC Aerospace Systems**

# Best Light for a Challenging Workplace

## Various functions support flight crew

The cockpit represents the most challenging working environment of the entire plane. Operating the aircraft demands the utmost from the flight crew. Therefore, it is indispensable to provide the best possible working conditions, including an elaborate lighting concept.

UTC Aerospace Systems' special Reading Lights offer a variety of functions that support the flight crew's work. They always guarantee optimal and precisely focused illumination according to the requirements of the respective task.

All lights that can be reached while seated offer built in adjustment capabilities. Lights out of reach have remote control units located in the consoles and accessible while seated. Switches and dimmers grant individual adjustability and dimmability, so that the light beam illuminates exactly what needs to be seen – without affecting other flight crew members.

## LED technology for longer lifetime and cost reduction

UTC Aerospace Systems' range of Flight Crew Reading Lights includes a number of LED variants that feature a long lifetime, low power consumption, low maintenance effort, high resistance to shock and vibration as well as room temperature at touchable parts.



UTC Aerospace Systems' special Reading Lights always guarantee optimal and precisely focused illumination that supports the flight crew's work at the best. This Map Reading Light 2LA455453-XX (see page 4) is dimmable, its rectangular illuminated area can be scaled, and the light beam direction is adjustable.



State-of-the-art LED technology on board the Bombardier Global 5000/6000: The Cockpit and Workstation Lights 2LA456026-00/-10 (see page 6) are mounted on the window frame to the left and right of the front pane.

Image provided courtesy of Bombardier Inc.

UTC Aerospace Systems has more than 20 years of experience in the use of LED technology and was the first to develop an LED reading light for series production in aircraft. Since then, the company has produced more than 500,000 lights – always focusing research into providing lighting systems that promote the highest levels of passenger comfort.

# Captain's LED Map Light 2LA455862-05

## Observer's LED Map Light 2LA455862-06



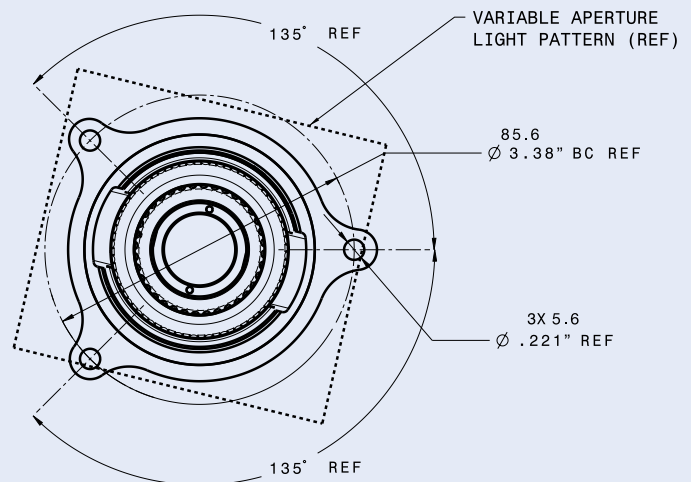
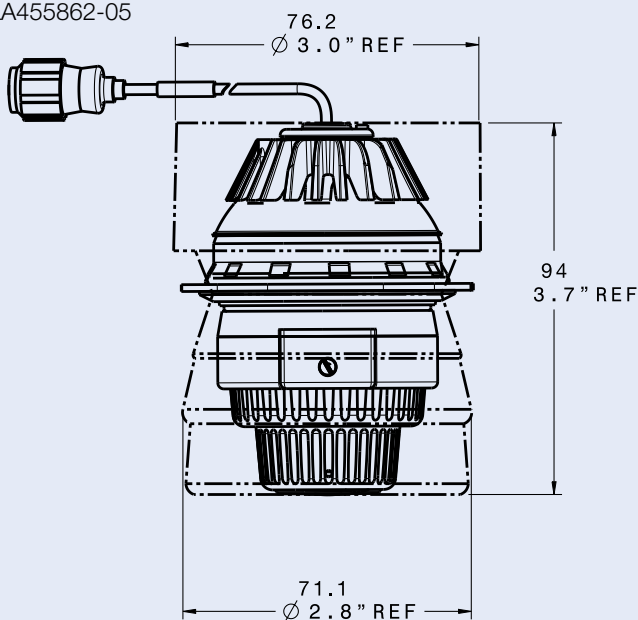
2LA455862-05

- Switching on and off and Dimming by turning the front rheostat ring
- Scaling the illuminated area by turning the rear adjustment ring
- Setting the light beam direction by turning the housing in any direction
- Rectangular illuminated area

### Technical Data:

- Operating Voltage: 4.5 V DC
- Operating Current: 500 mA
- Power Consumption: 2.3 W max.
- Light Source: LED
- Light Color: White
- Illuminated Area:  
min. 119 mm/4.7", max. 355.6 mm/14" square  
@ 914.4 mm/36" installation height
- Light Beam:  
adjustable up to 20° off vertical line
- Connector: Glenair Plug Connector  
801-007-16M6-7PB
- Weight:  
0.231 kg/0.51 lbs max. (-05)  
0.222 kg/0.49 lbs. max. (-06)

2LA455862-05



Installation Information

# Map Reading Light 2LA455453-XX



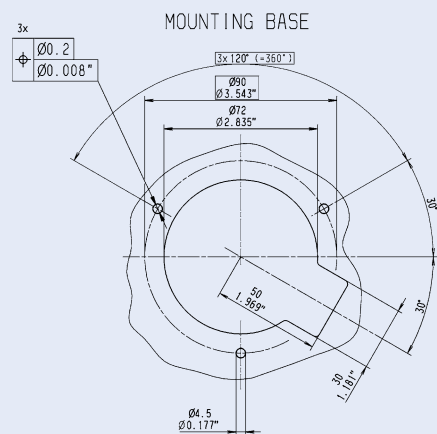
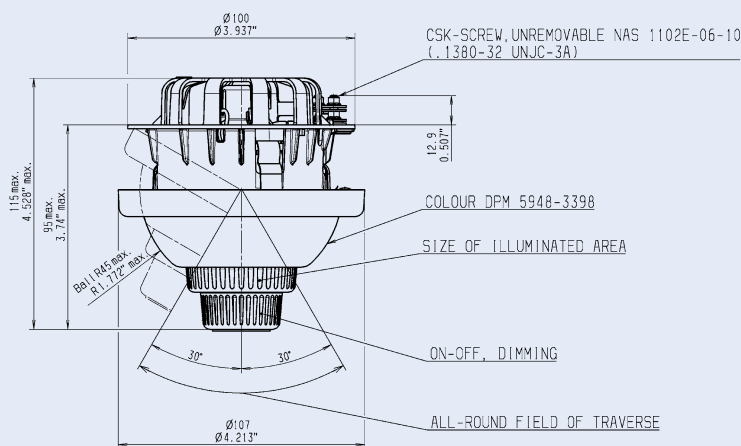
2LA455453-00

- Switching on and off and Dimming by turning the front rheostat ring
- Scaling the illuminated area by turning the rear adjustment ring
- Setting the light beam direction by turning the housing in any direction
- Rectangular illuminated area

### Technical Data:

- Operating Voltage: 28 V DC
- Operating Current: 410 mA ± 7%
- Power Consumption: 11.5 W
- Light Source: Halogen Lamp 8GH004554-28, 133 lm ± 13 %, 2,000 h
- Light Color: White
- Weight: 0.380 kg/0.838 lbs max.
- Further Data: see variant table

2LA455453-00



Part-Number	Color of Housing	Size of Housing	Adjustability Light Beam off vertical line	Illuminated Area	Remarks
2LA455453-00	Grey	Ø 107 mm/4.213"	30°	min. 117 mm/4.606", max. 380 mm/14.961" square @ 914 mm/35.984" installation height	With Spare Bulb
2LA455453-05	Grey Blue	Ø 89 mm/3.504"	25°	min. 100 mm/3.937", max. 370 mm/14.567" square @ 900 mm / 35.433" installation height	
2LA455453-06	Black	Ø 89 mm/3.504"	25°	min. 100 mm/3.937", max. 370 mm/14.567" square @ 900 mm / 35.433" installation height	
2LA455453-15	Black	Ø 89 mm/3.504"	25°	min. 117 mm/4.606", max. 380 mm/14.961" square @ 914 mm / 35.984" installation height	
2LA455453-20	Grey	Ø 89 mm/3.504"	30°	min. 100 mm/3.937", max. 370 mm/14.567" square @ 900 mm / 35.433" installation height	With Flying Leads
2LA455453-50	Grey Blue	Ø 107 mm/4.213"	30°	min. 117 mm/4.606", max. 380 mm/14.961" square @ 914 mm / 35.984" installation height	With Spare Bulb

# Wall mounted Flight Crew Reading Lights 2LA004968-XX and 2LA005614-00

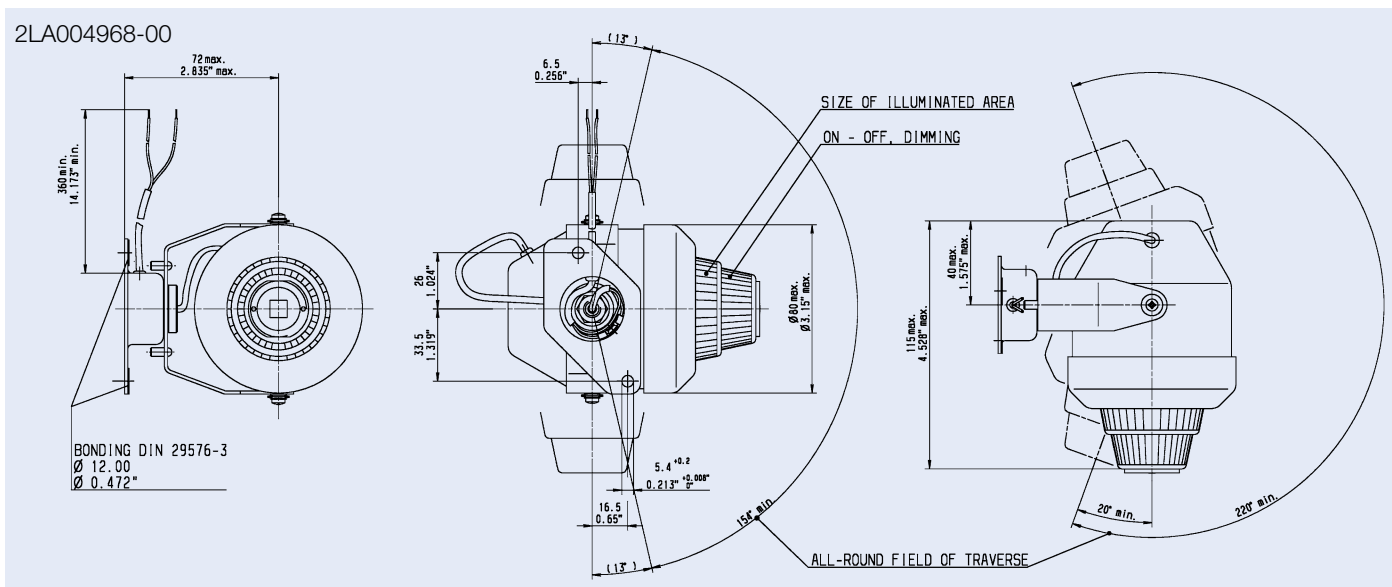


2LA004968-00

- Switching on and off and Dimming by turning the front rheostat ring
- Scaling the illuminated area by turning the rear adjustment ring
- Setting the light beam direction by turning the housing
- Rectangular illuminated area

### Technical Data:

- Operating Voltage: 28 V DC
- Housing Color: Black
- Illuminated Area: min. 100 mm/3.937", max. 370 mm/14.567" square @ 900 mm/35.433" installation height
- Further Data: see variant table



Part-Number	Operating Current	Light Source	Light Color	Adjustability Light Beam off neutral position	Weight	Remarks
2LA004968-00	410 mA ± 4.3 %	Halogen Lamp 8GH004554-28; 11.5 W, 2,000 h	White	154°/220°	0.290 kg/ 0.639 lbs max.	Length of Lead: 360 mm/ 14.173" min.
2LA004968-50	178 mA ± 10 %	Incandescent Lamp 8GP002067-24; 5 W, 300 h	NVIS White	130°/220°	0.320 kg/ 0.705 lbs max.	Length of Lead: 360 mm/ 14.173" min.; With Map Reading Filter
2LA004968-55	178 mA ± 10 %	Incandescent Lamp 8GP002067-24; 5 W, 300 h	NVIS White	130°/220°	0.340 kg/ 0.750 lbs max.	Length of Lead: 360 mm/ 14.173" min.
2LA004968-60	178 mA ± 10 %	Incandescent Lamp 8GP002067-24; 5 W, 300 h	NVIS Green	130°/220°	0.320 kg/ 0.705 lbs max.	Length of Lead: 360 mm/ 14.173" min.
2LA004968-75	410 mA ± 4.3 %	Halogen Lamp 8GH004554-28; 11.5 W, 2,000 h	NVIS Green	130°/220°	0.320 kg/ 0.705 lbs max.	Length of Lead: 360 mm/ 14.173" min.
2LA004968-80	178 mA ± 10 %	Incandescent Lamp 8GP002067-24; 5 W, 300 h	NVIS Green	315°/220°	0.320 kg/ 0.705 lbs max.	Length of Lead: 360 mm/ 14.173" min.
2LA005614-00	410 mA ± 7.3 %	Halogen Lamp 8GH004554-28; 11.5 W, 2,000 h	White	160°/220°	0.320 kg/ 0.705 lbs max.	Length of Lead: 1,525 mm/ 60.039" min.; With two spare bulbs

# LED Cockpit and Workstation Lights 2LA456026-XX



2LA456026-00

- Mounted on the window frame to the left and right of the front pane
- Flood or Spot Light: Beam Spread scalable 12 to 42° by turning the front ring
- Switching on and off and dimming by turning the rear ring
- Setting the light beam direction by turning the housing
- Changing between white and red mode by pushing a button (only -00)

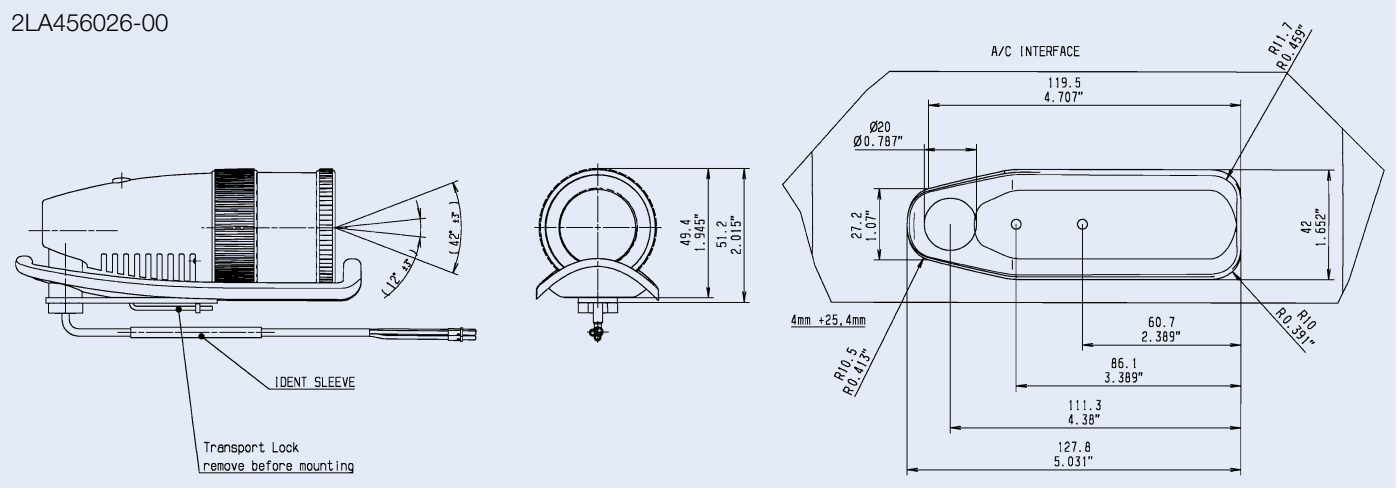
## Technical Data 2LA456026-00:

- Operating Voltage: 28 V DC
- Operating Current:  
White Mode: 35 mA max.  
Red Mode: 15 mA max.
- Light Color: Dual Mode: White/Red
- Light Intensity:  
White: 215 lx + 30 %  
Red: 16 lx + 30 %
- Illuminated Area:  
min. 68 mm/2.71", max. 251.4 mm/9.898" Ø  
@ 327.5 mm/12.892" installation height
- Lifetime: 10,000 h
- Housing Color: Black
- Connection: Lead 152.4 mm + 25.4 mm/6" + 1"
- Weight: 0.285 kg/0.63 lbs max.

## Technical Data 2LA456026-10:

- Operating Voltage: 28 V DC
- Operating Current: 35 mA max.
- Light Color: White
- Light Intensity: 215 lx + 30 %
- Illuminated Area:  
min. 68 mm/2.71", max. 251.4 mm/9.898" Ø  
@ 327.5 mm/12.892" installation height
- Lifetime: 10,000 h
- Housing Color: Black
- Connection: Lead 508 mm + 25.4 mm/20" + 1"
- Weight: 0.275 kg/0.6 lbs max.

2LA456026-00



# Ceiling Mounted Flight Crew Reading Lights 2LA005163-XX

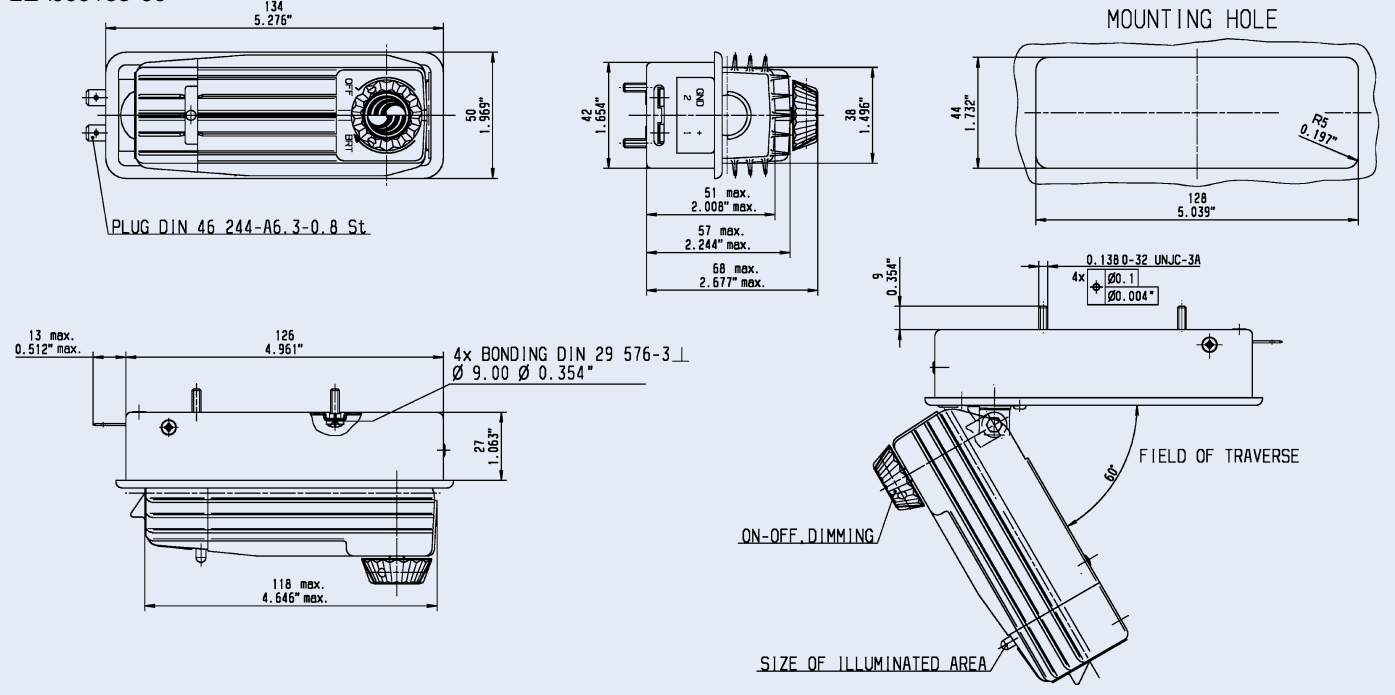


- Mounted on the window frame to the left and right of the front pane
- Switching on and off and dimming by turning a rheostat
- Setting the size of the illuminated area with a diaphragm
- Setting the light beam direction by turning the housing

### Technical Data:

- Operating Voltage: 28 V DC
- Operating Current: 410 mA + 4.3%/-6.3% (180 mA +10%/-12% for -61)
- Adjustability of Light Beam off neutral position: 60° vertical/300° horizontal
- Further Data: see variant table

2LA005163-00



Part-Number	Color of Housing	Light Source	Light Color	Illuminated Area	Weight	Connection
2LA005163-00	Grey Blue	Halogen Lamp 8GH004554-28; 11.5 W, 2,000 h	White, NVIS Visible	min. 100 mm/3.937", max. 360 mm/ 14.173" Ø @ 470 mm/18.504" installation height	0.265 kg/0.584 lbs max.	With Plug DIN 46 244-A6.3-0.8 St
2LA005163-25	Black	Halogen Lamp 8GH004554-28; 11.5 W, 2,000 h	White, NVIS Visible	min. 120 mm/4.724", max. 530 mm/ 20.866" Ø @ 470 mm/18.504" installation height	0.270 kg/0.595 lbs max.	With Plug DIN 46 244-A6.3-0.8 St
2LA005163-30	Black	Halogen Lamp 8GH004554-28; 11.5 W, 2,000 h	White, NVIS Visible	min. 100 mm/3.937", max. 360 mm/ 14.173" Ø @ 470 mm/18.504" installation height	0.265 kg/0.584 lbs max.	With Plug DIN 46 244-A6.3-0.8 St
2LA005163-40	Grey	Halogen Lamp 8GH004554-28; 11.5 W, 2,000 h	White, NVIS Visible	min. 100 mm/3.937", max. 360 mm/ 14.173" Ø @ 470 mm/18.504" installation height	0.320 kg/0.705 lbs max.	With leads 508 + 12.7 mm/20" + 0.5"
2LA005163-61	Black Lustreless	Incandescent Lamp 8GP002067-24; 5 W, 200 h	NVIS White, NVIS com- patible	min. 100 mm/3.937", max. 360 mm/ 14.173" Ø @ 470 mm/18.504" installation height	0.285 kg/0.628 lbs max.	With screws

# Observer's LED Utility Light 2LA455870-03/Mounting Base 8GH200013-02

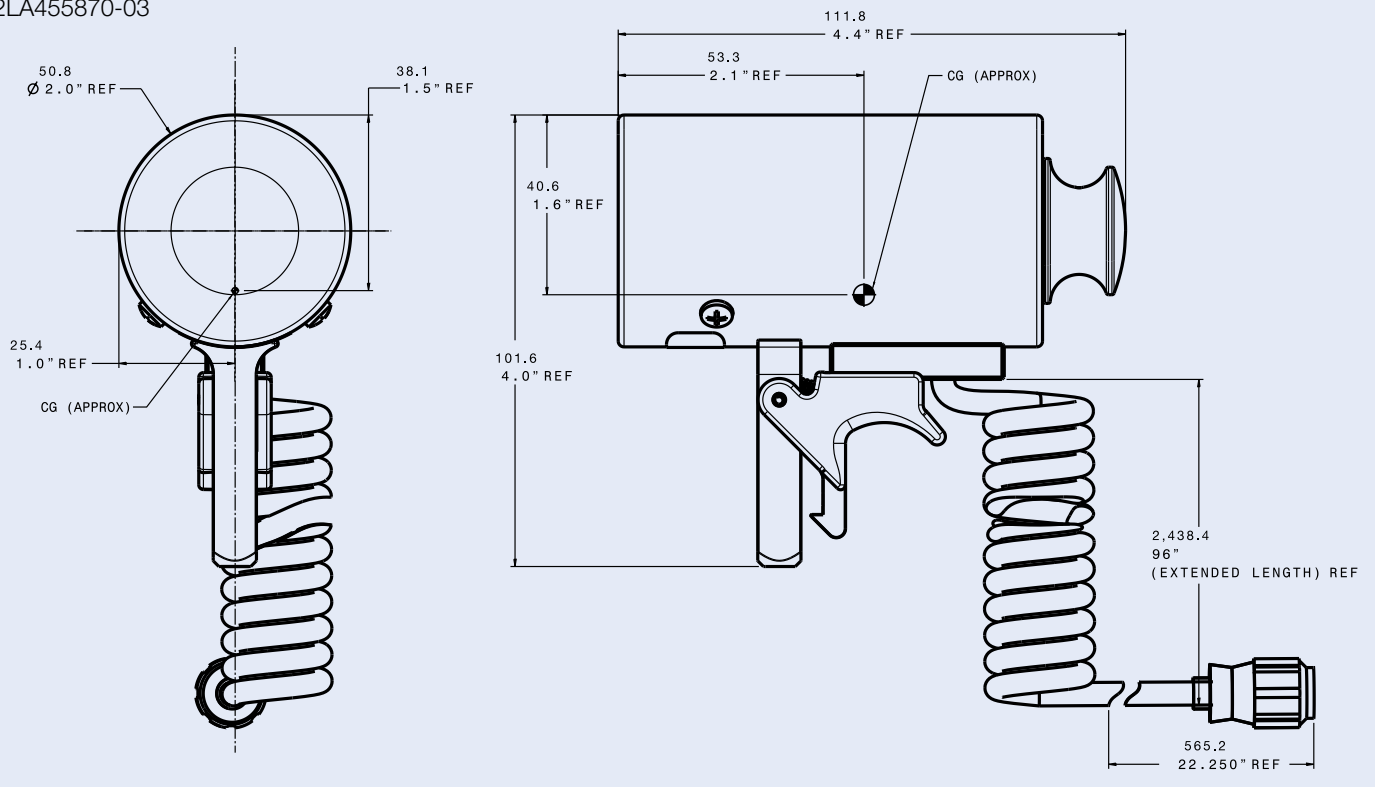


- Switching on and off and continuous dimming by turning a knob
- Optional use as a wander light after taking it off the mounting base

### Technical Data:

- Operating Voltage: 28 V DC
- Operating Current: 0.125 A max. @ 22 V DC
- Light Source: LED, 3.36 W
- Light Color: White
- Weight: 0.449 kg/0.99 lbs max.
- Lead: Extended Length: 2,438.4 mm/96" max. with Connector 801-007-16M6-7PA
- Mounting Base: 8HG200013-02 to be ordered separately

2LA455870-03





# Cockpit Utility Light 2LA002865-XX / Mounting Base 8GH400698-01

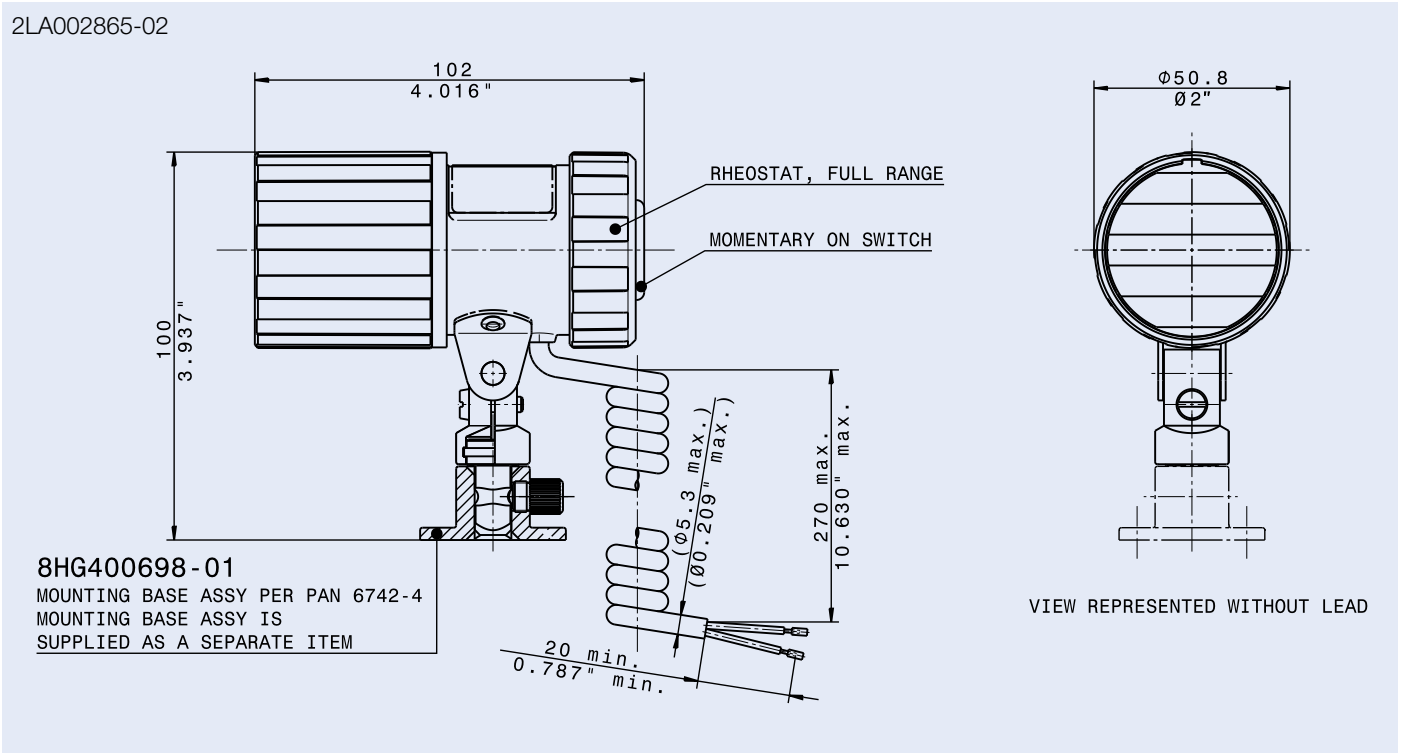


- Switching on and off and dimming by turning a rheostat ring
- Full brightness momentary on switch
- Floodlight or spotlight selectable by turning the front part of the housing
- Optional use as a wander light after taking it off the mounting base

### Technical Data:

- Operating Voltage: 28 V DC
- Dimming: continuous
- Mounting Base: 8HG400698-01 to be ordered separately for -02, -05, -50 and -55; included with -04, -20 and -40
- Further Data: see variant table

2LA002865-02



Part-Number	Operating Current	Light Source	Light Color	Weight	Remarks
2LA002865-02	180 mA ± 10 %	Incandescent Lamp 8GP002067-24; 5 W ± 10%, 35 lm ± 20%, 300 h	White/Red	0.25 kg/ 0.55 lbs max.	Length of Lead: 270 mm/10.630" max. (retracted)
2LA002865-04	170 mA ± 15 %	Incandescent Lamp 8GP002067-24; 5 W ± 10%, 35 lm ± 20%, 300 h	White/Red	0.325 kg/ 0.717 lbs max.	Length of Lead: 405 mm/15.945" max. (retracted)
2LA002865-05	170 mA ± 15 %	Incandescent Lamp 8GP002067-24; 5 W ± 10%, 35 lm ± 20%, 300 h	White/Red	0.30 kg/ 0.66 lbs max.	Length of Lead: 405 mm/15.945" max. (retracted)
2LA002865-20	170 mA ± 15 %	Incandescent Lamp 8GA005006-28; 4.8 W, 36 lm, 500 h	White/NVIS Green A	0.290 kg/ 0.639 lbs max.	Length of Lead: 270 mm/10.630" max. (retracted), 1,260 mm/49.6" (extended);
2LA002865-40	170 mA ± 15 %	Incandescent Lamp 8GP002067-24; 5 W ± 10%, 35 lm ± 20%, 300 h	White	0.290 kg/ 0.639 lbs max.	Length of Lead: 395 mm/15.55" max. (retracted)
2LA002865-50	193 mA max.	Incandescent Lamp 8GP002067-24; 5 W ± 10%, 35 lm ± 20%, 300 h	White, NVIS compatible	0.280 kg/ 0.62 lbs max.	Length of Lead: 270 mm/10.630" max. (retracted); With Map Reading Filter
2LA002865-55	193 mA max.	Incandescent Lamp 8GP002067-24; 5 W ± 10%, 35 lm ± 20%, 300 h	White, NVIS compatible	0.330 kg/ 0.728 lbs max.	Length of Lead: 405 mm/15.945" max. (retracted); With Map Reading Filter

# Chart Holder Light 2LA007078-XX consisting of Light 2LA408353-XX and Control Unit 9BG408324-XX



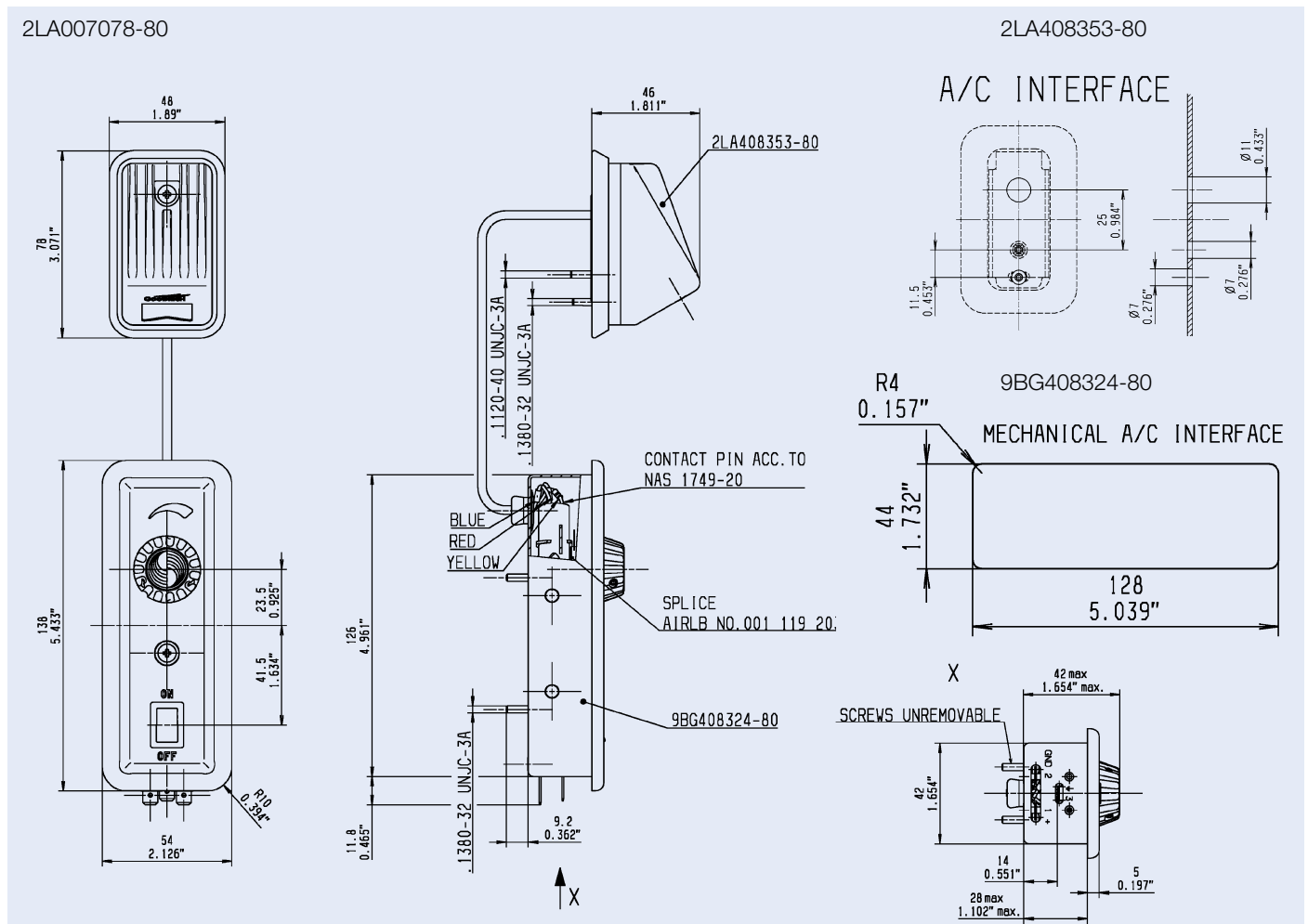
- Light mounted on the wall illuminating a chart holder
- Control Unit mounted in the panel within the flight crew's reach
- Switching on and off by pushing a switch
- Dimming by turning a rheostat

## Technical Data 2LA408353-00:

- Operating Voltage: 28 V DC
- Operating Current: 193 mA max.
- Light Source: Incandescent Lamp 8GA007309-28; 4.8 W, 500 h
- Color of Housing: Grey Blue
- Weight: 0.080 kg/0.176 lbs max.
- To be operated with: Control Unit 9BG408324-00
- Weight (Control Unit): 0.130 kg/0.287 lbs max.

## Technical Data 2LA408353-80:

- Operating Voltage: 28 V DC
- Operating Current: 125 mA ± 20 % max.
- Light Source: LED
- Color of Housing: Grey Blue
- Weight: 0.150 kg/0.331 lbs max.
- To be operated with: Control Unit 9BG408324-80
- Weight (Control Unit): 0.170 kg/0.375 lbs max.



# Pedestal Light 2LA006672-XX



2LA006672-00



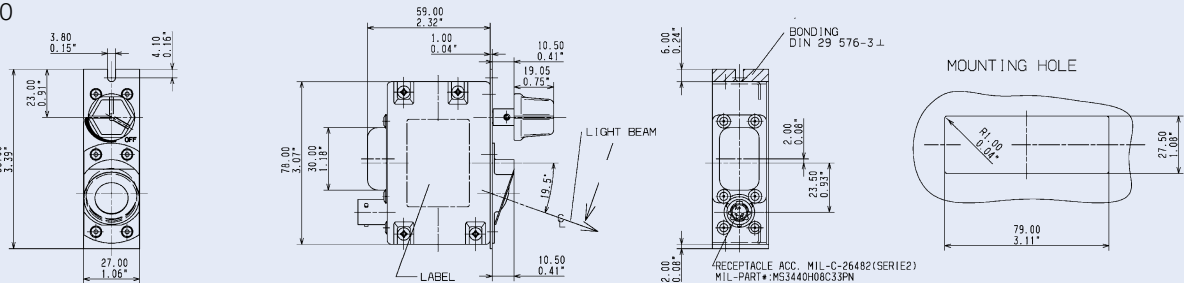
2LA006672-12

- Installed in the cockpit ceiling panels
- Illumination for centre or side pedestals
- Available with rheostat or switch

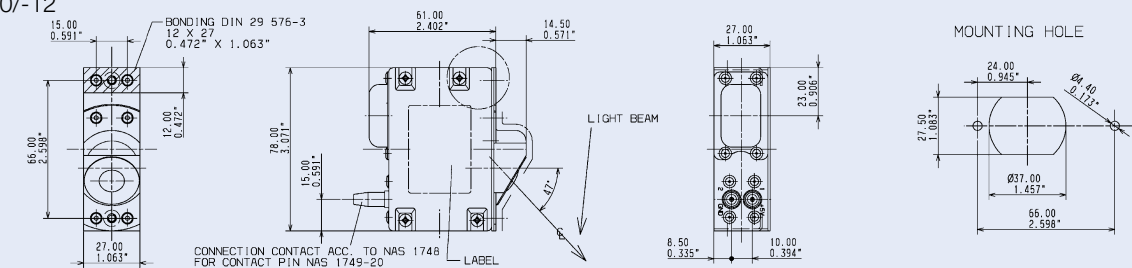
### Technical Data:

see variant table

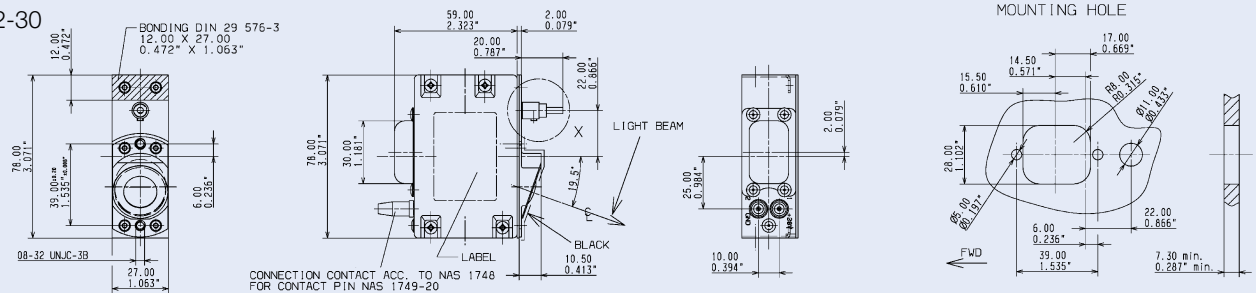
2LA006672-00



2LA006672-10/-12



2LA006672-30



Part-Number	Front Color	Operating Voltage	Operating Current	Light Source	Weight max.	Illuminated Area	Remarks
2LA006672-00	Blue	28 V	410 mA ± 4.3 %	Halogen Lamp 8GH005448-28; 11.5 W, 160 lm, 2,000 h	0.135 kg/ 0.298 lbs	310 mm/12.20" x 260 mm/ 10.24" @ 992 mm/39.06" installation height	with rheostat
2LA006672-10	Black	6 V	560 mA max.	Incandescent Lamp 8GP002067-06; 4 W, 35 lm, 200 h	0.107 kg/ 0.236 lbs	750 mm/29.528" x 320 mm/ 12.598" @ 1,156 mm/45.512" installation height	
2LA006672-12	Dark Grey	28 V	410 mA ± 4.3 %	Halogen Lamp 8GH005448-28; 11.5 W, 160 lm, 2,000 h	0.107 kg/ 0.236 lbs	750 mm/29.528" x 320 mm/ 12.598" @ 1,156 mm/45.512" installation height	
2LA006672-30	Black	28 V	410 mA ± 4.3 %	Halogen Lamp 8GH005448-28; 11.5 W, 160 lm, 2,000 h	0.120 kg/ 0.264 lbs	310 mm/12.20" x 260 mm/ 10.24" @ 992 mm/39.06" installation height	with push button

**For additional information:**  
Goodrich Lighting Systems GmbH  
a UTC Aerospace Systems company  
Bertramstrasse 8  
59557 Lippstadt/Germany  
Tel.: +49 2941 7676 0  
Fax: +49 2941 7676 8432  
Sita: PADHECR  
[www.utcaerospacesystems.com](http://www.utcaerospacesystems.com)